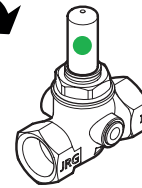
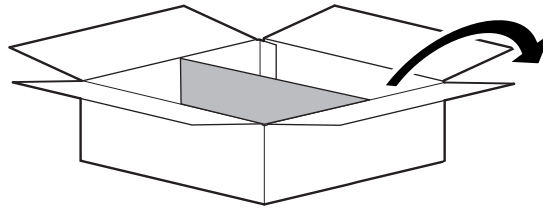
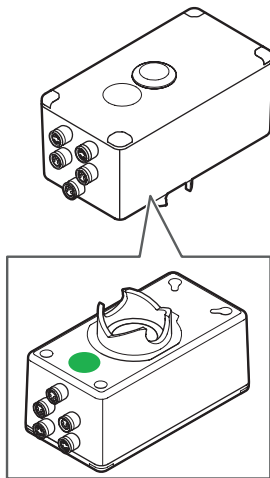
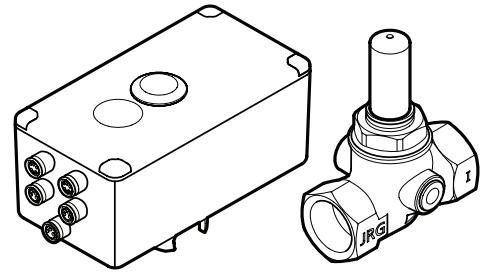
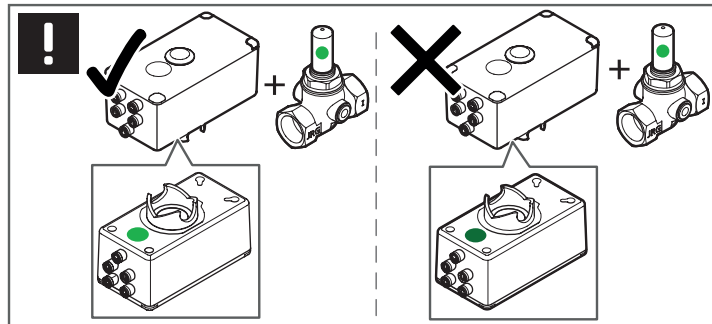


GF Hyclean Flush / Shut off Valve

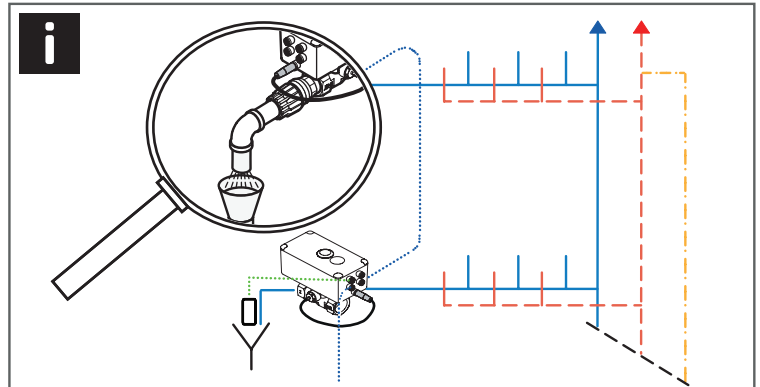
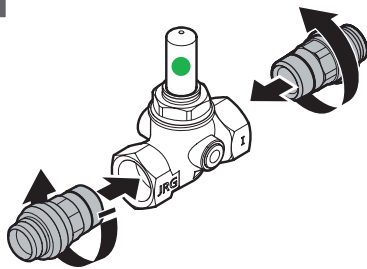
JRG Code 9970.xxx



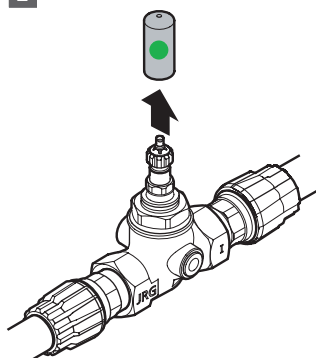
● DN 15
● DN 20



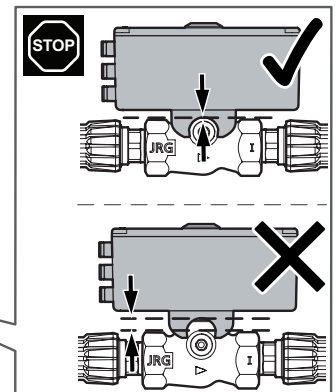
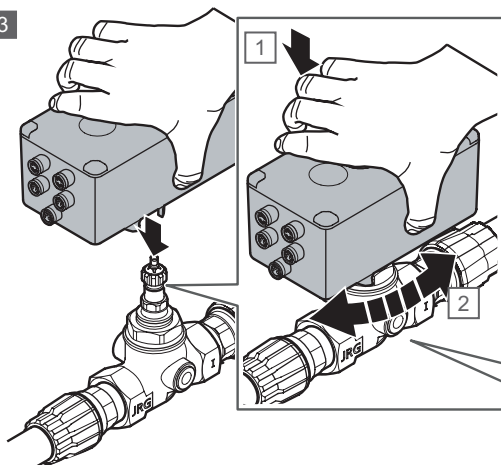
1

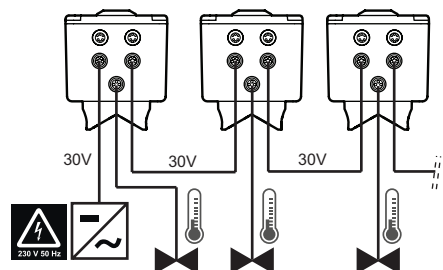
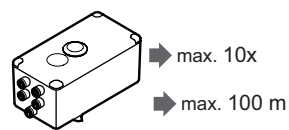
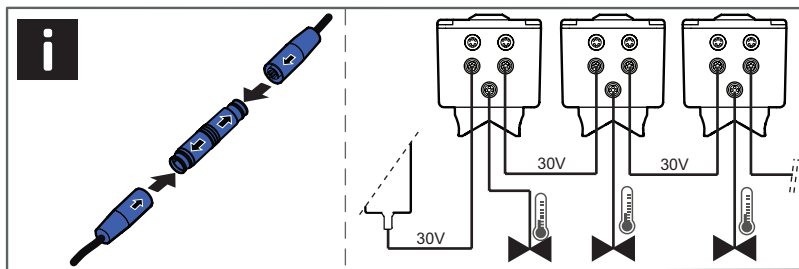
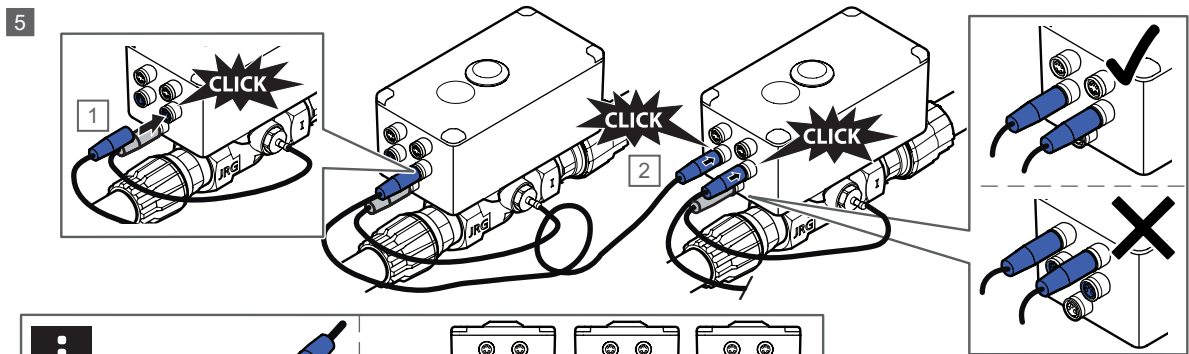
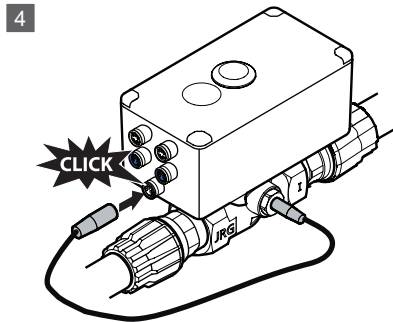
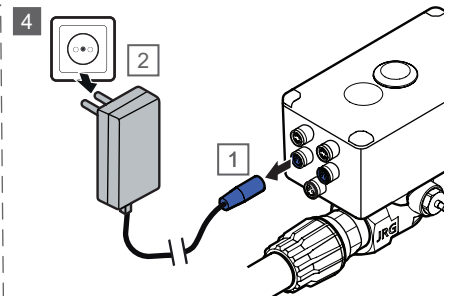
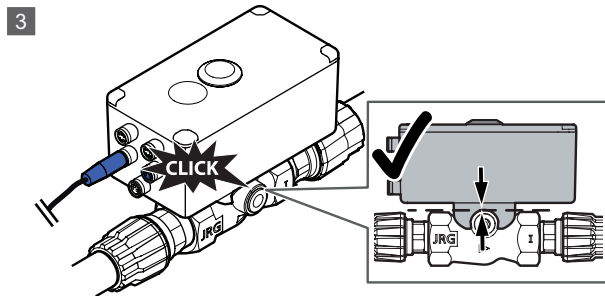
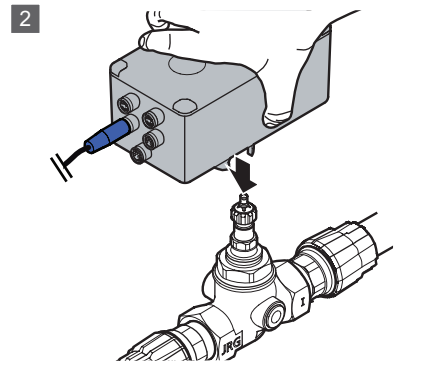
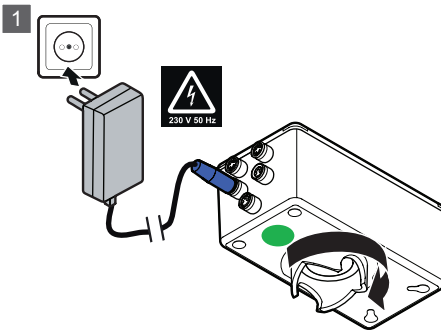
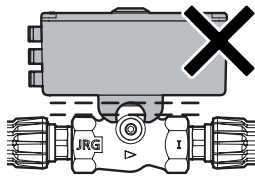


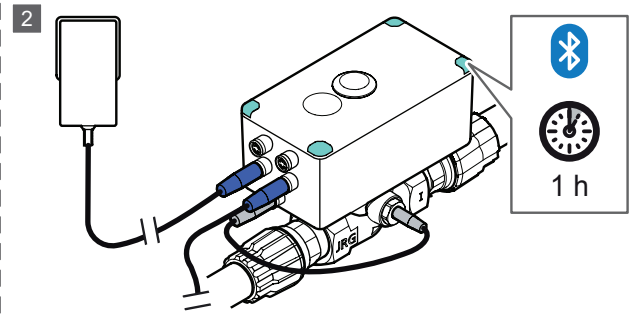
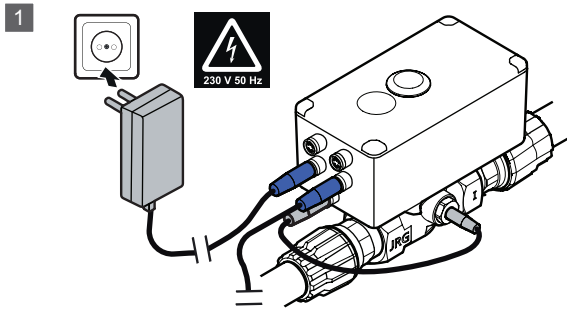
2



3

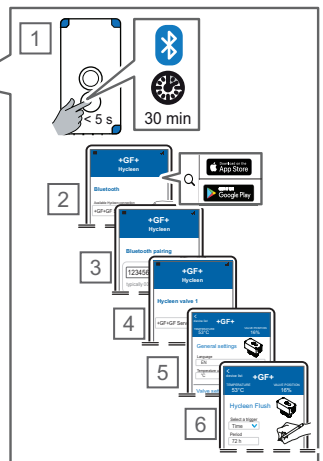
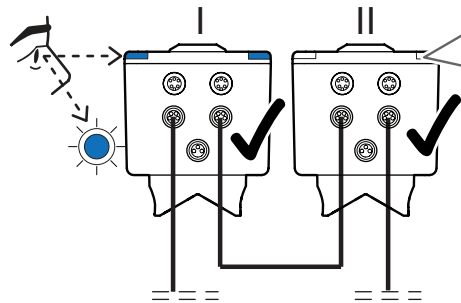
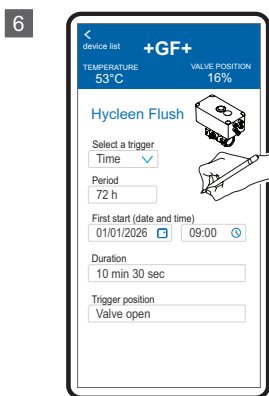
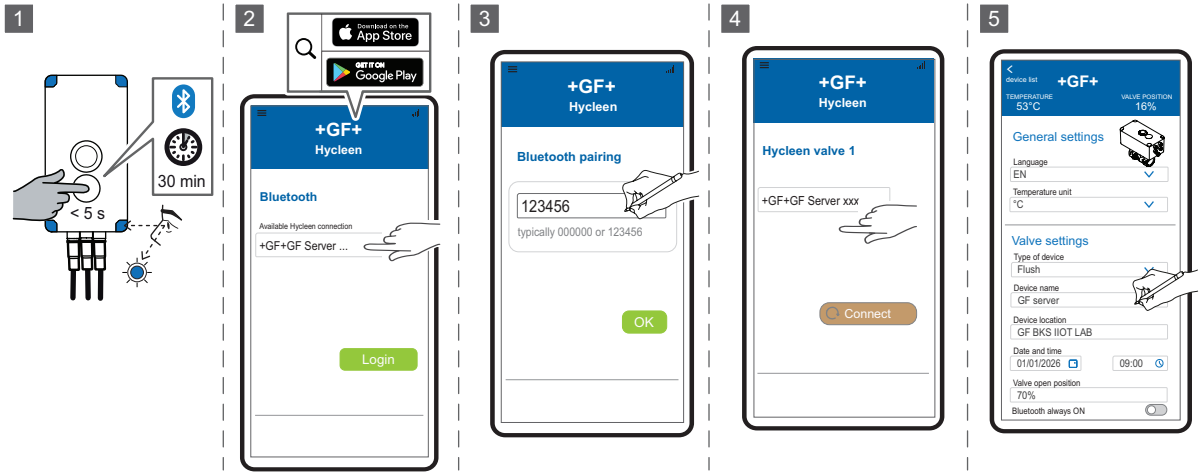
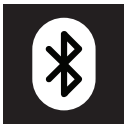


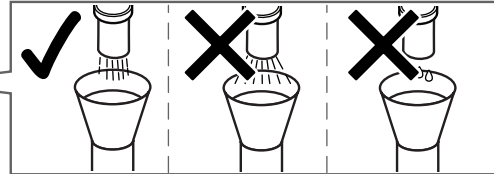
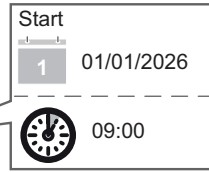
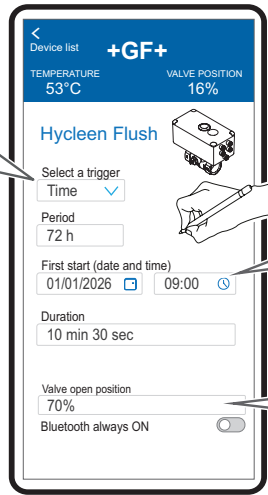
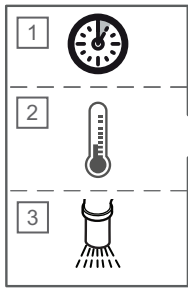




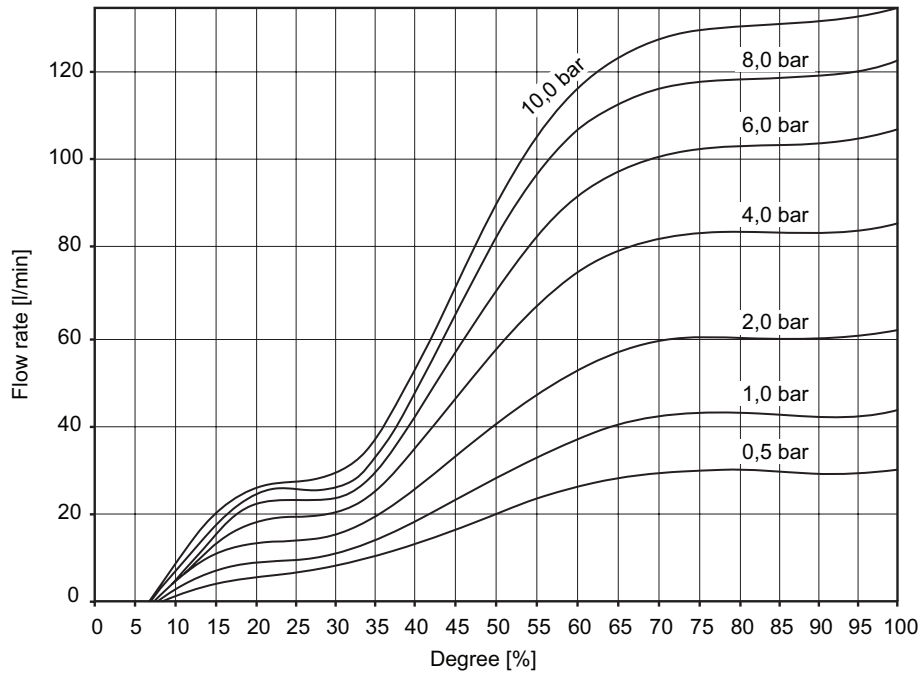
3

	ON	OFF	reboot	reset	standard
	< 5 s	> 5 s < 10 s	> 10 s < 15 s	> 15 s < 20 s	> 20 s

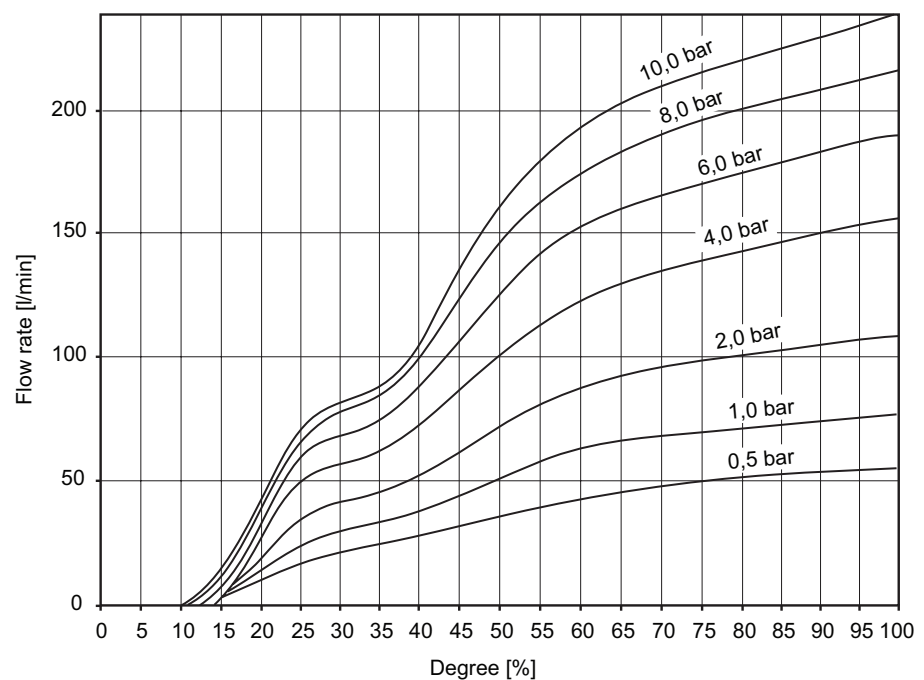


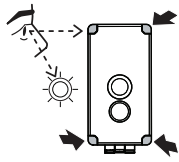


DN 15



DN 20





...

	1x / 30 s	$\vartheta_{24h \text{ goal}} = +/- 2 \text{ }^{\circ}\text{C}$
	2x / 30 s	$\vartheta_{24h \text{ goal}} = +/- 5 \text{ }^{\circ}\text{C}$
	3x / 30 s	$\vartheta_{24h \text{ goal}} = > 5 \text{ }^{\circ}\text{C}$
		Error
		ON
		Flush
		Calibration
		Maintenance

Georg Fischer JRG AG

Hauptstrasse 130
4450 Sissach
Schweiz

351112190/03.26/© Georg Fischer JRG AG

1188162 v1_03_2026

Production: GF / JLI_ASP

Uponor reserves the right to make changes, without prior notification,
to the specification of incorporated components in line with its policy
of continuous improvement and development.



www.uponor.com