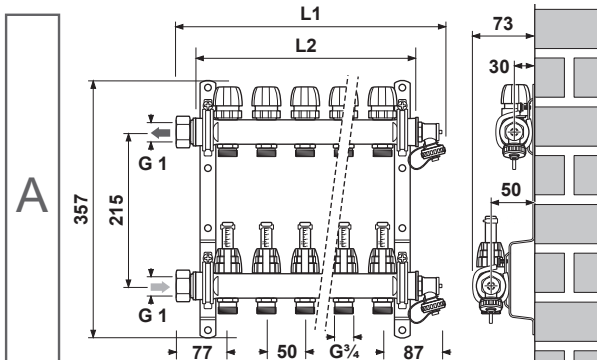
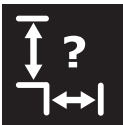
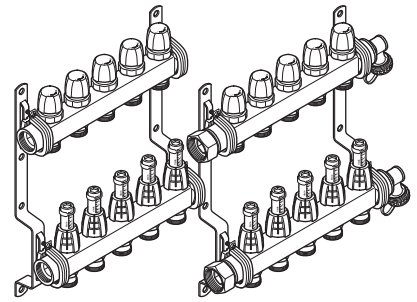
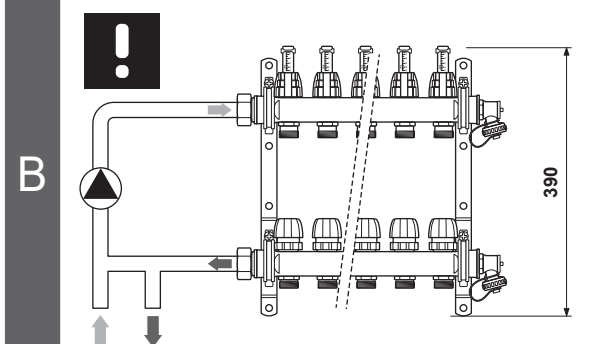


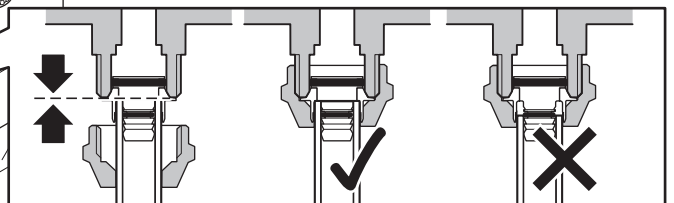
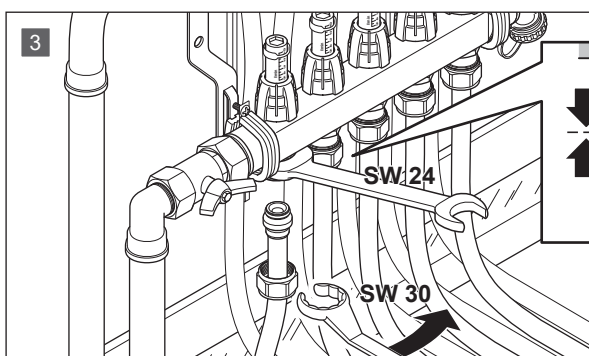
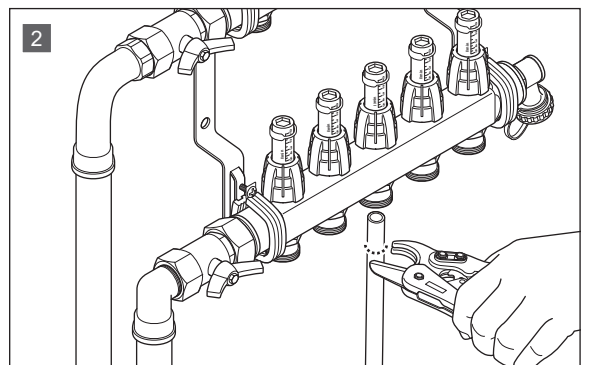
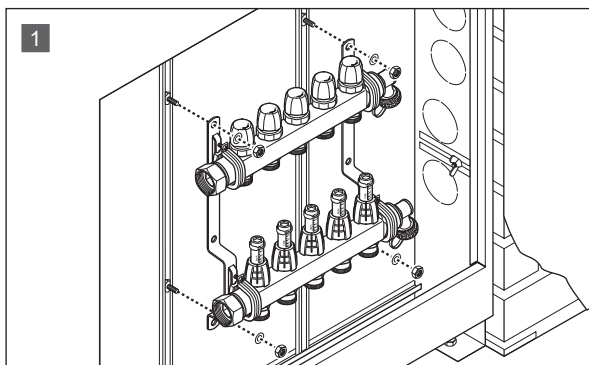
Uponor Vario S Manifold FM



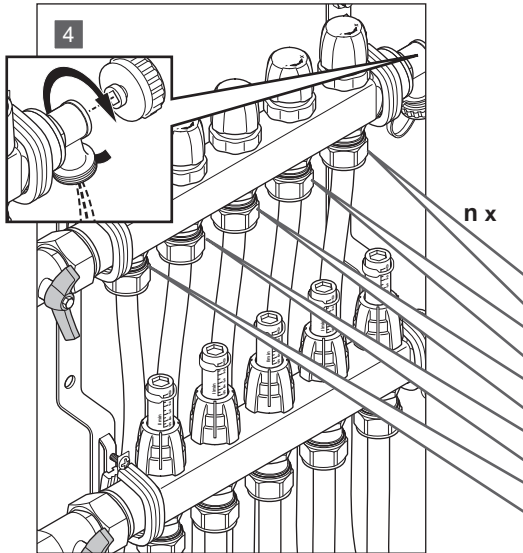
| n | L1 [mm] | L2 [mm] | n | L1 [mm] | L2 [mm] |
|---|---------|---------|----|---------|---------|
| 2 | 214 | 155 | 10 | 614 | 555 |
| 3 | 264 | 205 | 11 | 664 | 605 |
| 4 | 314 | 255 | 12 | 714 | 655 |
| 5 | 364 | 305 | 13 | 764 | 705 |
| 6 | 414 | 355 | 14 | 814 | 755 |
| 7 | 464 | 405 | 15 | 864 | 805 |
| 8 | 514 | 455 | 16 | 914 | 855 |
| 9 | 564 | 505 | | | |



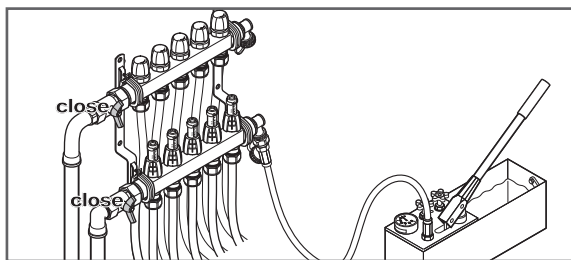
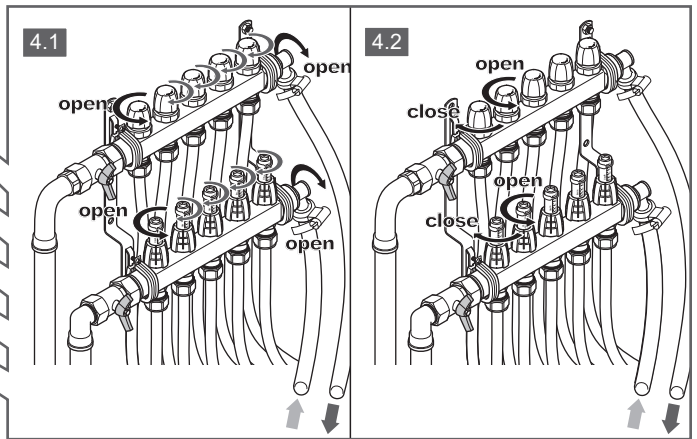
- $\vartheta_{sec} = 15 - 60^{\circ}C$
- $P_{max} = 6 \text{ bar}$
- $P_{test} = 10 \text{ bar}$
- $kvs = 0,95 \text{ m}^3/h$
- $kvs = 2,83 \text{ m}^3/h$
- $\dot{V}_{max} = 3,6 \text{ m}^3/h$ (12 loops)



! max. 25-30 Nm



EN 1264



2 h

P = 4 – 6 bar



A

B

1,5 L/min

1,5 L/min

1,5 L/min

1,5 L/min

Room heating circuit data

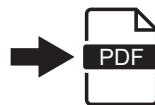
| Room No. | Heating circuit No. | Quantity of pipes |
|----------|---------------------|-------------------|
| 1 | 1 | 2 |
| 1 | 2 | 5 |
| 2 | 3 | 2 |
| 3 | 4 | 4 |
| 4 | 5 | 1,5 |

Room heating circuit data

| Room No. | Heating circuit No. | Quantity of pipes |
|----------|---------------------|-------------------|
| 1 | 1 | 2 |
| 1 | 2 | 5 |
| 2 | 3 | 2 |
| 3 | 4 | 4 |
| 4 | 5 | 1,5 |



Uponor Vario S



www.uponor.com/services/download-centre

Uponor GmbH

Industriestraße 56,
D-97437 Hassfurt, Germany

1143222 v3_06_2026
GF / JLI

Uponor reserves the right to make changes, without prior notification, to the specification of incorporated components in line with its policy of continuous improvement and development.



www.uponor.com