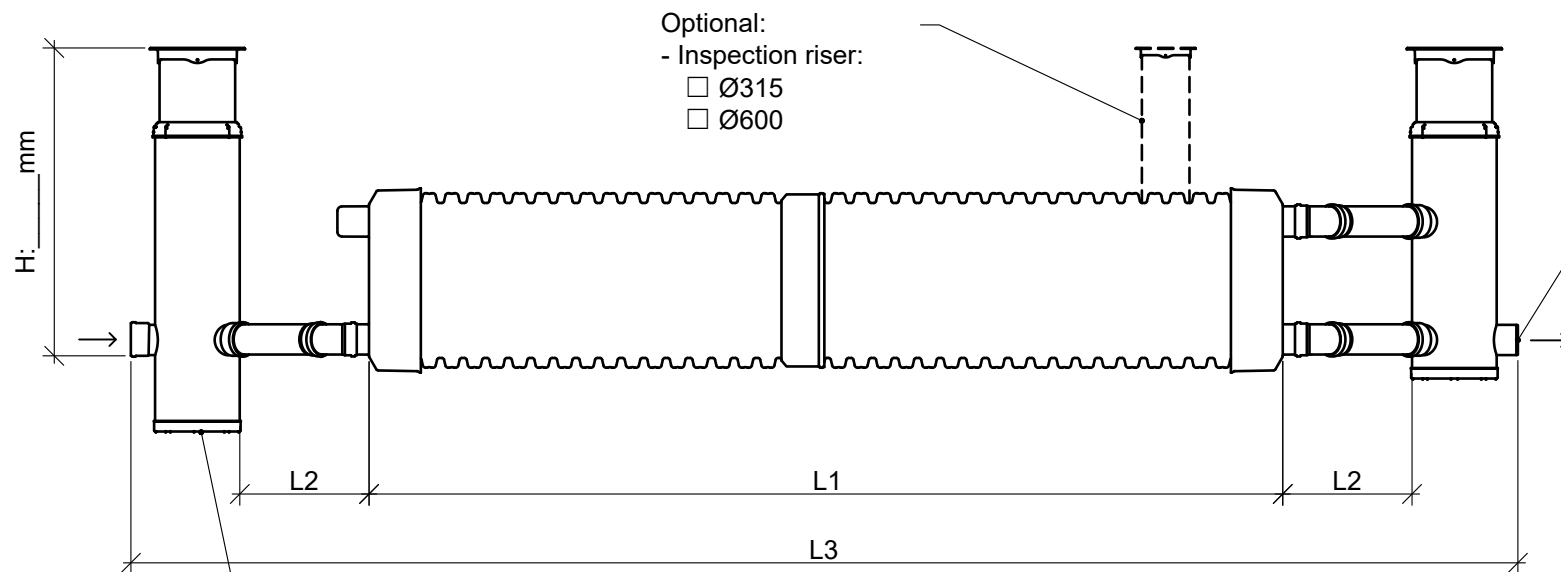
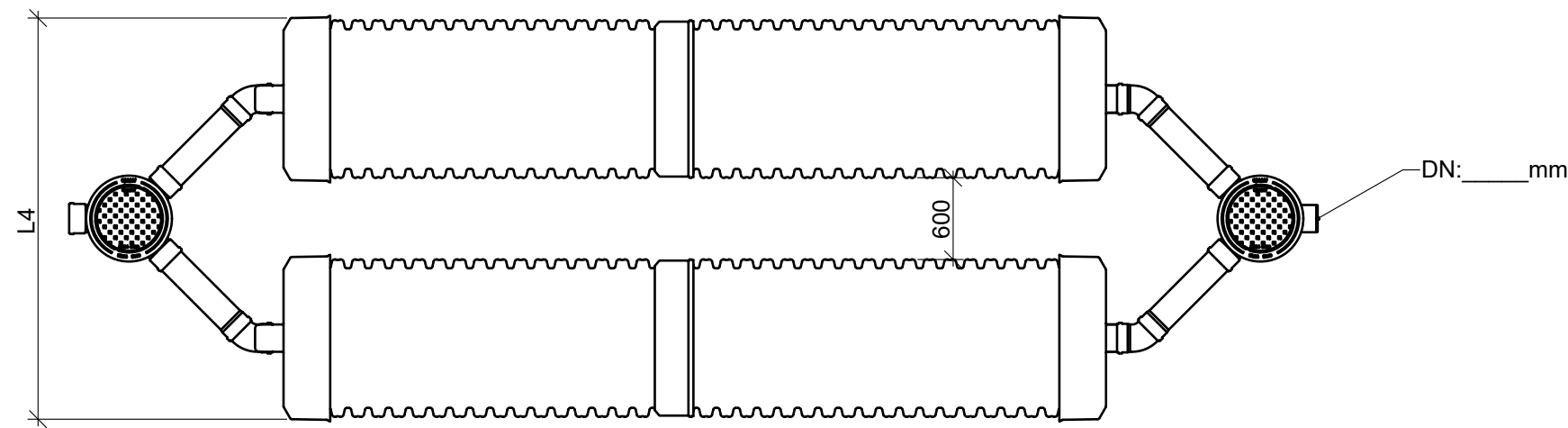
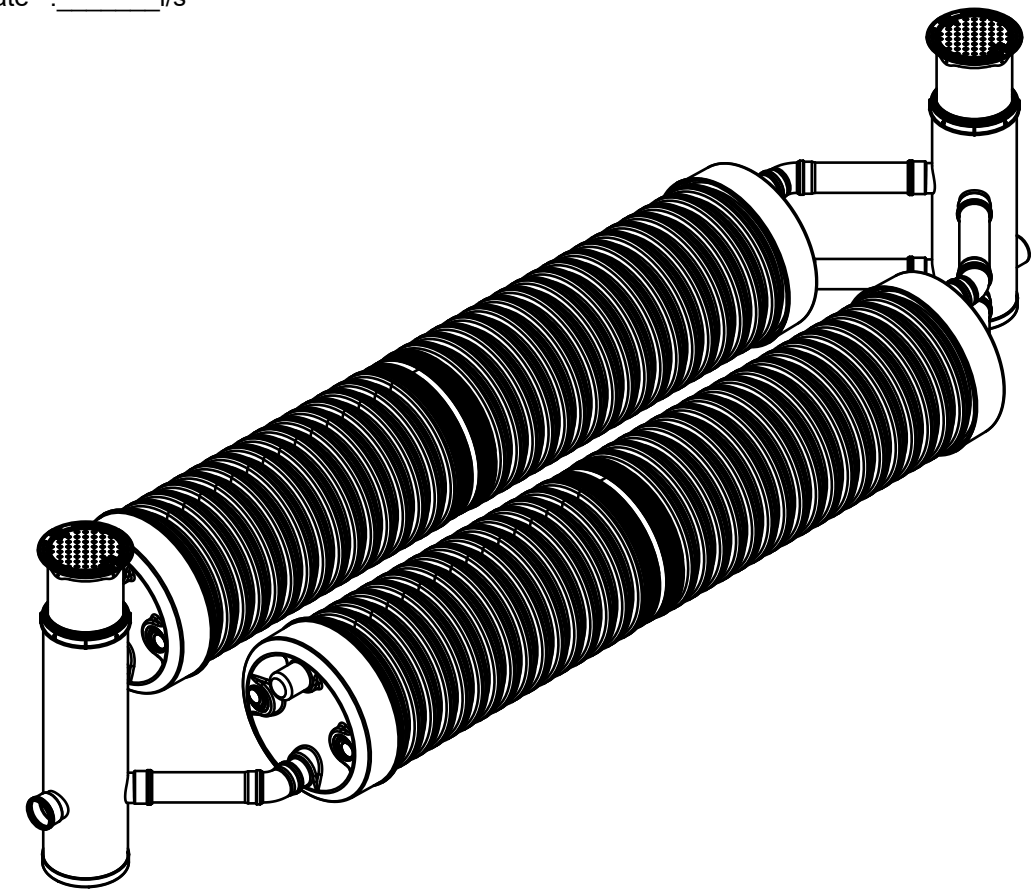


# Uponor Stormwise Stormwater IQ-tank 2 strings



Inlet chamber with sandtrap:  
 - According to drawing:  
 1139923-2X  
 - Sandtrap:  
 Ø560/500 110L\*  
 ISO SVK Ø800/560/500 300L



Dimension table [mm]			
String Ø	L2	L3	L4
680/600	≥500	L1+2120	1960
902/800	≥660	L1+2440	2400
1154/1000	≥860	L1+2840	2910
1360/1200	≥950	L1+3620	3320

\*Standard option \*\*Flowrate at full system

	Length of tank [L1] (Volume in table calculated for 2 strings)								
	3 m	6 m	9 m	12 m	15 m	18 m	21 m	24 m	Other length
680/600	-	<input type="checkbox"/> 3,4m <sup>3</sup>	-	<input type="checkbox"/> 6,8m <sup>3</sup>	-	<input type="checkbox"/> 10,2m <sup>3</sup>	-	<input type="checkbox"/> 13,6m <sup>3</sup>	<input type="checkbox"/> _____ 0,56m <sup>3</sup> /m
902/800	<input type="checkbox"/> 2,8m <sup>3</sup>	<input type="checkbox"/> 5,6m <sup>3</sup>	<input type="checkbox"/> 8,8m <sup>3</sup>	<input type="checkbox"/> 11,6m <sup>3</sup>	<input type="checkbox"/> 14,8m <sup>3</sup>	<input type="checkbox"/> 17,6m <sup>3</sup>	<input type="checkbox"/> 21,0m <sup>3</sup>	<input type="checkbox"/> 23,8m <sup>3</sup>	<input type="checkbox"/> _____ 1,00m <sup>3</sup> /m
1154/1000	<input type="checkbox"/> 4,2m <sup>3</sup>	<input type="checkbox"/> 8,4m <sup>3</sup>	<input type="checkbox"/> 13,6m <sup>3</sup>	<input type="checkbox"/> 18,0m <sup>3</sup>	<input type="checkbox"/> 23,0m <sup>3</sup>	<input type="checkbox"/> 27,4m <sup>3</sup>	<input type="checkbox"/> 32,6m <sup>3</sup>	<input type="checkbox"/> 36,8m <sup>3</sup>	<input type="checkbox"/> _____ 1,56m <sup>3</sup> /m
1360/1200	<input type="checkbox"/> 5,8m <sup>3</sup>	<input type="checkbox"/> 11,8m <sup>3</sup>	<input type="checkbox"/> 19,0m <sup>3</sup>	<input type="checkbox"/> 24,8m <sup>3</sup>	<input type="checkbox"/> 32,2m <sup>3</sup>	<input type="checkbox"/> 38,0m <sup>3</sup>	<input type="checkbox"/> 45,2m <sup>3</sup>	<input type="checkbox"/> 51,2m <sup>3</sup>	<input type="checkbox"/> _____ 2,26m <sup>3</sup> /m

CASE NUMBER	DRAWN BY	HANDLED BY
	---	---
DATE	CONTACT PERSON	
30.09.2022	---	
CONTENT		
UPONOR STORMWISE IQ RETENTION TANK		
SCALE	NUMBER	
1:50 (A3)	1139923-2	