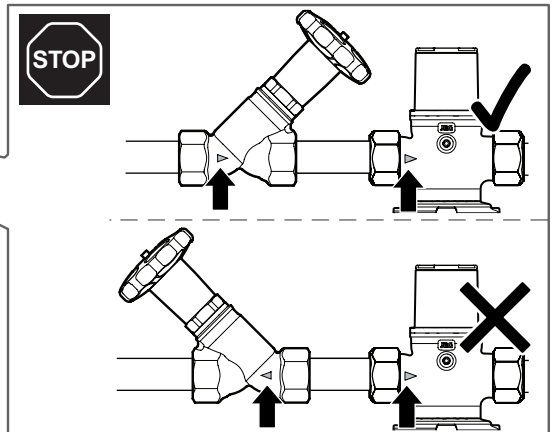
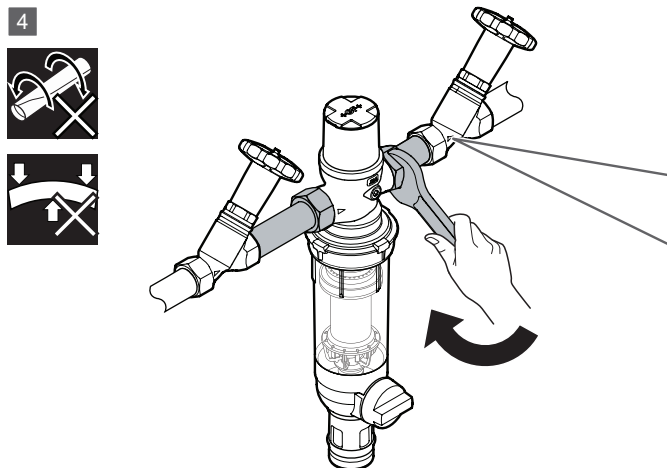
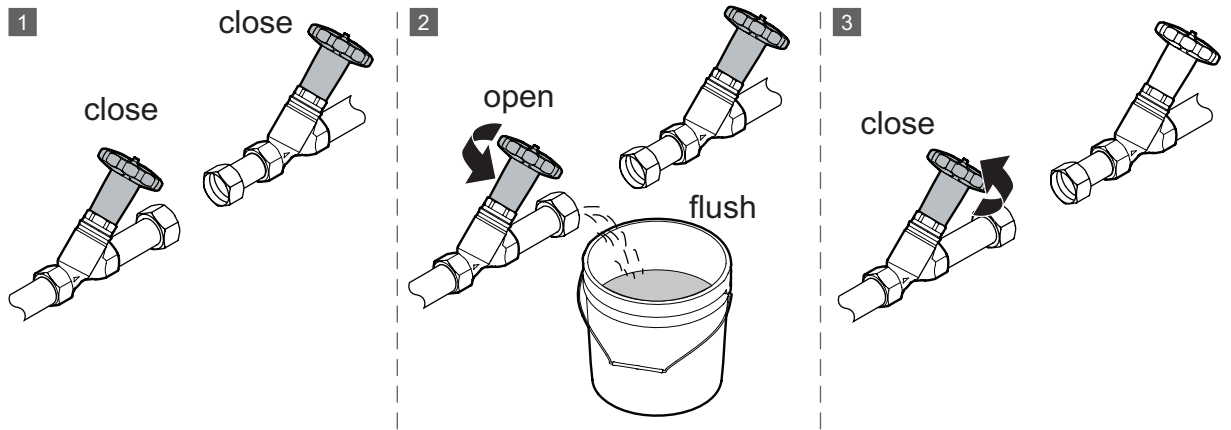
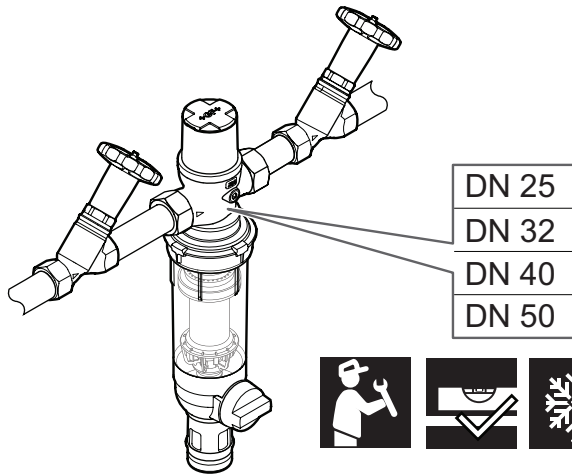
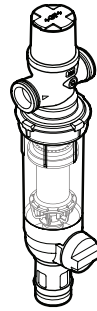
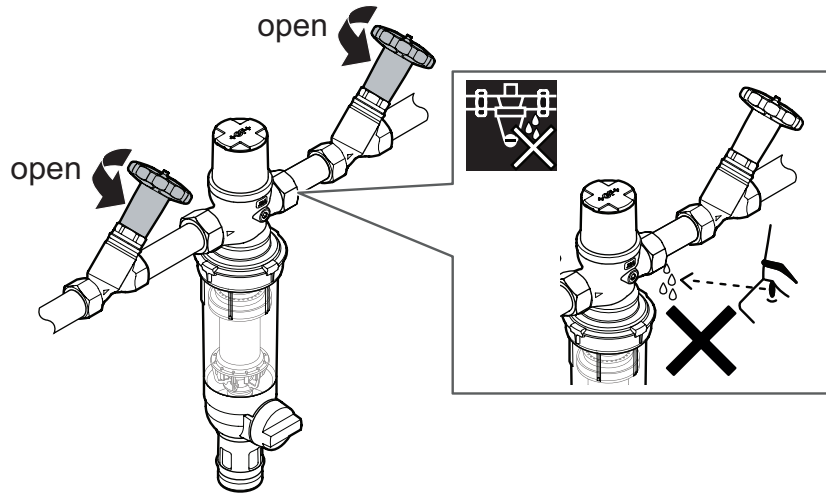


# GF JRGURED Combi backwash filter

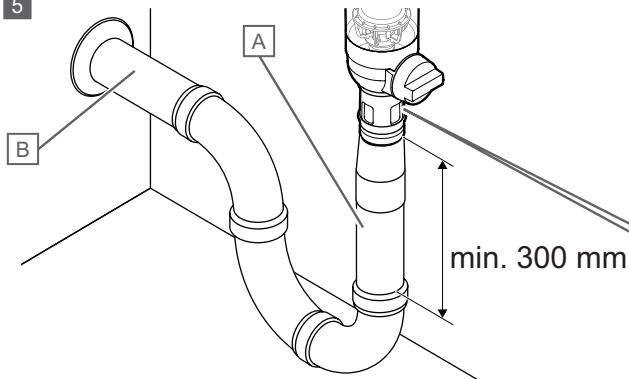




4



5

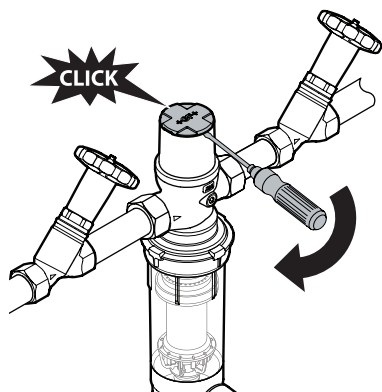


A	DN50/70
B	DN70

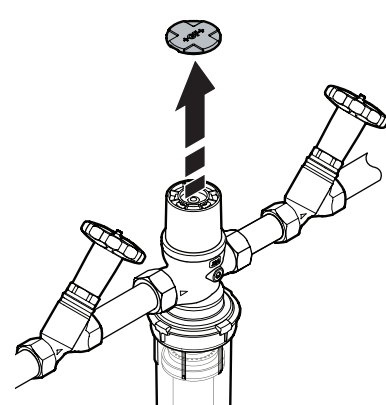
i	 P (bar)	4	6	8	10	12	14	16
		 DN 25/32	1,6	1,9	2,2	2,4	2,6	2,8
	 DN 40/50	1,7	2,0	2,3	2,5	2,6	2,8	3,0



1

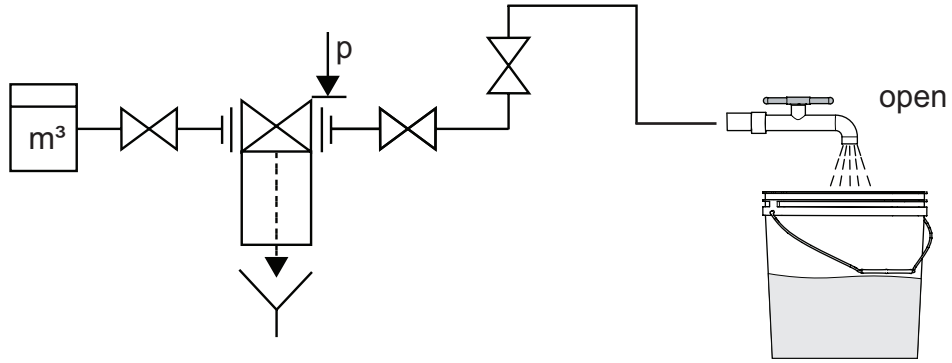


2

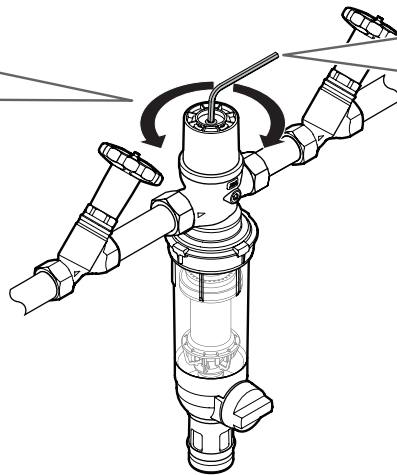
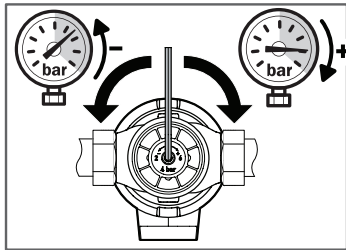




3



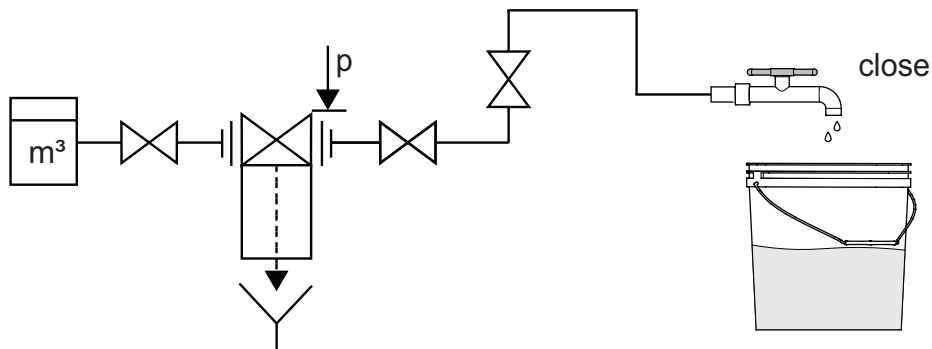
4



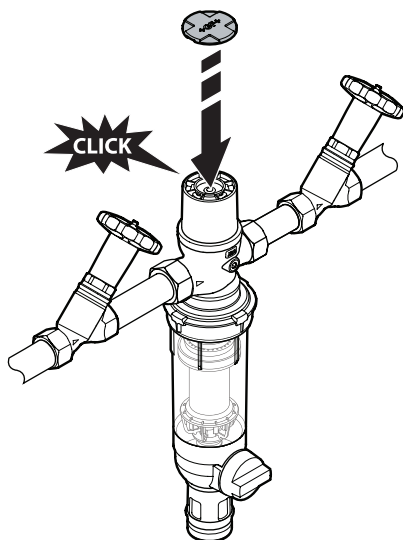
<b>i</b>	
DN	Hexagon
25	5 mm
32, 40	6 mm
50	8 mm

360° = Δp 30 kPa (0,3 bar)

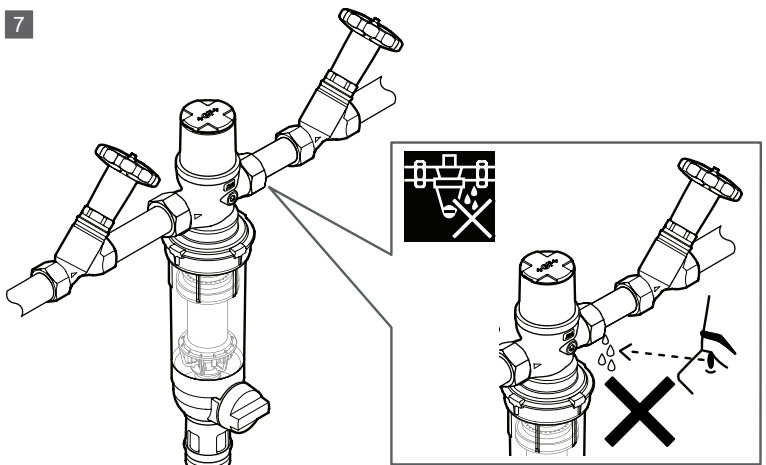
5

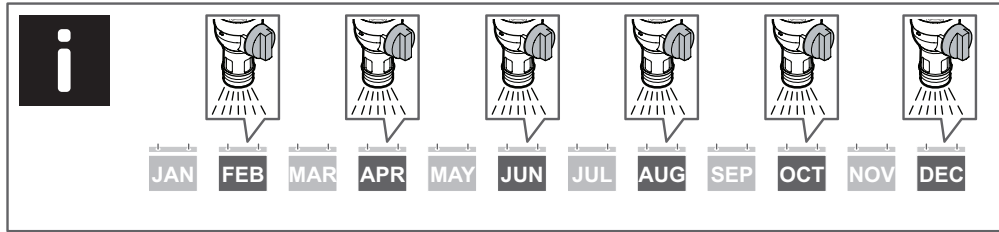
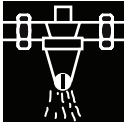


6

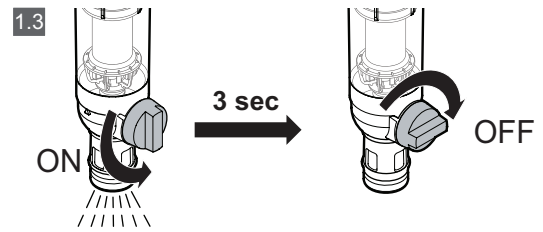
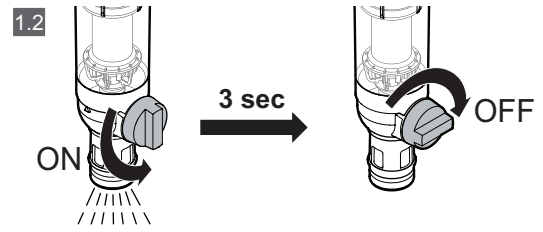
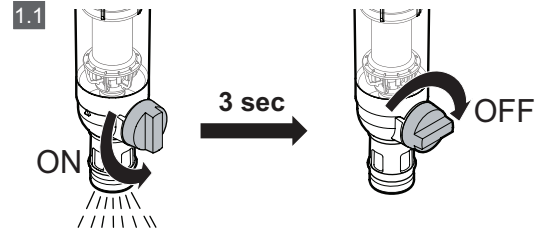
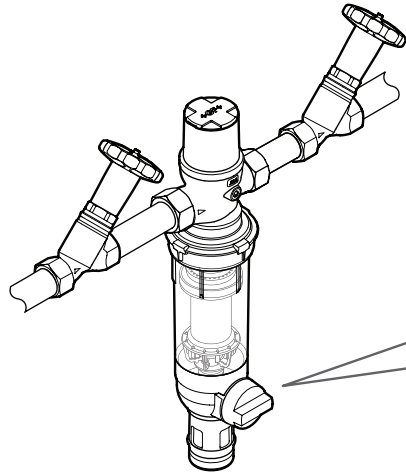


7



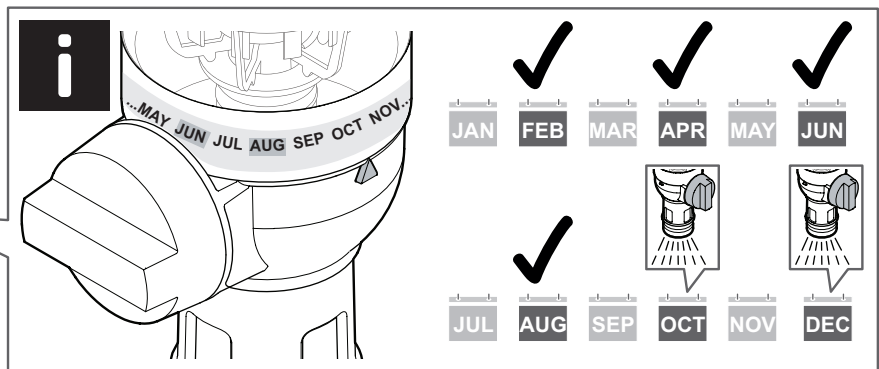
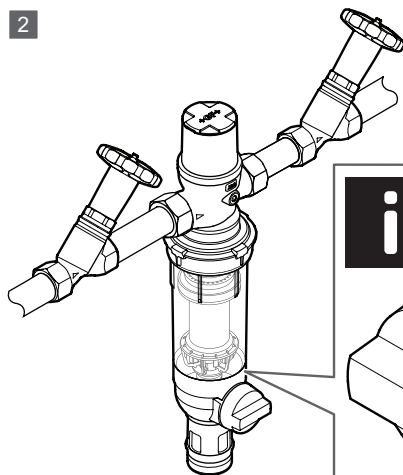


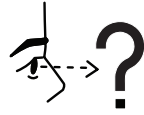
1



	DN	3x 3s			
	P = 4 bar	<table border="1"> <tr> <td>25, 32</td> <td>15 l</td> </tr> <tr> <td>40, 50</td> <td>18 l</td> </tr> </table>	25, 32	15 l	40, 50
25, 32	15 l				
40, 50	18 l				

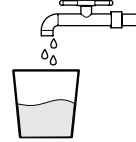
2








medium



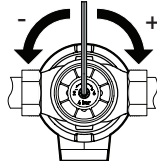
$T_{max} = 30^{\circ}C$

DN

25, 32, 40, 50



P



4 bar / 400 kPa (2 - 6 bar / 200 - 600 kPa)



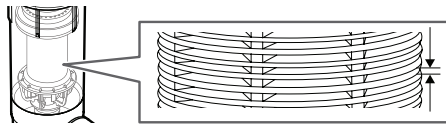
$P_{min}$

2 bar / 200 kPa

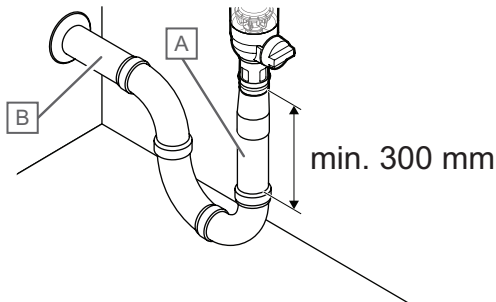


PN

16 bar / 1600 kPa

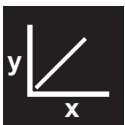


100  $\mu$ m

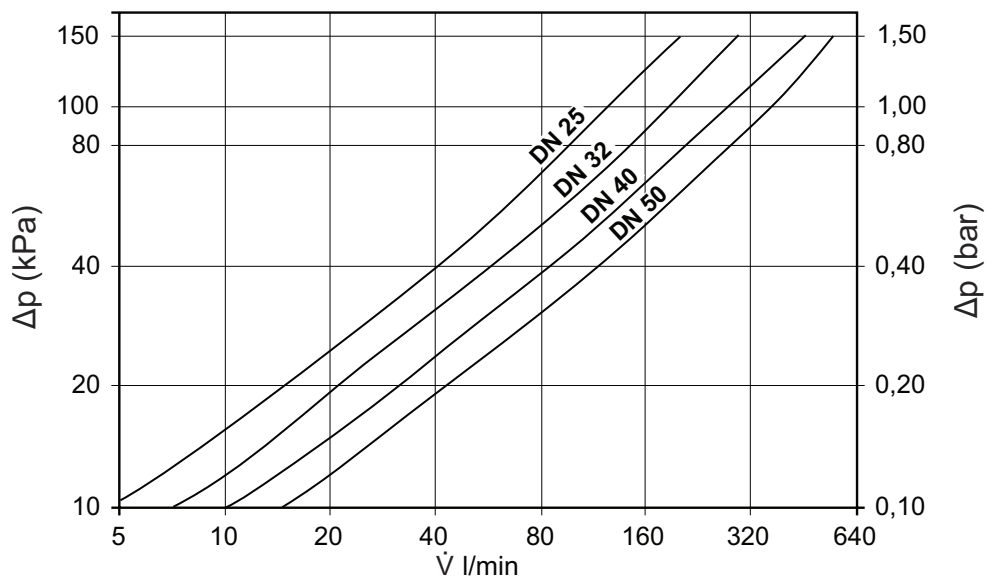


**A** = DN50/70

**B** = DN70

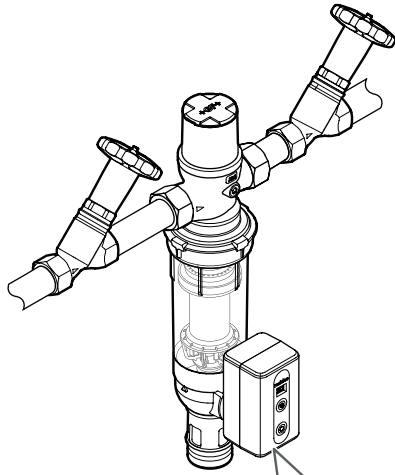


P 800 / 400 kPa (8 / 4 bar)

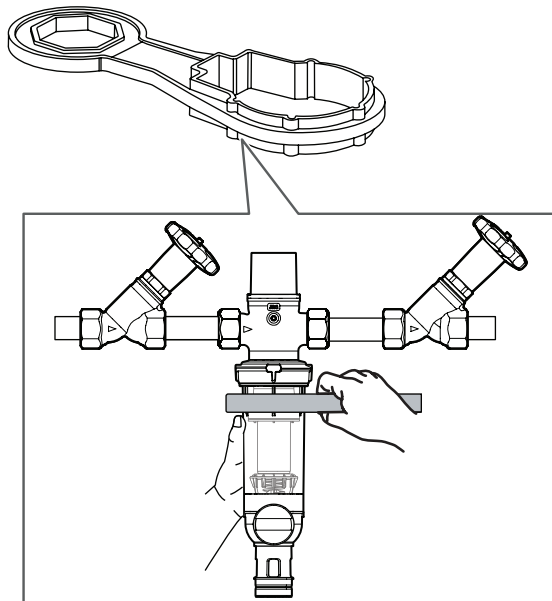
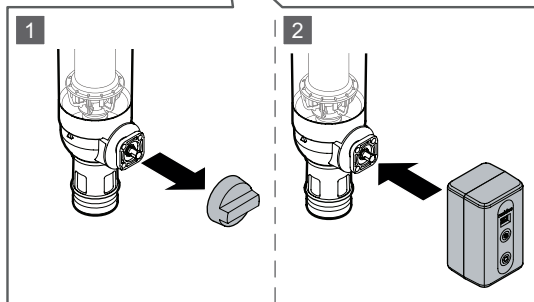




GF code...



1185052 / 355591404



DN25/32: 1185053 / 355591402  
DN40/50: 1185054 / 355591403

## **Georg Fischer JRG AG**

Hauptstrasse 130  
4450 Sissach  
Schweiz

BFS Code: 350945921 / 1187035 v1\_01\_2026  
Production: GF BFS / JLI\_ASP

Georg Fischer reserves the right to make changes, without prior notification, to the specification of incorporated components in line with its policy of continuous improvement and development.



[www.gfps.com](http://www.gfps.com)