

Fact Sheet Stormwise Level Regulation Chamber

Effective solution for water level regulation

Sustainment of a stable water level

The GF Stormwise level regulation chamber is used to keep the water level in ditches, ponds, and wetlands at a desired height. The level regulation chamber can also be complemented with flow regulation properties. The water is drawn from the bottom of the pond, providing three advantages. First, floating debris on the surface of the pond does not enter the chamber. Second, the oxygen level in the pond remains optimal because the low-oxygen water from the bottom of the pond is extracted. Third, the pond can be completely emptied for maintenance.

The level of the uppermost wooden plank of the levelling barrier defines the desired maximum water level in the water body.

Water flows from the water body through the inlet into the technical chamber body. If the water level is higher than the highest wooden plank, exceeding the desired maximum water level, the water is discharged through the outlet and the water level of the water body decreases.



Compliant with local regulations

Accelerates your project timeline and simplifies approvals by authorities.



Complete and prefabricated

Saves up to 50% installation time and reduces risks for installation errors.



Adaptive water-level control

Improves flood resilience, boosts water quality and avoids costly redesigns.

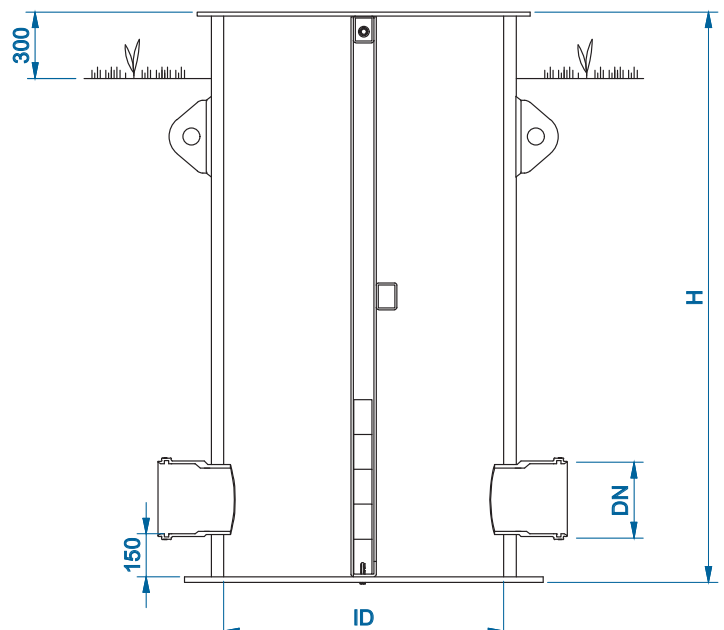


Convenient and accessible

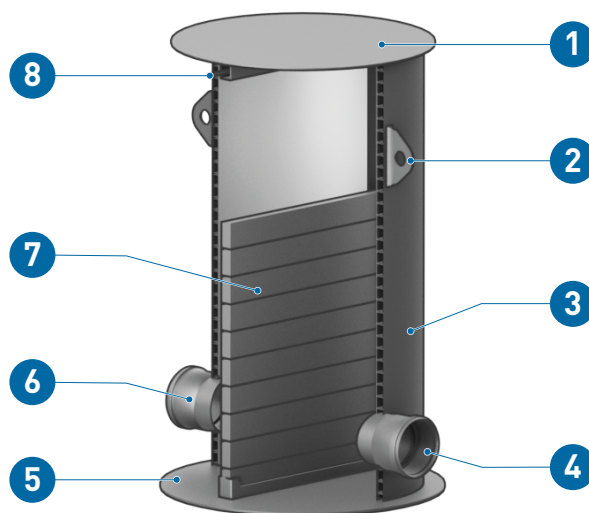
For reliable operation and easy maintenance.

Technical data

Application	Water level control
Material (body)	PE 100
Color	Black (outside), white (inside)
Ring stiffness	SN2, SN4, SN8, or by agreement
Anchoring	Self-anchoring base plate
Inner diameter (ID)	800 - 1400 mm
Height (H)	1500 - 3500 mm
In/out diameter (DN), smooth/Dv	110 - 400 mm
In/out diameter (DN), IQ	225 - 1154 mm
In/out diameter (DN), IQ ultra	450 - 684 mm
Standards	EN 13476 EN 13598



Components



Pos.	Designation	Pos.	Designation
1	Lid	5	Self-anchoring base plate
2	Lifting yoke	6	Inlet
3	Technical chamber body	7	Levelling barrier (wooden planks)
4	Outlet	8	Locking rod

Customizable components

- Technical chamber height and inner diameter
- Connection types and dimensions
- Height of levelling barrier (number of wooden planks)

Item number

Item no.	Description
35001138354	Level regulation chamber



Speak to an expert
 Discover how Stormwise solutions can transform your stormwater management.
www.gfps.com/stormwise

The information and technical data (altogether "Data") herein are not binding, unless explicitly confirmed in writing. The Data neither constitutes any expressed, implied or warranted characteristics, nor guaranteed properties or a guaranteed durability. All Data is subject to modification. The General Terms and Conditions of Sale of Georg Fischer Piping Systems apply.

