

**BIOCAT KS 1500**  
**BIOCAT KS 3000**  
**BIOCAT KS 4000**



BIOCAT KS 3000



BIOCAT KS 4000

**Assembly instructions**

**EN**



This unit has to be installed by a qualified technician in accordance with the documentation provided by WATERCryst, the additional manufacturer documentation and in compliance with local regulations.

**Note the following points prior to installation:**

- **DIN 1988-200 section 12.2:**  
The system may only be installed in frost-free locations where the ambient temperature does not exceed 25°C.

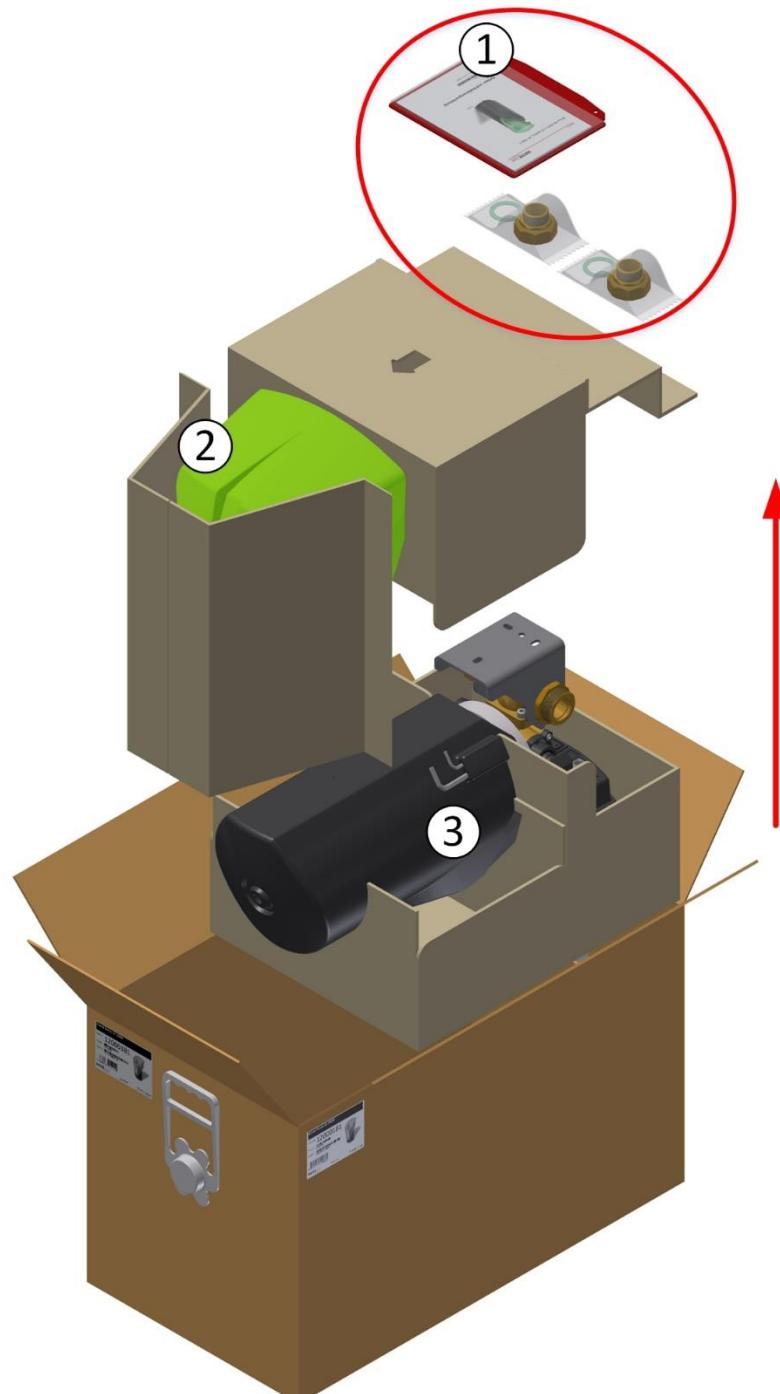
Do not exceed a system pressure of 8 bar.

- **Observe the operating weight!** (see technical data)
- Adhere to the maintenance and wall clearances  
→ **Observe installation dimensions**  
The accessibility of the system for maintenance and service work must be ensured. In particular, the accessibility of the system must be ensured to such an extent that it is possible to dismantle the system and the attachments at any time.
- A qualified electrician should install a properly grounded power socket (CEE – 16A).
- Close off access securely to the installation area
- Please note the installation and operating manuals!



**Risk of scalding!**  
Hot water exits into the drain funnel during backflushing.

# 1 Scope of delivery

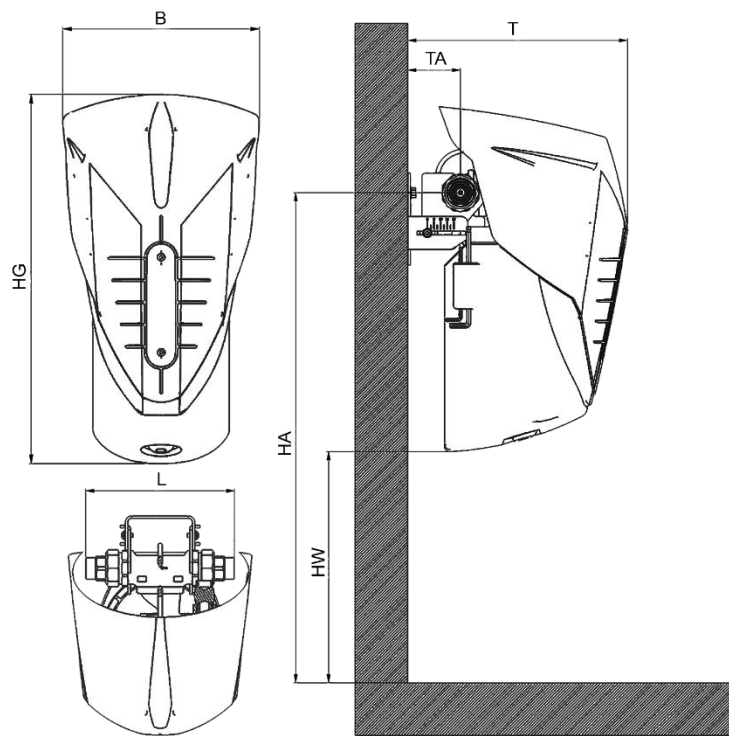


1: Accessory pack (consisting of OI, bypass valve & seals)

2: Device hood

3: BIOCAT KS device incl. insulation

## 2 Installation dimensions

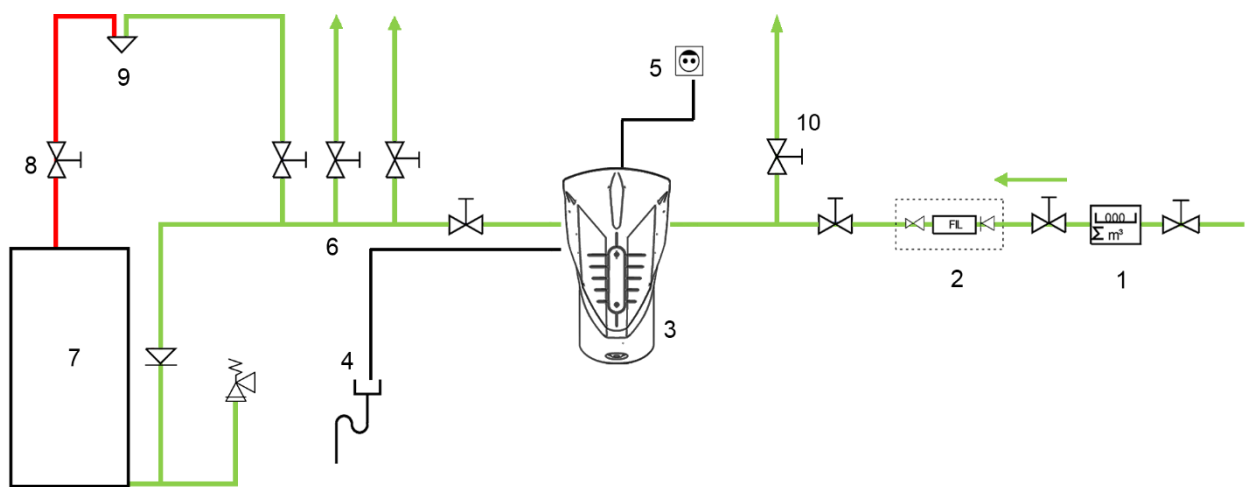


Dimensions		Unit	KS 1500	KS 3000	KS 4000
	Connection dimension	DN	25 (1" AG)		
L	Installation length	[mm]	234		
HG	Device height	[mm]	520		620
B	Device width	[mm]	280		
T	Depth	[mm]	330-370		
TA	Connection depth	[mm]	80-120		
HA	Connection height	[mm]	min. 760		min. 1.000
HW	Maintenance area	[mm]	min. 350		min. 500
	Weight filled with water	[kg]	ca. 17		ca. 19,5
	Connection dimension Flushing line	DN	15		
	Drain dimension	DN	50		

### 3 Installation diagram

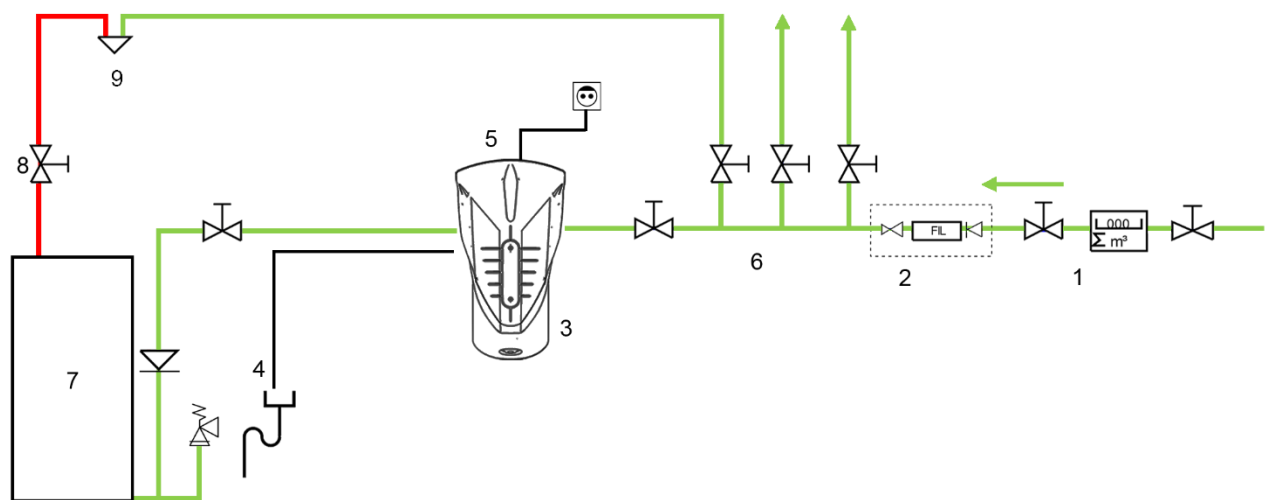
#### Option A: Protection of the entire drinking water installation

The installation is made in the cold water supply line.



(1) Water meter; (2) Domestic water station; (3) BIOCAT KS limescale protection device; (4) Free outlet in drain; (5) SCHUKO socket; (6) Cold water manifold with cold water risers; (7) Drinking water heater; (8) Hot water manifold with hot water riser; (9) Mixing tap; (10) Garden line

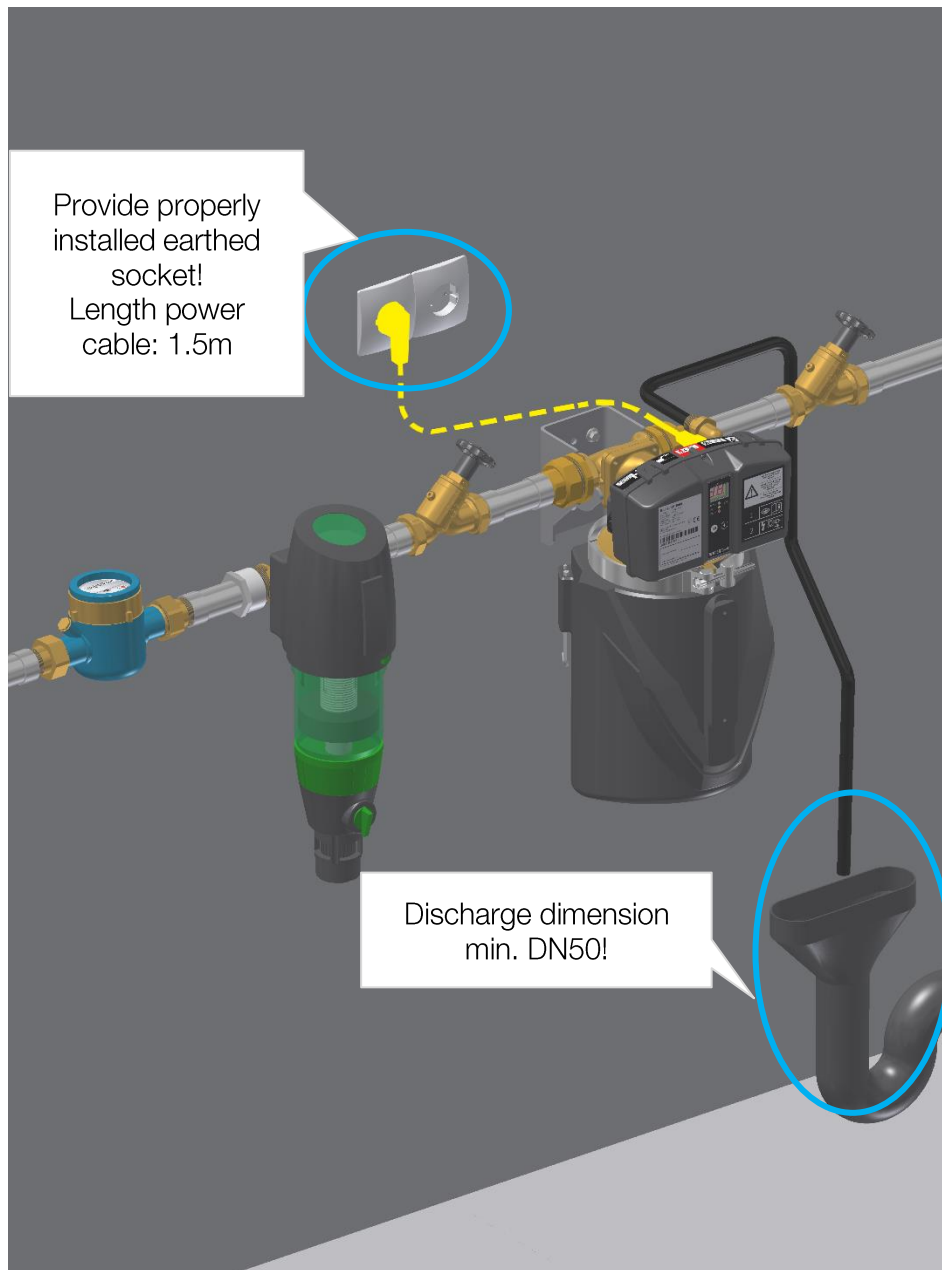
#### Option B: Protection for the hot water installation



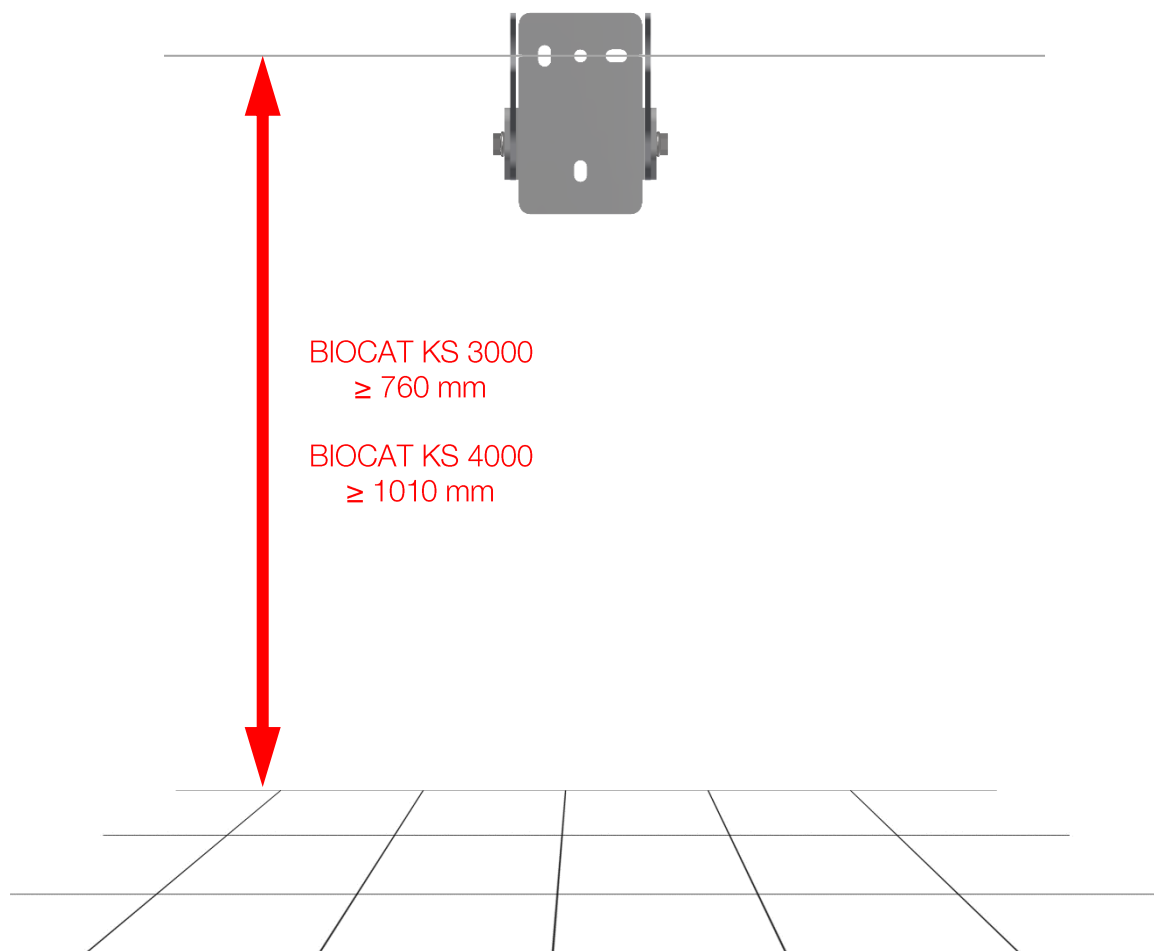
(1) Water meter; (2) Domestic water station; (3) BIOCAT KS limescale protection device; (4) Free outlet in drain; (5) SCHUKO socket; (6) Cold water manifold with cold water risers; (7) Drinking water heater; (8) Hot water manifold with hot water riser; (9) Mixer tap

## 4 Installation

Note before installation:



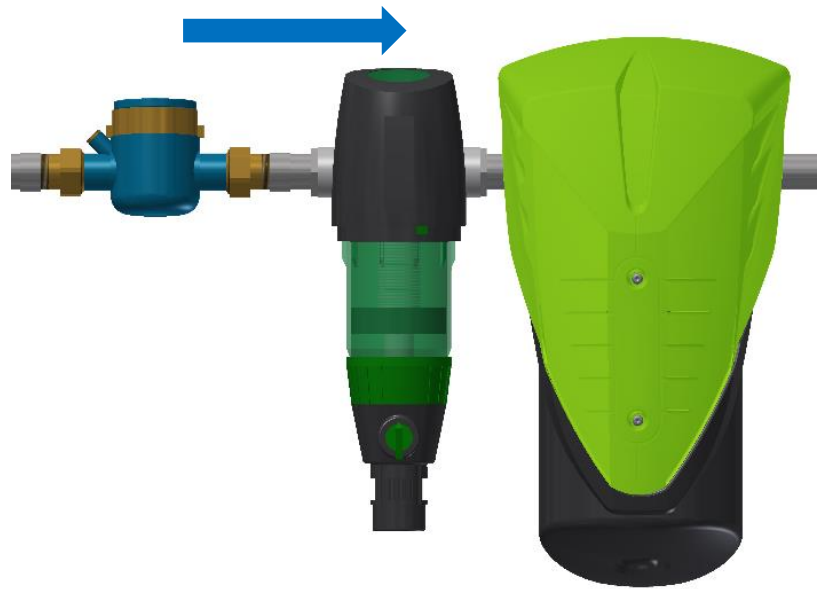
## Attach mounting bracket



Attach the mounting bracket to a load-bearing wall!

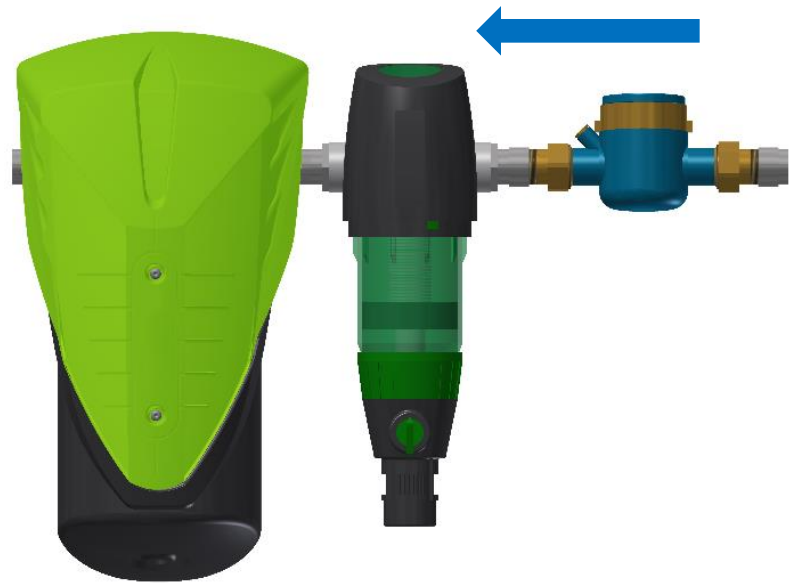
?

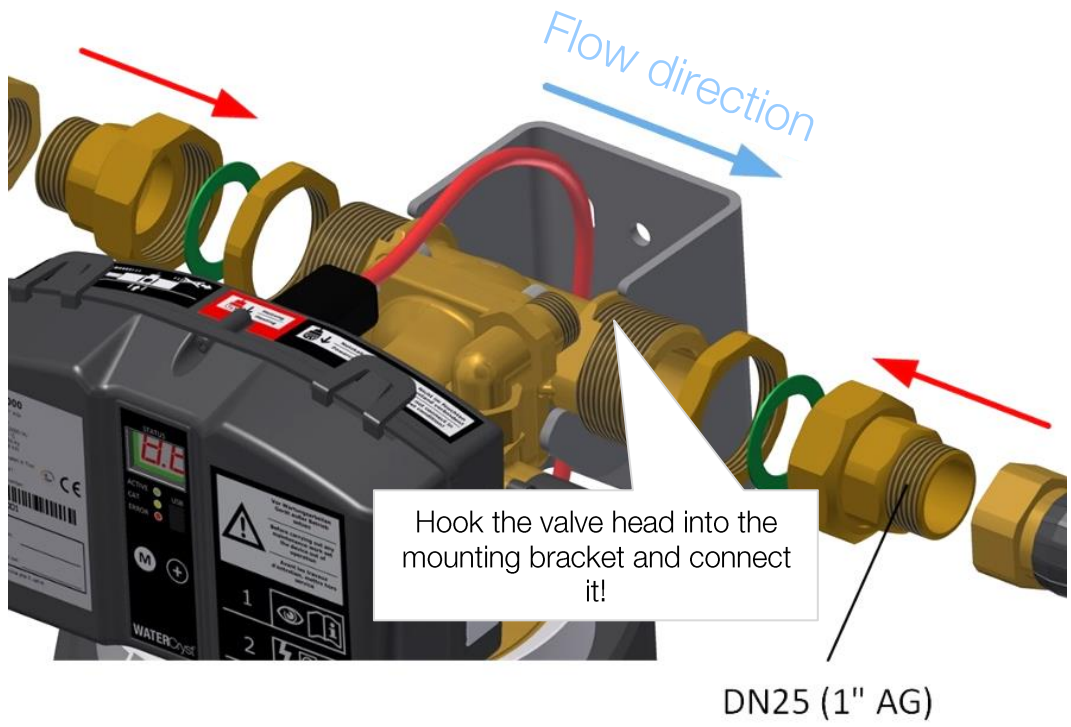
A



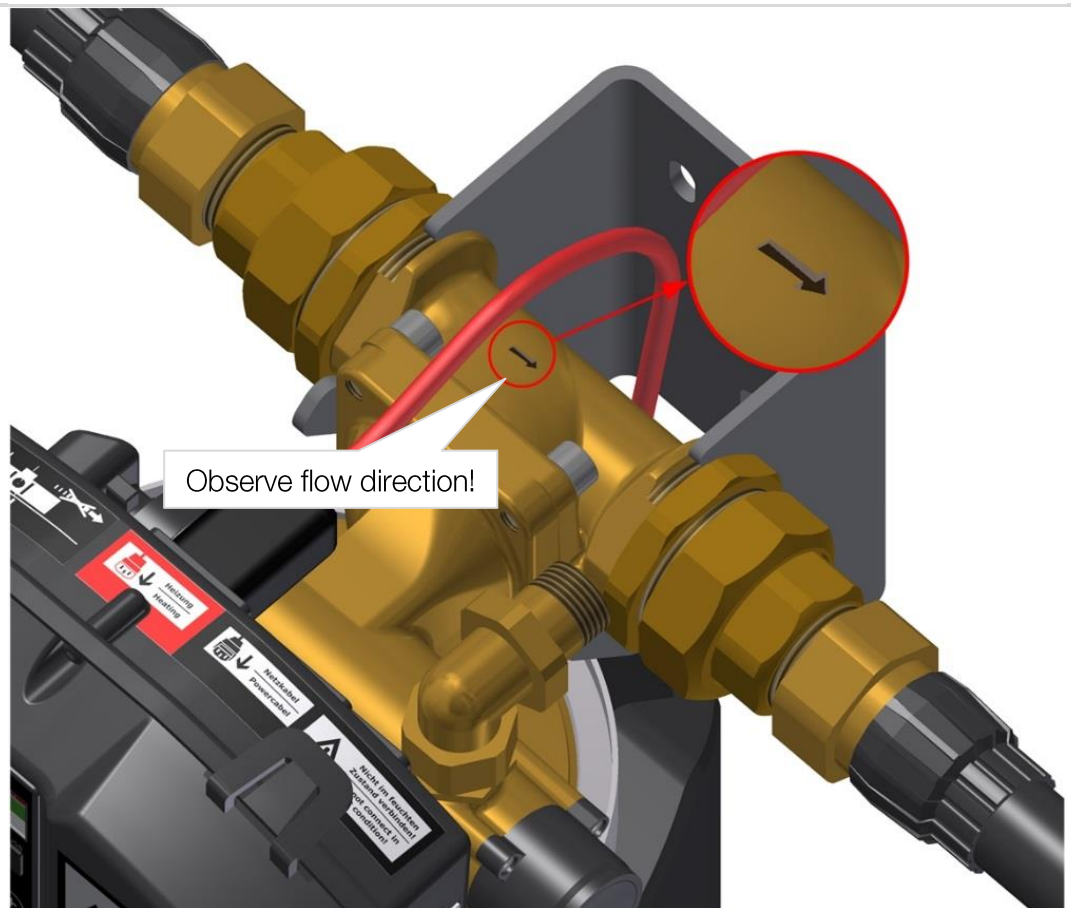
(Delivery status)

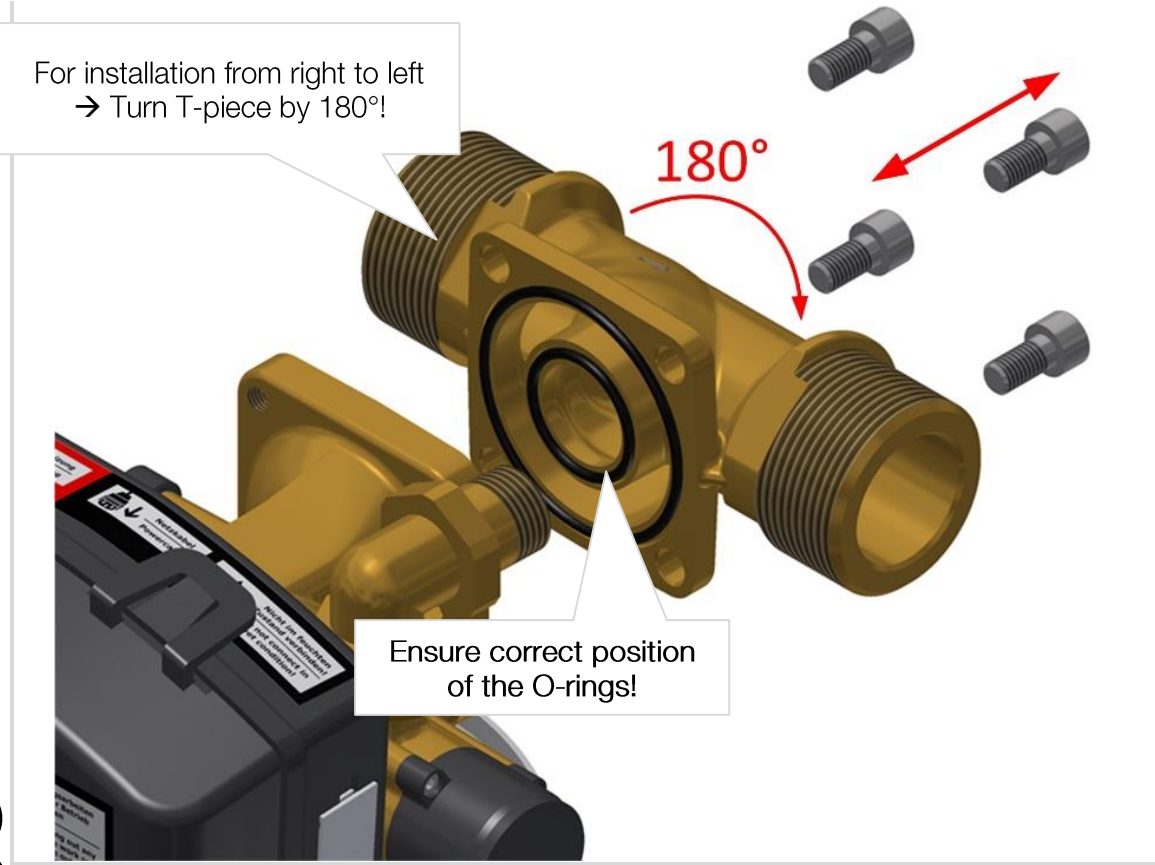
B



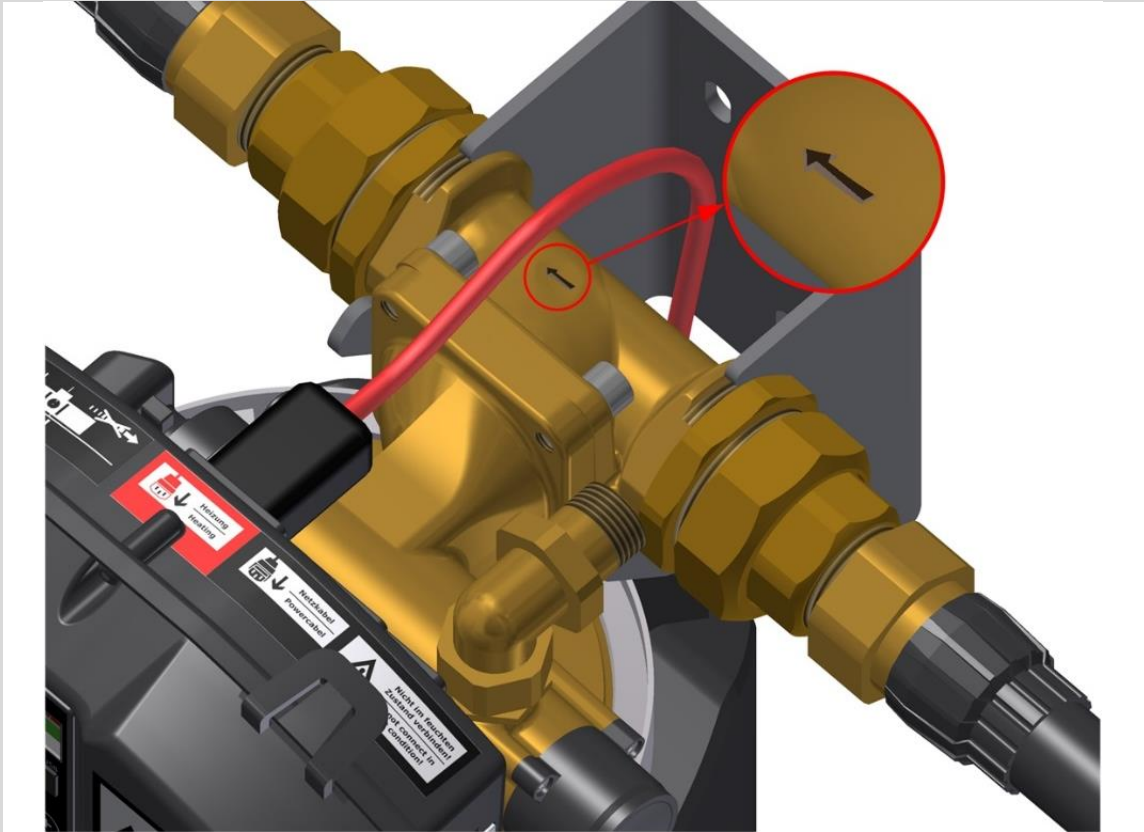


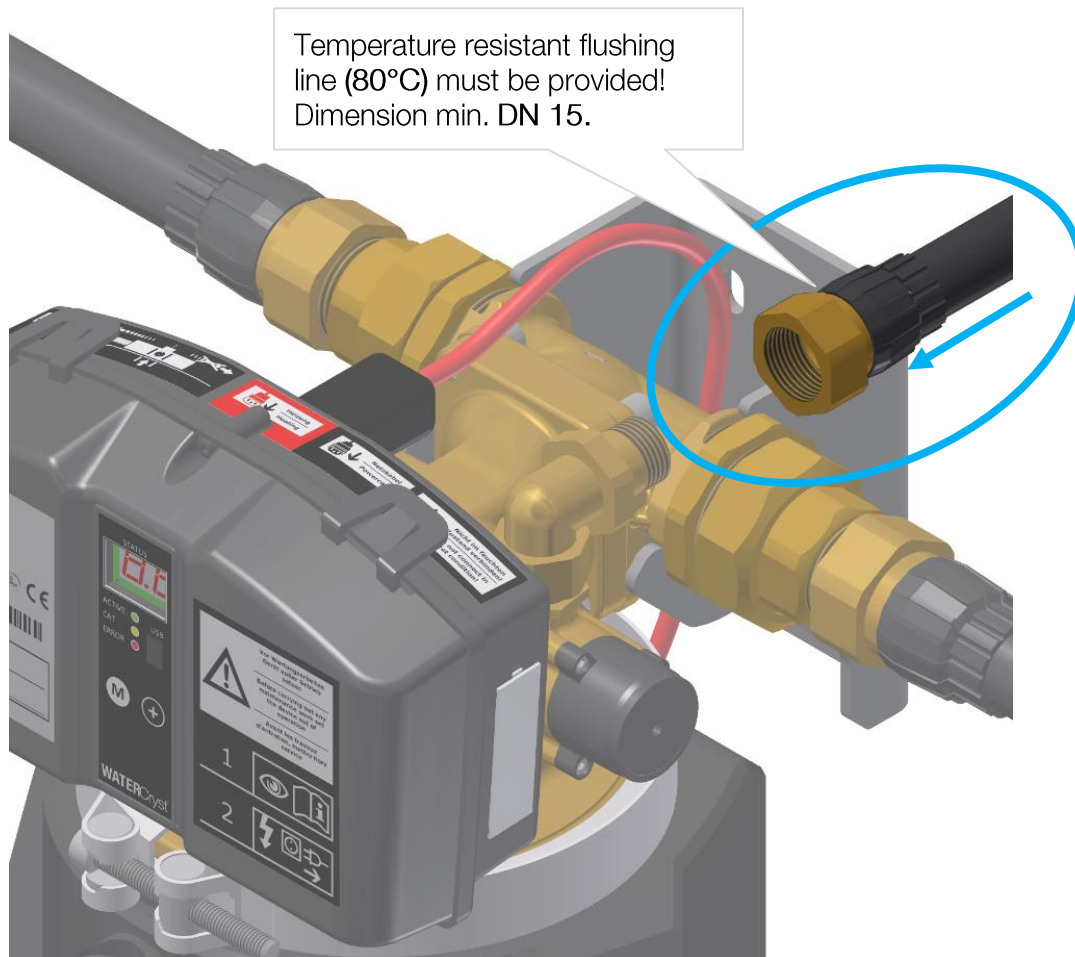
A





B





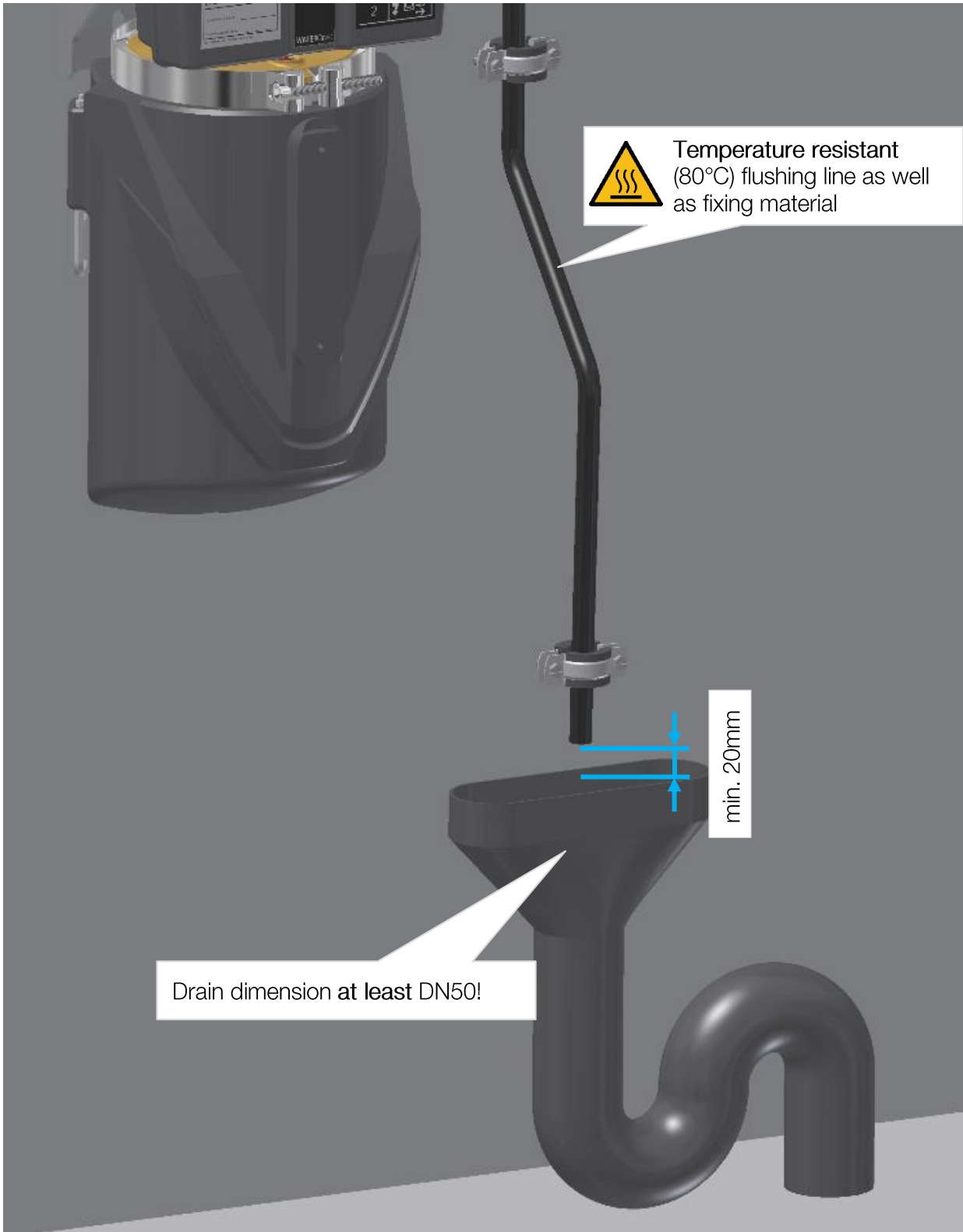
Device type	RS-flow rate [L/min]	BF-quantity [L]	BF-Temperature*
KS 1500 / 3000	6	14	Ca. 80°C
KS 4000		16	

\*BF-temperature briefly reaches 80°C. After that, the temperature decreases.



**If possible, avoid the use of a lifting system!**

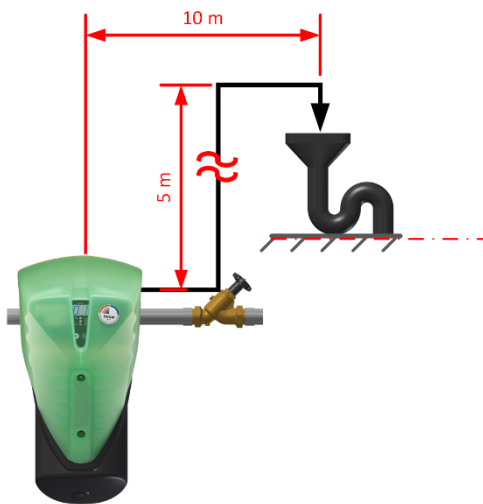
**If a lifting unit is integrated, it MUST be designed in accordance with the RS volume flow and the RS temperature accordingly!**



## 5 Backwash line options

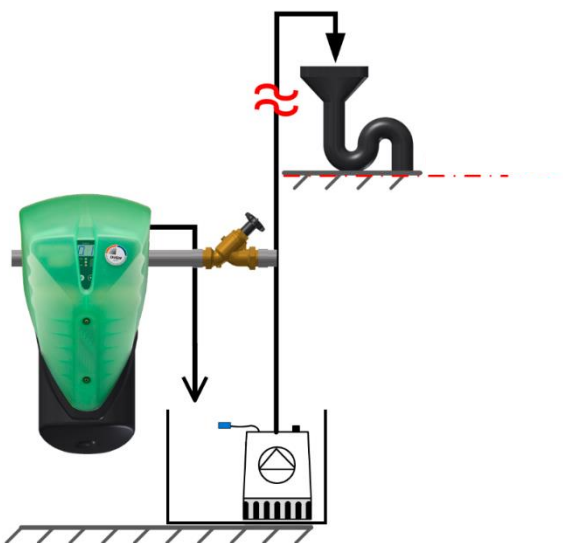


Backwash line directly into drain  
(keep a minimum distance of 20 mm!).



Backwash line in the nearest channel.

Max. 10 m length  
Max. 5m height difference

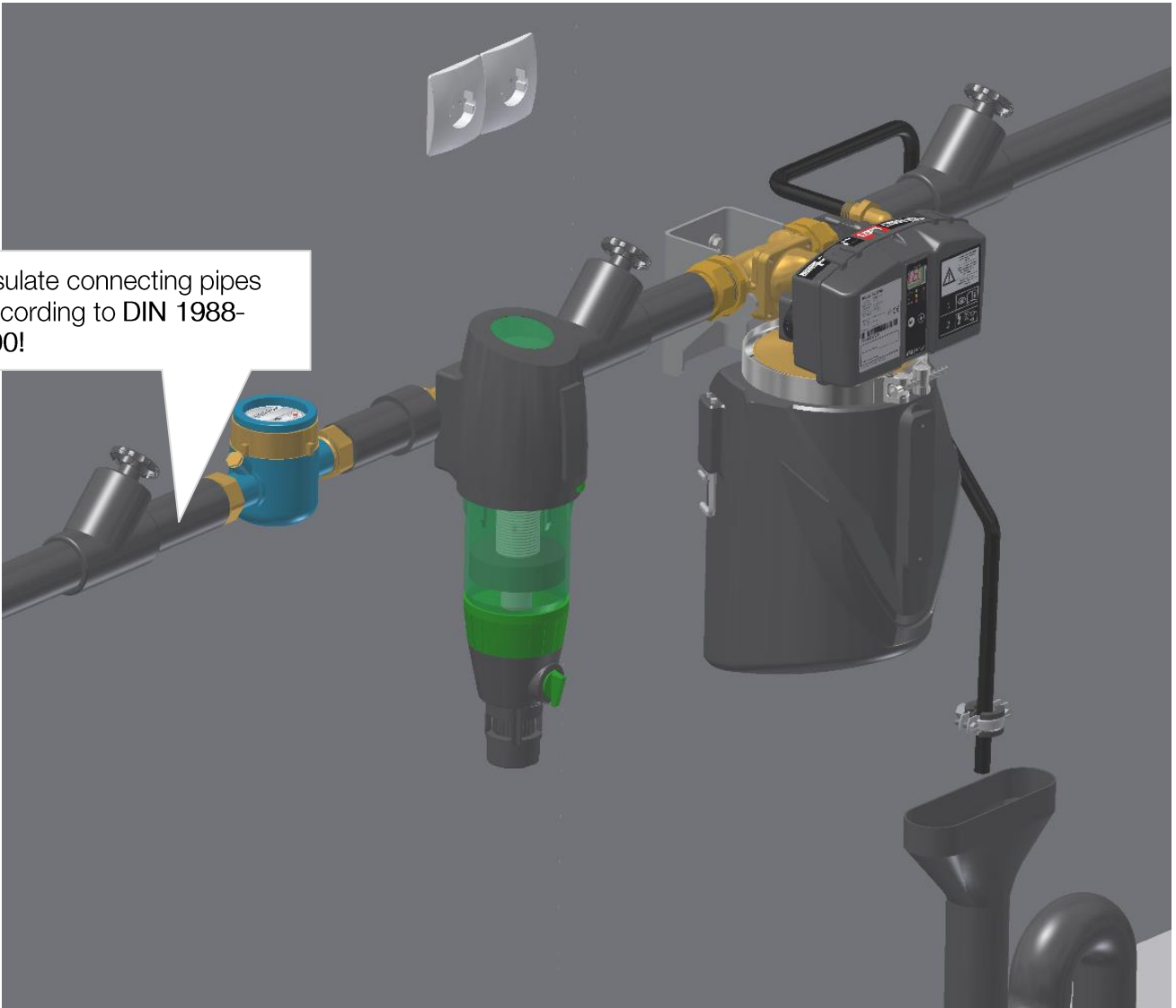


Backwash line is guided in the lifting  
system.

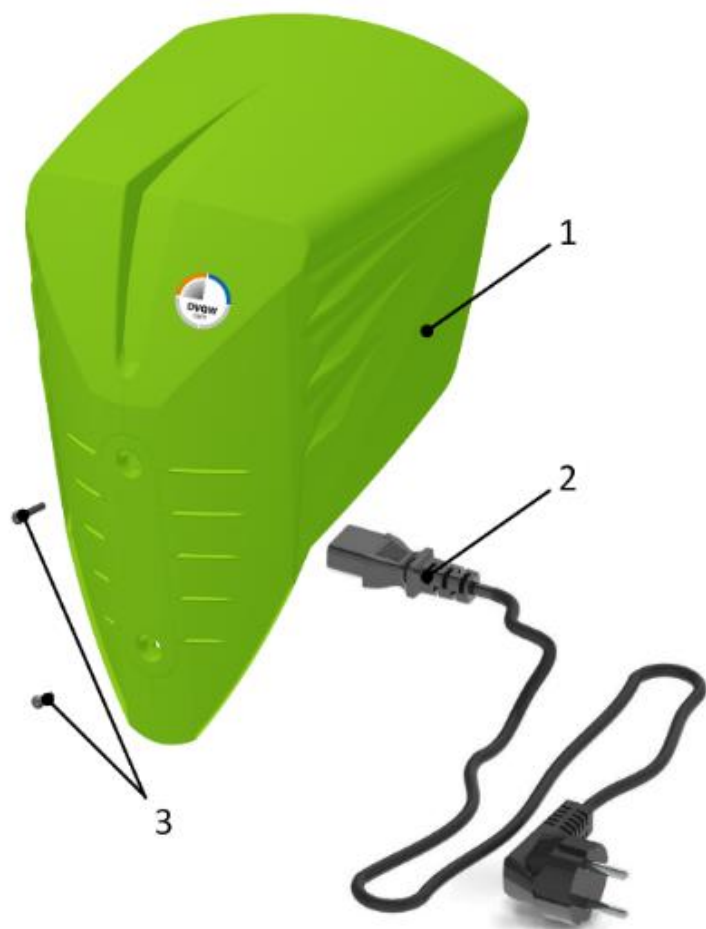
**DANGER:**  
Flow rate 11 l/min  
RS temperature: 80°C

## 6 Device after assembly

Insulate connecting pipes according to DIN 1988-200!



## 7 Residual material after assembly



- 1: Cover hood;
- 2: Power cord;
- 3: Mounting screws (for hood)



For commissioning, see the operating instructions.



### Service

When requesting service, please be sure to quote the BIOCAT serial number from the type plate and the error code from the device display!



**WATERCryst Wassertechnik GmbH**  
Elsa-Brandström-Str. 31  
DE-42781 Haan  
+49 2129 3475 - 204

**Branch Austria**  
Messerschmittweg 26  
AT-6175 Kematen in Tirol  
+43 5232 20602 - 204  
[office@watercryst.com](mailto:office@watercryst.com), [www.watercryst.com](http://www.watercryst.com)



**WATERCryst in Denmark**  
WATERCryst Vandteknik ApS  
Birk Centerpark 40 - C/O Innovatorium A/S  
DK-7400 Herning  
+45 89 88 07 63  
[denmark@watercryst.com](mailto:denmark@watercryst.com), [www.watercryst.dk](http://www.watercryst.dk)



**WATERCryst partner in Czechia and Slovakia**  
Duco Tech CZ s.r.o.  
Polívkova 583/30  
CZ-158 00 Praha 5 - Jinonice  
+420 777 733 095  
[servis@ducotech.cz](mailto:servis@ducotech.cz), [www.ducotech.cz](http://www.ducotech.cz)



**WATERCryst partner in Switzerland**  
Georg Fischer JRG AG  
Hauptstraße 130  
CH-4450 Sissach  
+41 61 975 23 77  
[tkd.jrg.ps@georgfischer.com](mailto:tkd.jrg.ps@georgfischer.com), [www.gfps.com](http://www.gfps.com)

This document is translated from German

Technical changes, typesetting and printing errors reserved

Ident. Nr. 11013859\_v3 / 02.25 / ©Georg Fischer JRG AG

BFS Code 1161486\_v3\_02\_2025  
Production: GF BFS / SDE