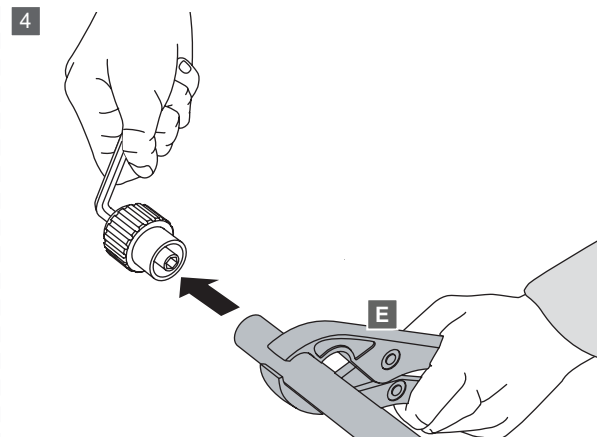
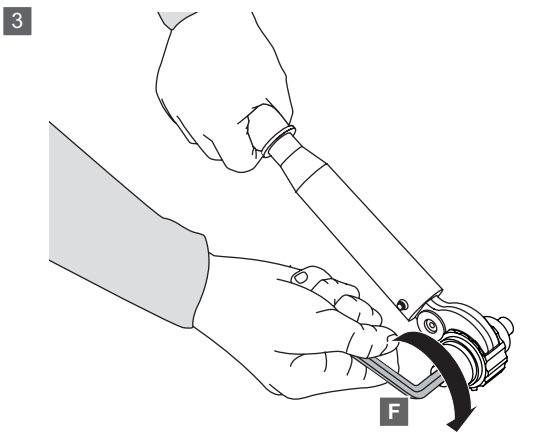
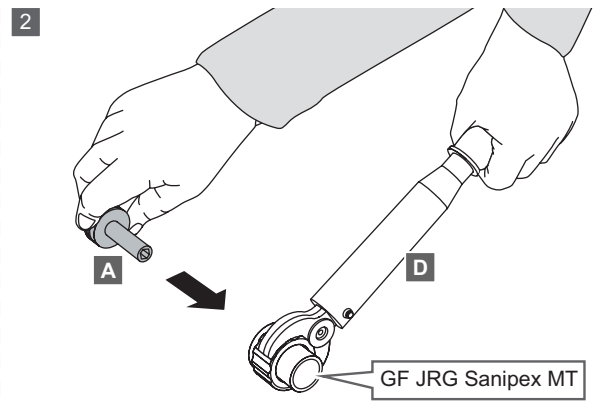
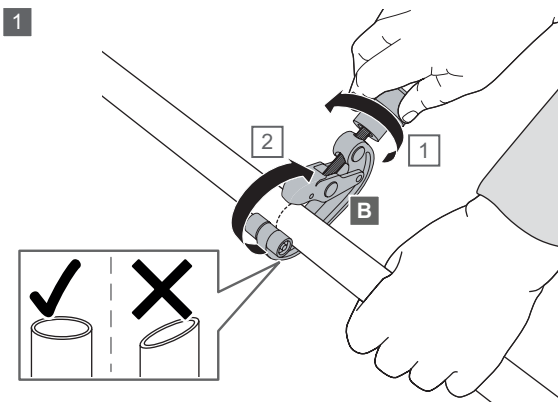
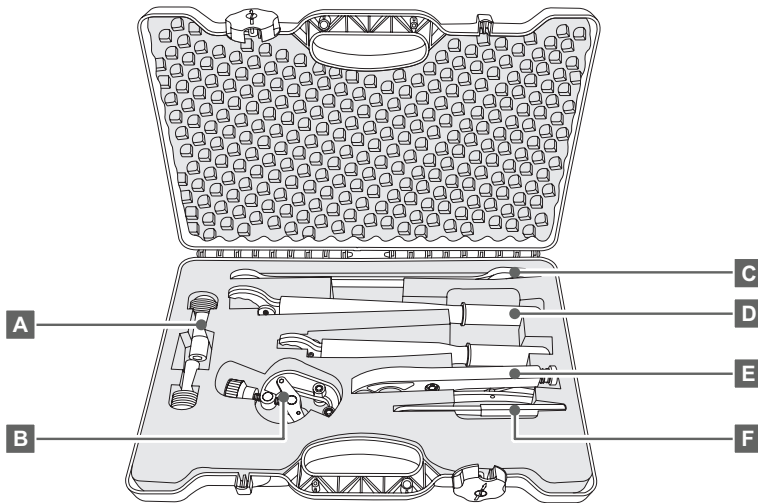
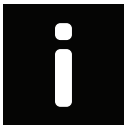
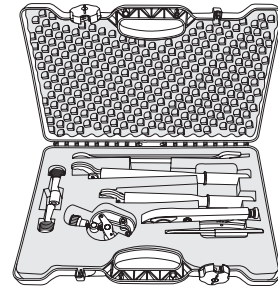
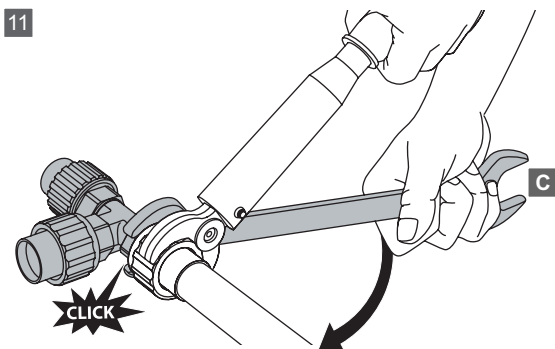
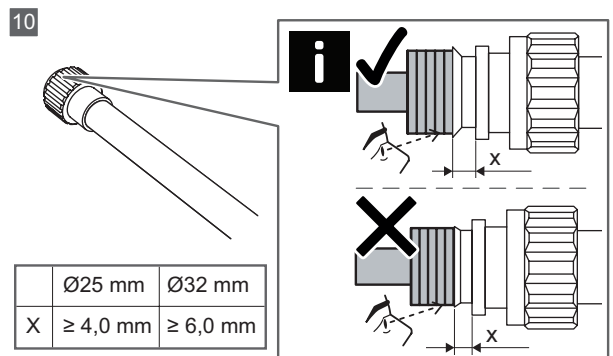
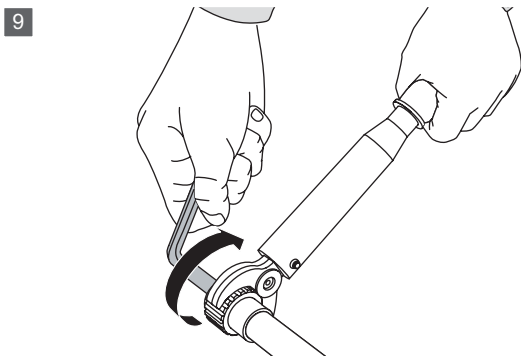
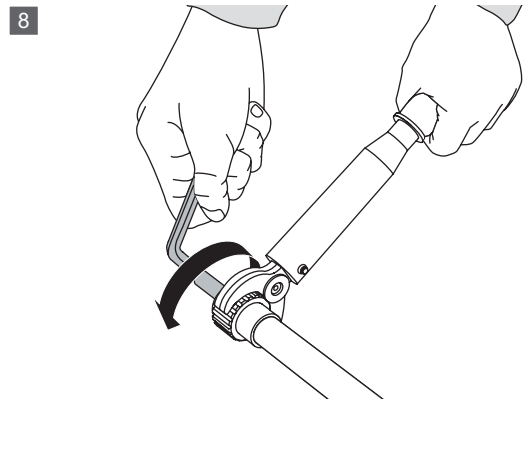
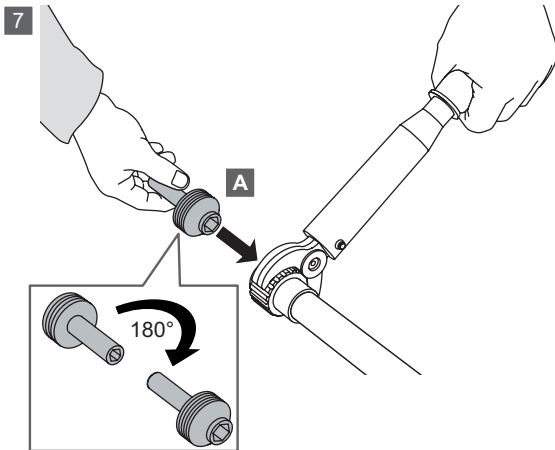
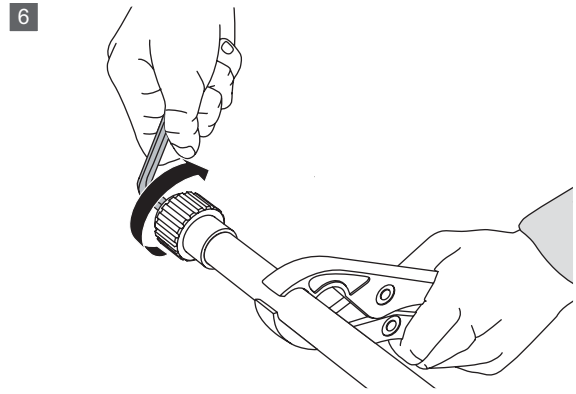
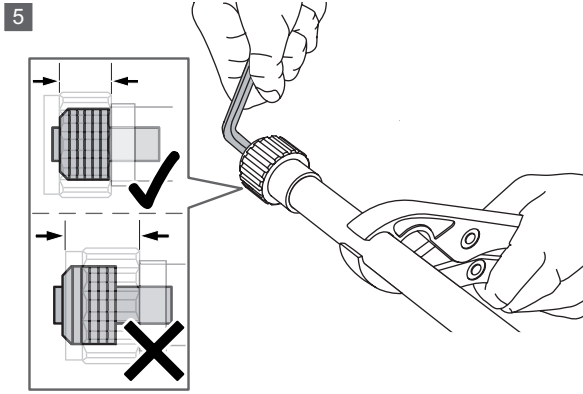


JRG Sanipex fitter's toolkit 25-32 mm





Georg Fischer JRG AG

Hauptstrasse 130
CH-4450 Sissach

350 945 832©Georg Fischer JRG AG
1188158 v1_04_2026
GF / JLI ASP

Uponor reserves the right to make changes, without prior notification, to the specification of incorporated components in line with its policy of continuous improvement and development.



www.uponor.com