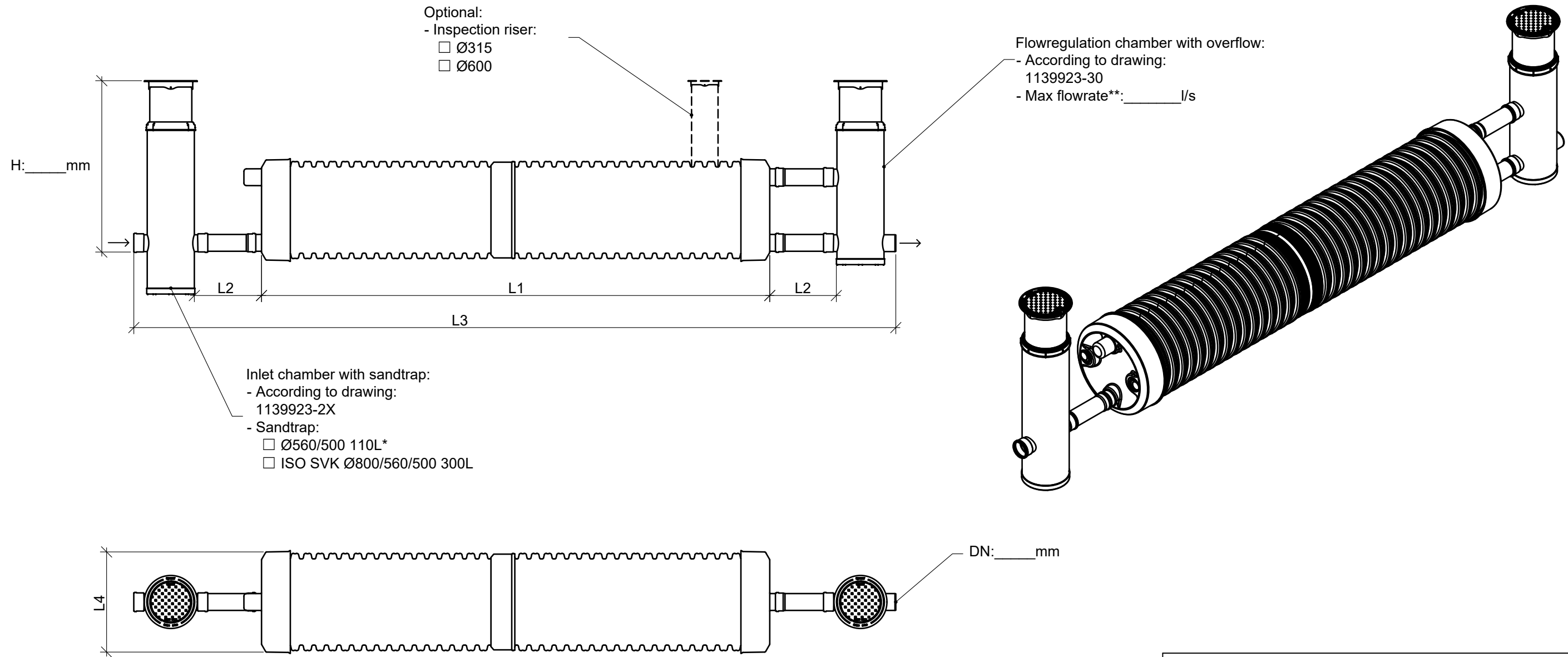


Uponor Stormwise Stormwater IQ-tank



Dimension table [mm]			
String Ø	L2	L3	L4
680/600	≥800	L1+2720	680
902/800	≥800	L1+2720	800
1154/1000	≥800	L1+2720	1000
1360/1200	≥800	L1+2840	1200

*Standard option **Flowrate at full system

	Length of tank [L1] (Volume in table calculated for 1 string)								
	3 m	6 m	9 m	12 m	15 m	18 m	21 m	24 m	Other length
680/600	-	<input type="checkbox"/> 1,7m³	-	<input type="checkbox"/> 3,4m³	-	<input type="checkbox"/> 5,1m³	-	<input type="checkbox"/> 6,8m³	<input type="checkbox"/> _____ 0,28m³/m
902/800	<input type="checkbox"/> 1,4m³	<input type="checkbox"/> 2,8m³	<input type="checkbox"/> 4,4m³	<input type="checkbox"/> 5,8m³	<input type="checkbox"/> 7,4m³	<input type="checkbox"/> 8,8m³	<input type="checkbox"/> 10,5m³	<input type="checkbox"/> 11,9m³	<input type="checkbox"/> _____ 0,50m³/m
1154/1000	<input type="checkbox"/> 2,1m³	<input type="checkbox"/> 4,2m³	<input type="checkbox"/> 6,8m³	<input type="checkbox"/> 9,0m³	<input type="checkbox"/> 11,5m³	<input type="checkbox"/> 13,7m³	<input type="checkbox"/> 16,3m³	<input type="checkbox"/> 18,4m³	<input type="checkbox"/> _____ 0,78m³/m
1360/1200	<input type="checkbox"/> 2,9m³	<input type="checkbox"/> 5,9m³	<input type="checkbox"/> 9,5m³	<input type="checkbox"/> 12,4m³	<input type="checkbox"/> 16,1m³	<input type="checkbox"/> 19,0m³	<input type="checkbox"/> 22,6m³	<input type="checkbox"/> 25,6m³	<input type="checkbox"/> _____ 1,13m³/m

CASE NUMBER	DRAWN BY	HANDLED BY
	---	---
DATE	CONTACT PERSON	
30.09.2022	---	
CONTENT		
UPONOR STORMWISE IQ RETENTION TANK		
SCALE	NUMBER	
1:50 (A3)	1139923-1	