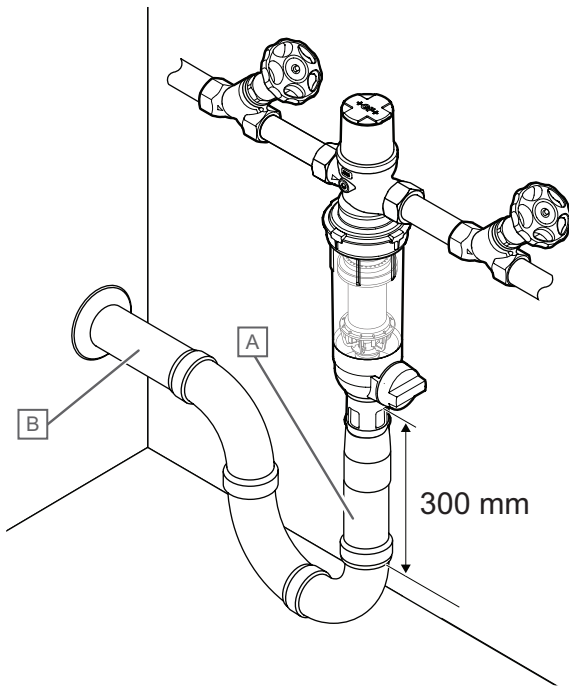
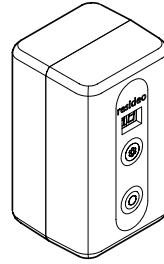
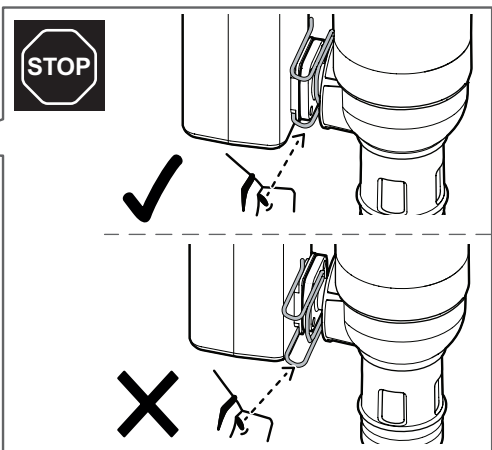
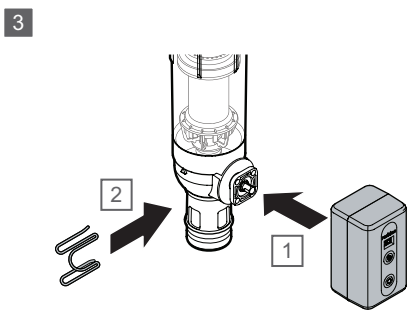
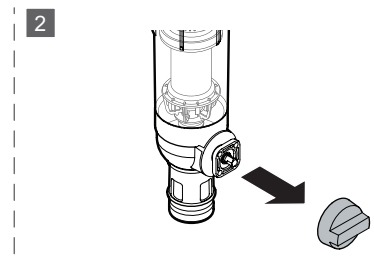
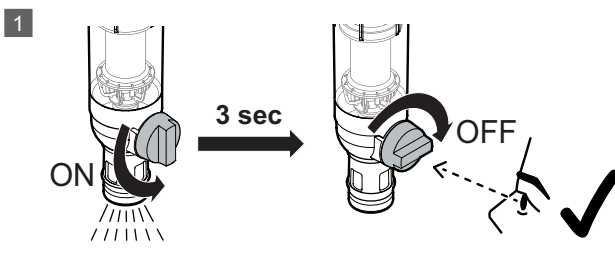
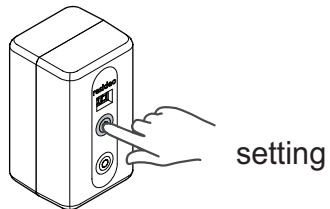
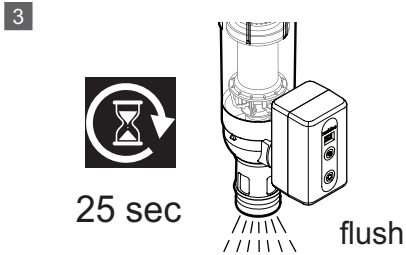
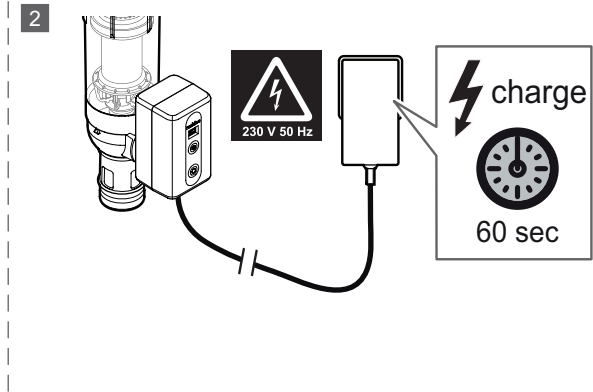
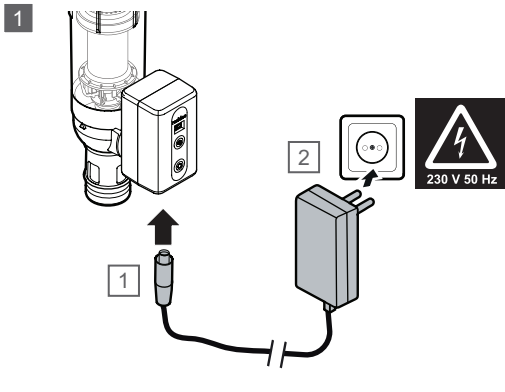


# GF JRGURED Combi automatic backwash actuator



A	DN50/70
B	DN70

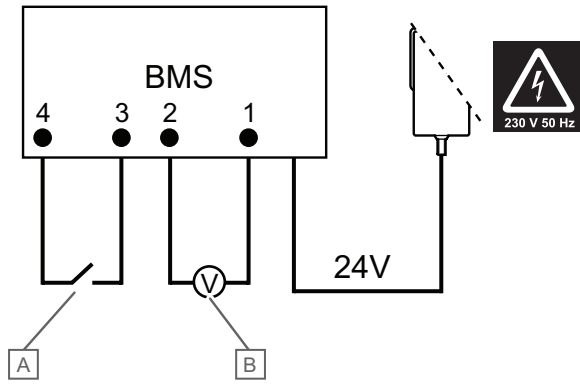




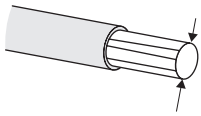
P0	2 h
P1	6 h
P2	24 h
P3	3 d
P4	7 d
P5	15 d
P6	30 d
P7	2 m
P8	3 m
P9	6 m



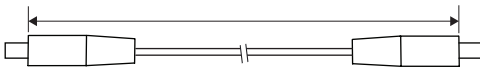
JRGURED Combi actuator



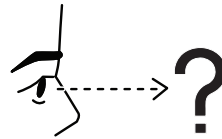
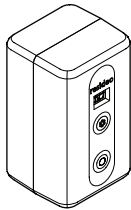
A	Open/Close contact
B	Feedback signal



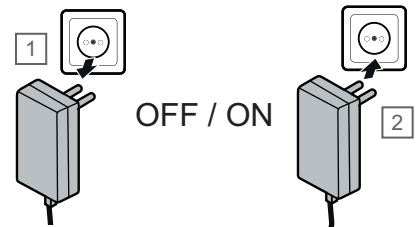
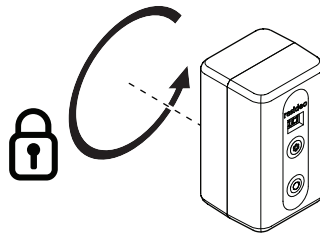
0,2 - 1 mm<sup>2</sup>



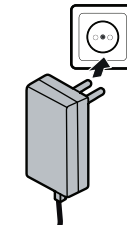
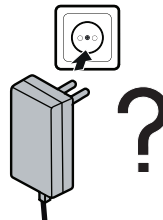
max. 30 m



E0

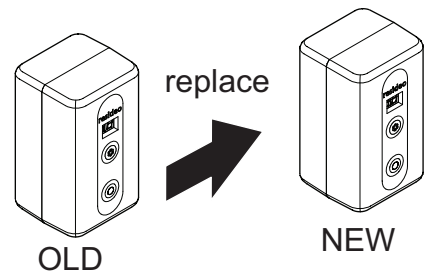


E1


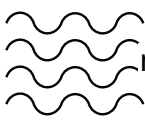
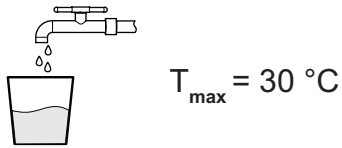
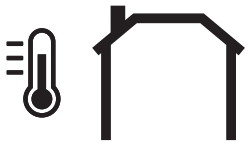




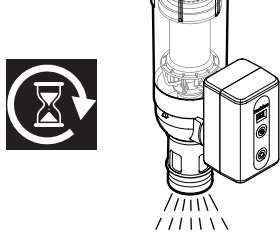


E2

SuperCap - Error





	
 medium	 $T_{\max} = 30\text{ °C}$
	0 – 55 °C
	5 – 90 %
 class	1 DIN VDE 0700-T1/EN 60335-1
 type	IP55
	2, 6, 24 h 3, 7, 15, 30 d 2, 3, 6 m <span style="border: 1px solid black; padding: 2px;">2 m = standard</span>
	25 sec

## Georg Fischer JRG AG

Hauptstrasse 130  
4450 Sissach  
Schweiz

BFS Code: 350945922 / 1187120 v1\_01\_2026  
Production: GF BFS / JLI\_ASP

Georg Fischer reserves the right to make changes, without prior notification, to the specification of incorporated components in line with its policy of continuous improvement and development.



[www.gfps.com](http://www.gfps.com)