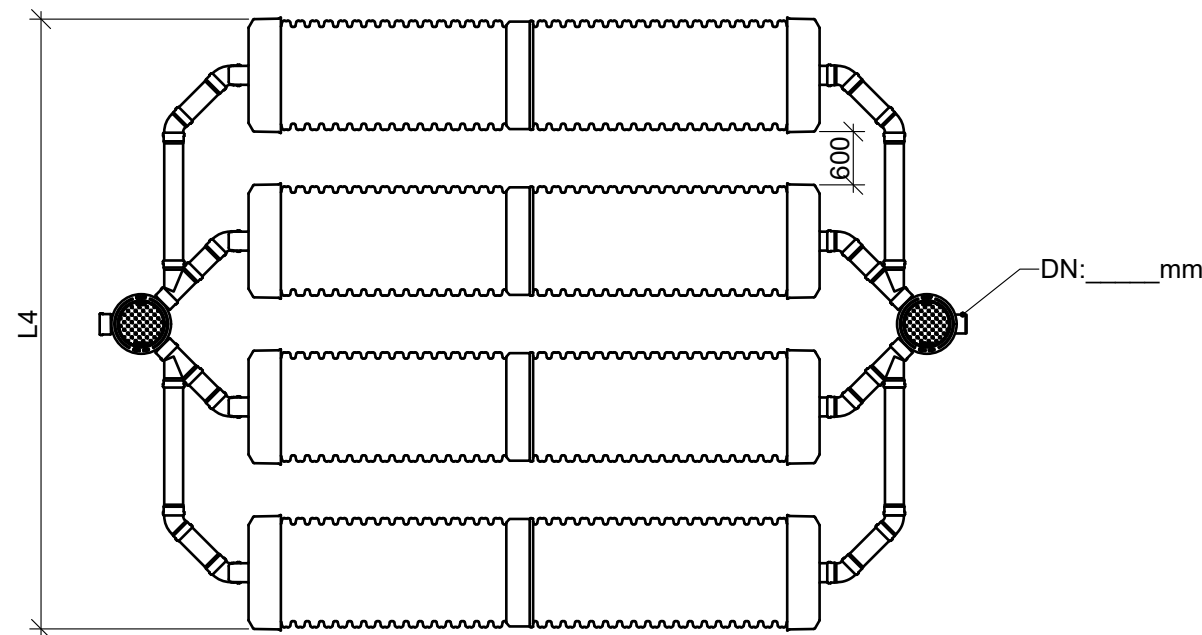
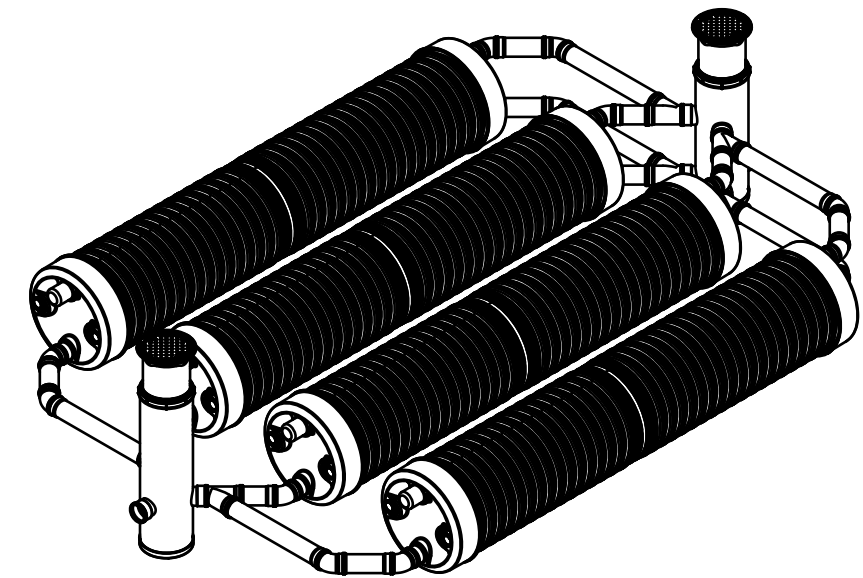
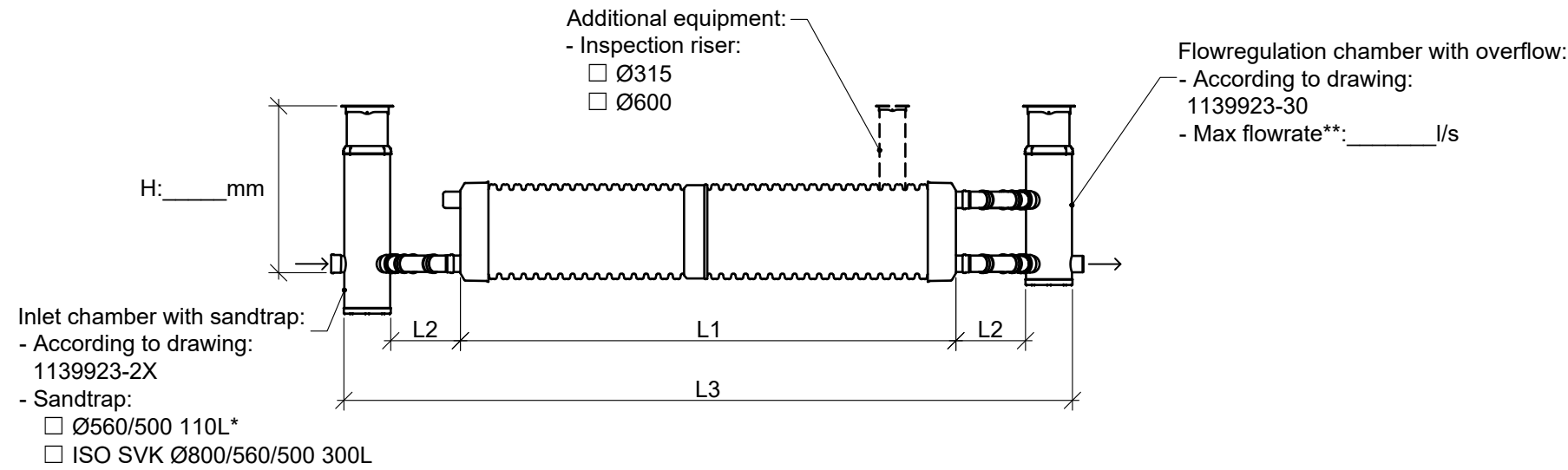


Uponor Stormwise Stormwater IQ-tank 4 strings



Dimension table [mm]			
String Ø	L2	L3	L4
680/600	≥500	L1+2120	4520
902/800	≥660	L1+2440	5410
1154/1000	≥860	L1+2840	6420
1360/1200	≥950	L1+3620	7240

*Standard option **Flowrate at full system

L1 = Length of string (Volume in table calculated for 4 strings)									
	3 m	6 m	9 m	12 m	15 m	18 m	21 m	24 m	Other length
680/600	-	<input type="checkbox"/> 6,8m ³	-	<input type="checkbox"/> 13,6m ³	-	<input type="checkbox"/> 20,4m ³	-	<input type="checkbox"/> 27,2m ³	<input type="checkbox"/> _____(1,12m ³ /m)
902/800	<input type="checkbox"/> 5,6m ³	<input type="checkbox"/> 11,2m ³	<input type="checkbox"/> 17,6m ³	<input type="checkbox"/> 23,2m ³	<input type="checkbox"/> 29,6m ³	<input type="checkbox"/> 35,2m ³	<input type="checkbox"/> 42,0m ³	<input type="checkbox"/> 47,6m ³	<input type="checkbox"/> _____(2,00m ³ /m)
1154/1000	<input type="checkbox"/> 8,4m ³	<input type="checkbox"/> 16,8m ³	<input type="checkbox"/> 27,2m ³	<input type="checkbox"/> 36,0m ³	<input type="checkbox"/> 46,0m ³	<input type="checkbox"/> 54,8m ³	<input type="checkbox"/> 65,2m ³	<input type="checkbox"/> 73,6m ³	<input type="checkbox"/> _____(3,12m ³ /m)
1360/1200	<input type="checkbox"/> 11,6m ³	<input type="checkbox"/> 23,6m ³	<input type="checkbox"/> 38,0m ³	<input type="checkbox"/> 49,6m ³	<input type="checkbox"/> 64,4m ³	<input type="checkbox"/> 76,0m ³	<input type="checkbox"/> 90,4m ³	<input type="checkbox"/> 102,4m ³	<input type="checkbox"/> _____(4,52m ³ /m)



CASE NUMBER	DRAWN BY	HANDLED BY
	---	---
DATE	CONTACT PERSON	
30.09.2022	---	
CONTENT		
UPONOR STORMWISE IQ RETENTION TANK		
SCALE	NUMBER	
1:80 (A3)	1139923-4	