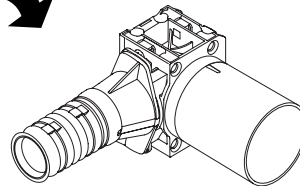
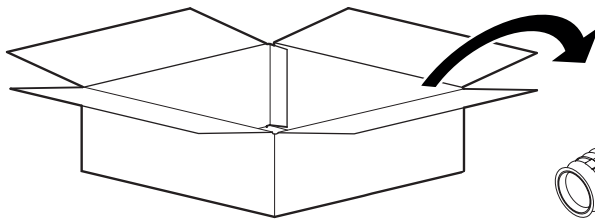
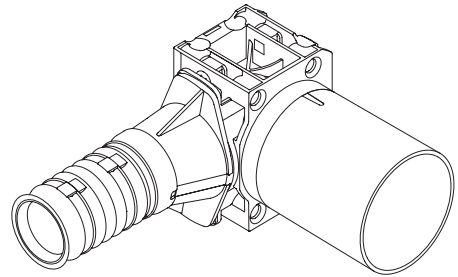


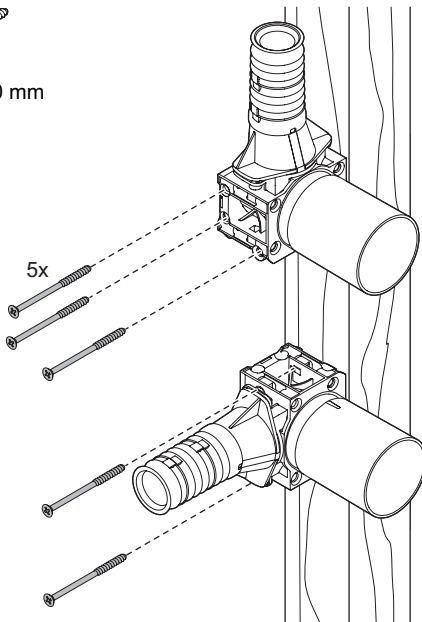
## GF JRG Sanipex box



M4 x 70 mm  
M4,5 x 90 mm  
M5 x 18 mm



M4,5 x 90 mm

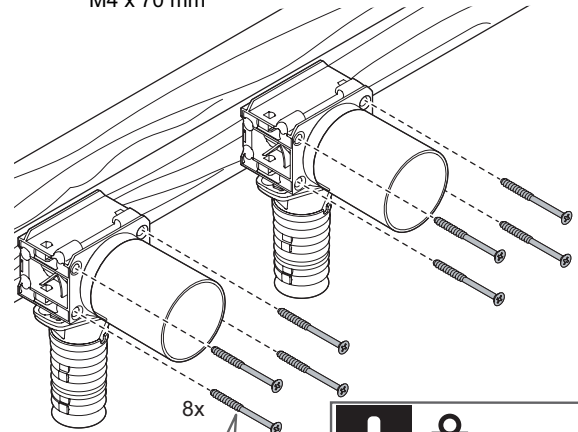


! max. 1,5 Nm

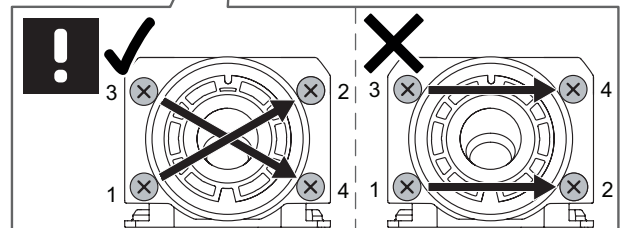
A

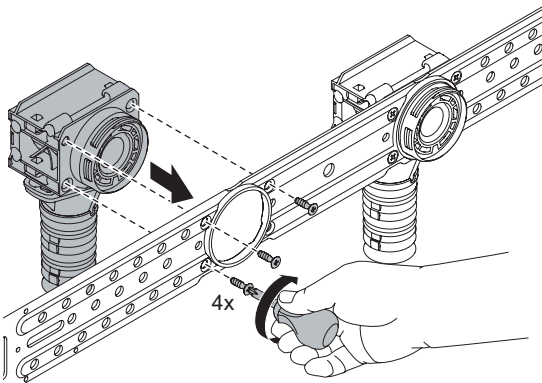
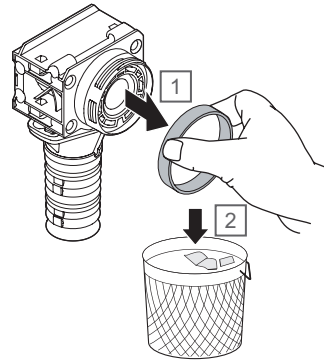
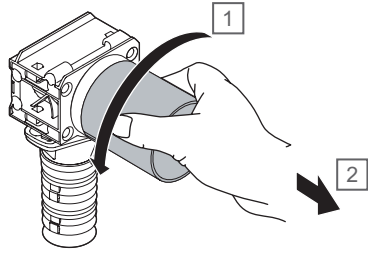


M4 x 70 mm

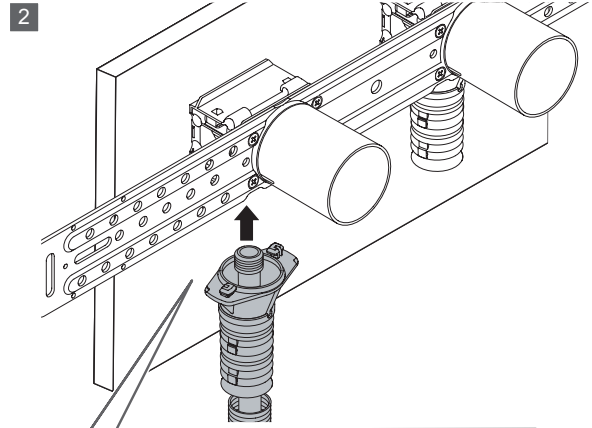
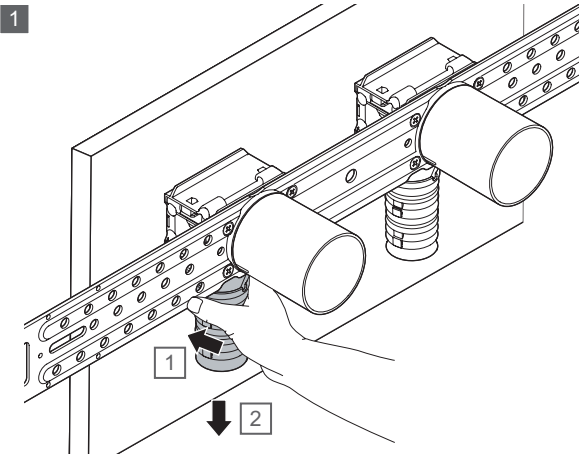
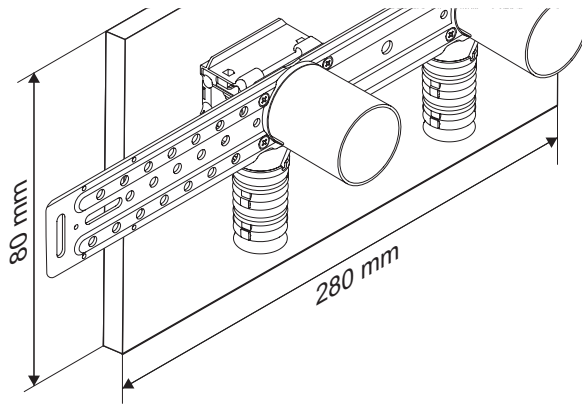
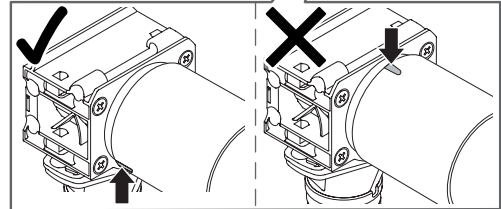
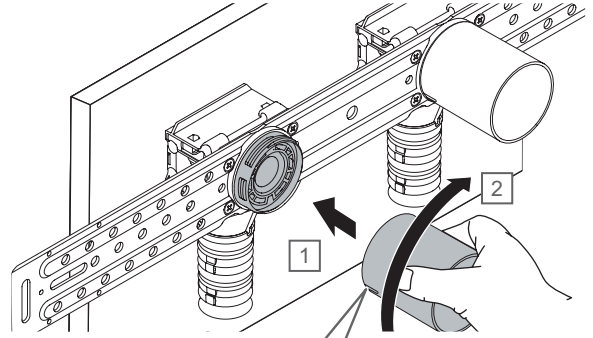


! max. 1,5 Nm





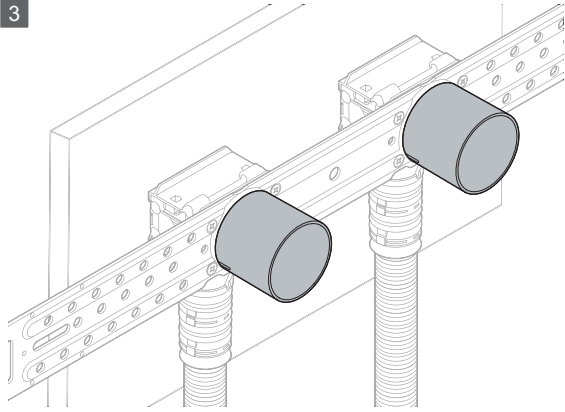
 M5 x 18 mm



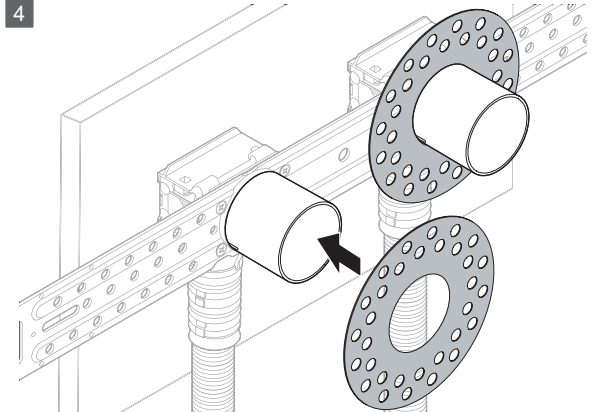
 GF IM Sanipex  
fitter's toolkit 12-20  [www.uponor.com/services/  
download-centre](http://www.uponor.com/services/download-centre)



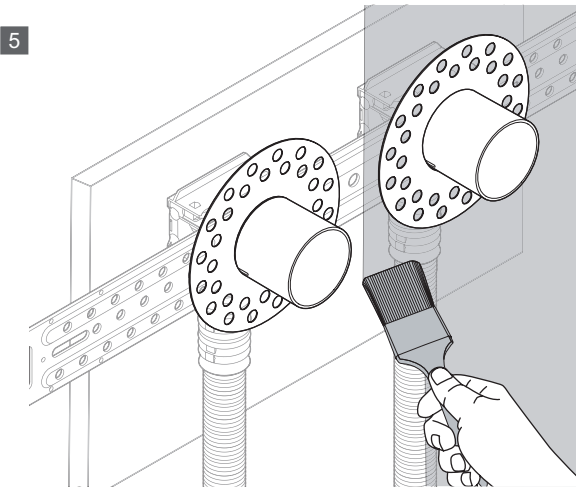
3



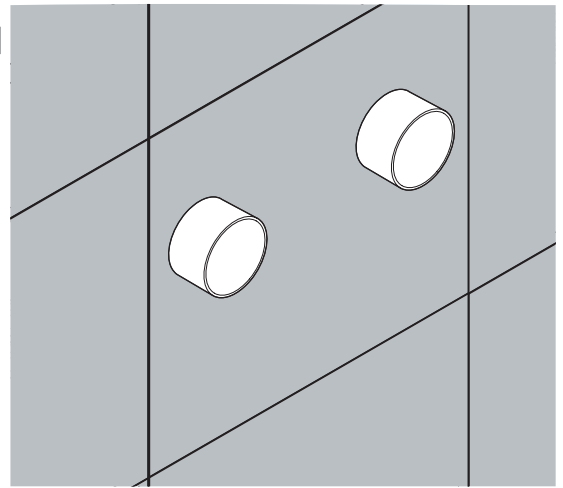
4



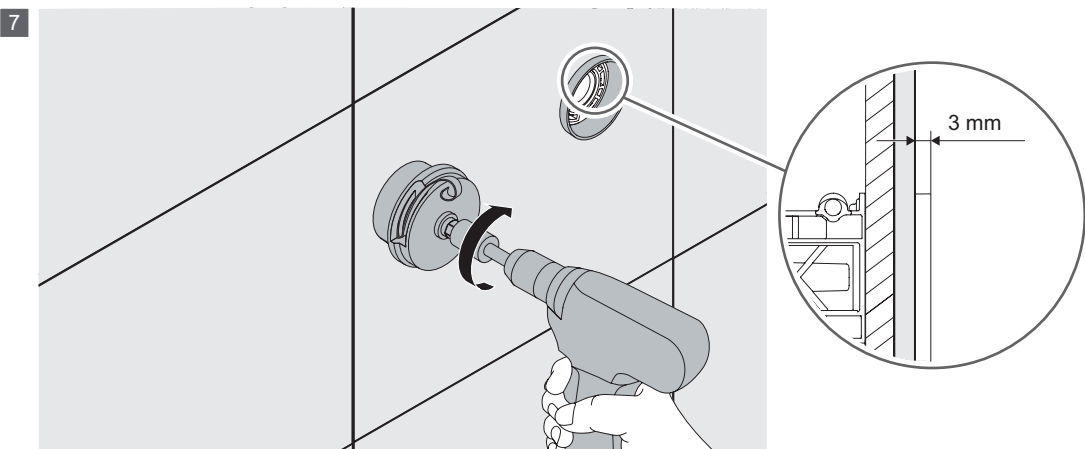
5



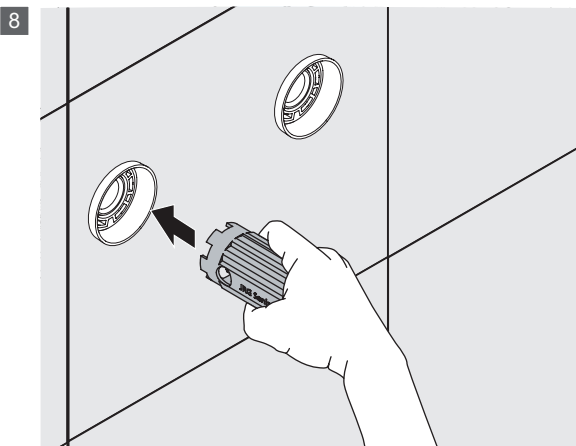
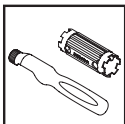
6



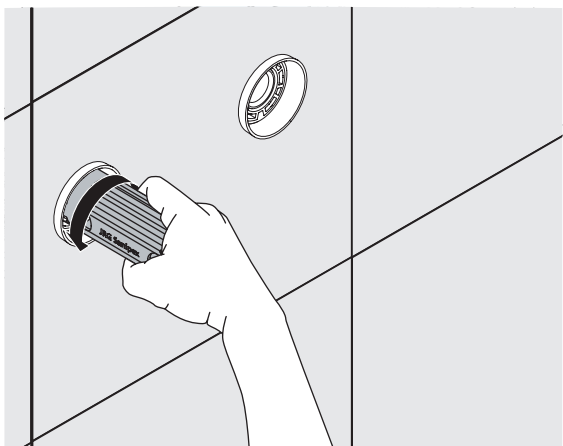
7

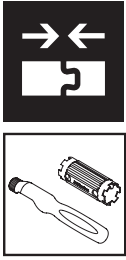


8

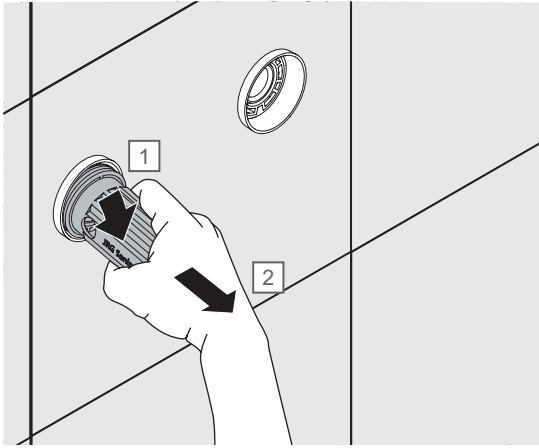


9

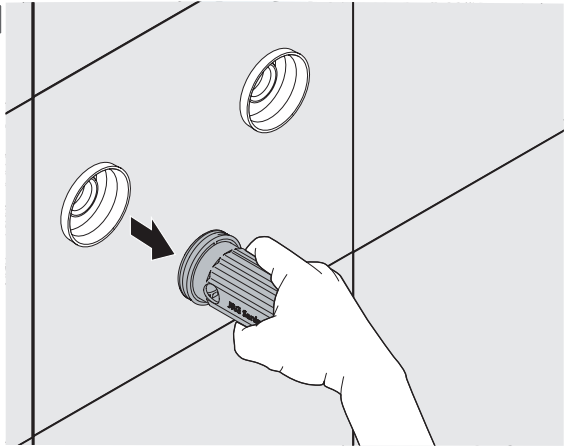




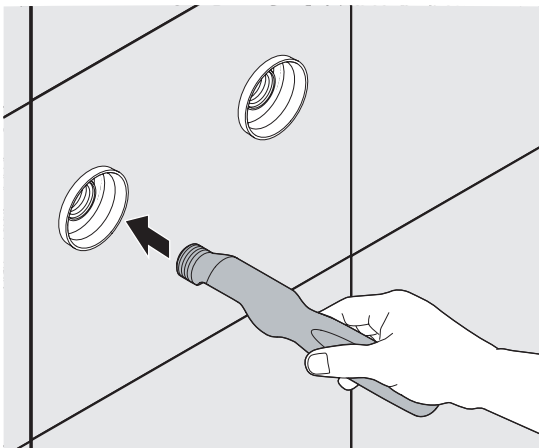
10



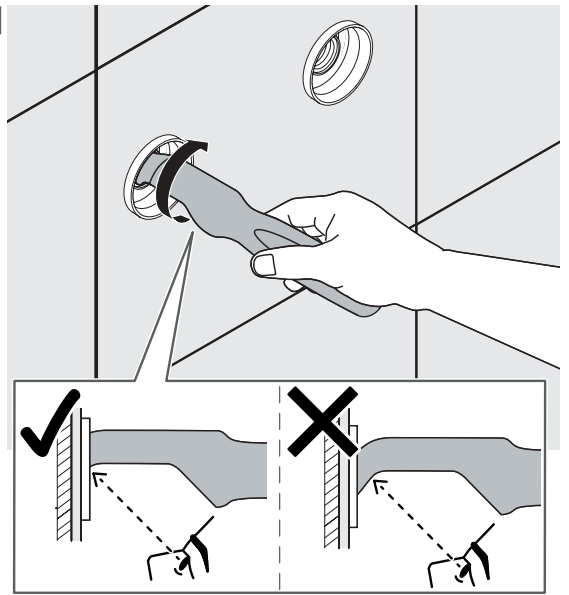
11



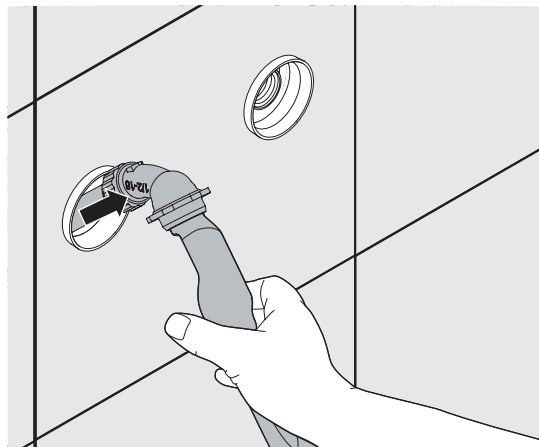
12



13



14



## Georg Fischer JRG AG

Hauptstrasse 130  
CH-4450 Sissach

350 945 868/03.26/©Georg Fischer JRG AG  
1161445 v2\_03\_2026\_INT  
GF / JLI ASP

Uponor reserves the right to make changes, without prior notification, to the specification of incorporated components in line with its policy of continuous improvement and development.



[www.uponor.com](http://www.uponor.com)