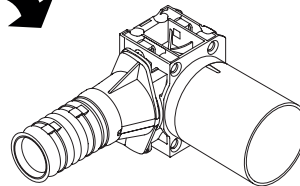
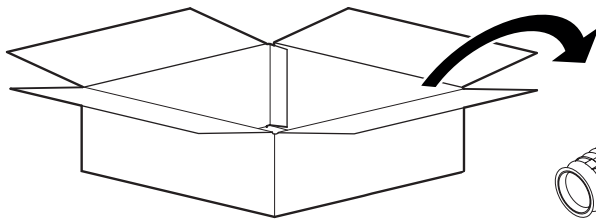
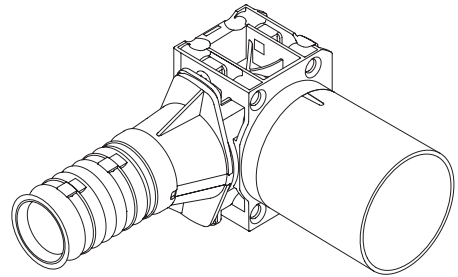


JRG Sanipex wallbox



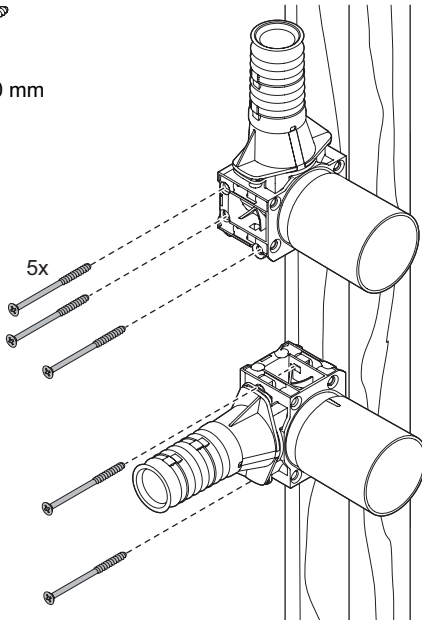
M4 x 70 mm
M4,5 x 90 mm
M5 x 18 mm



A



M4,5 x 90 mm

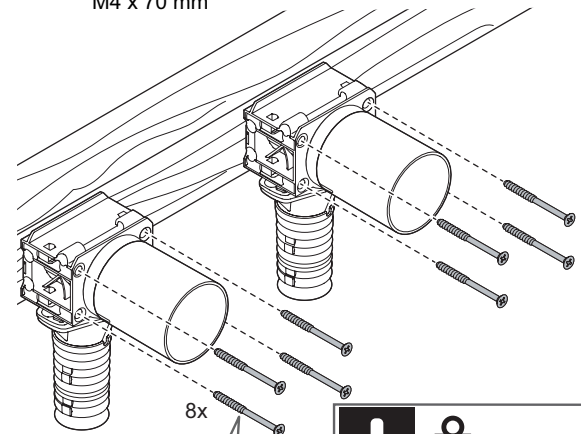


max. 1,5 Nm

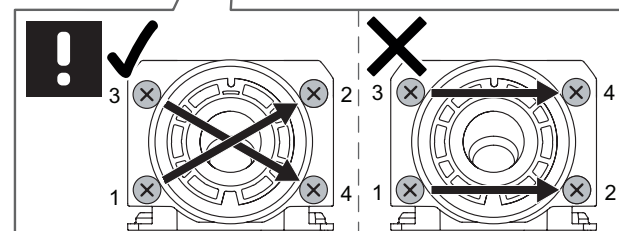
B

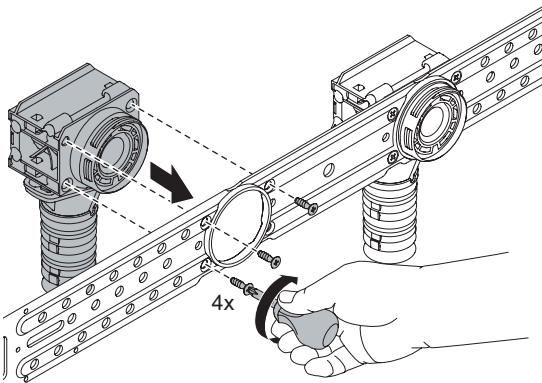
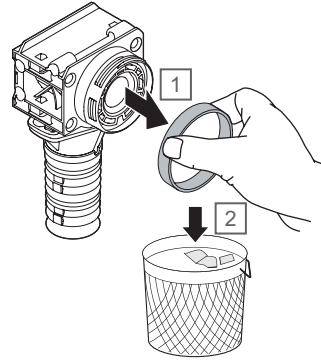
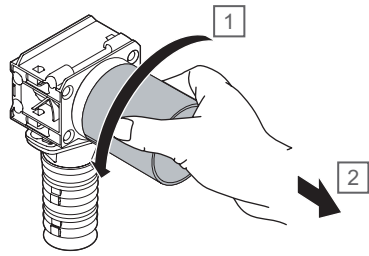


M4 x 70 mm

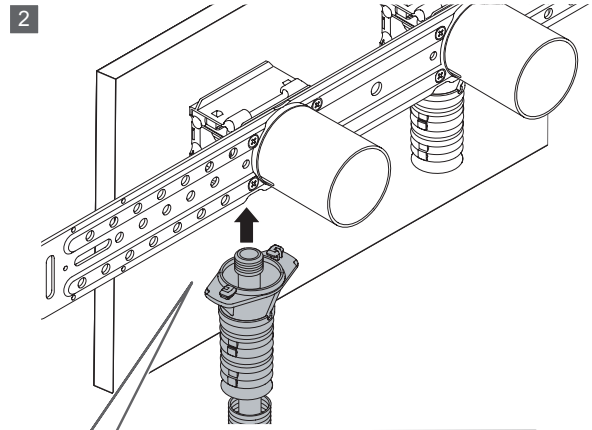
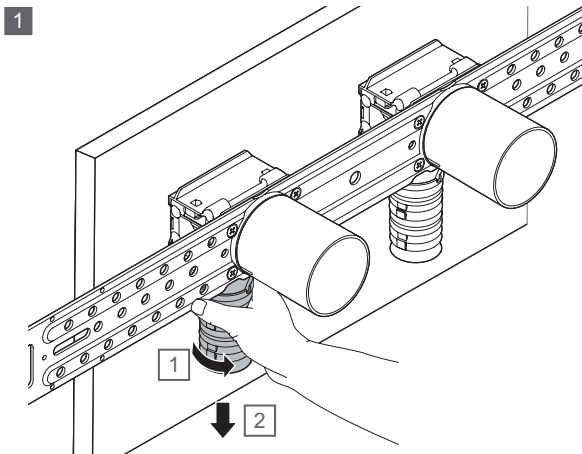
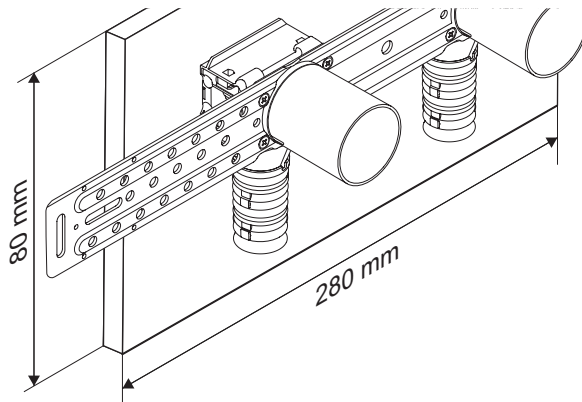
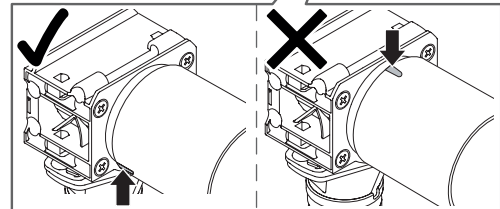
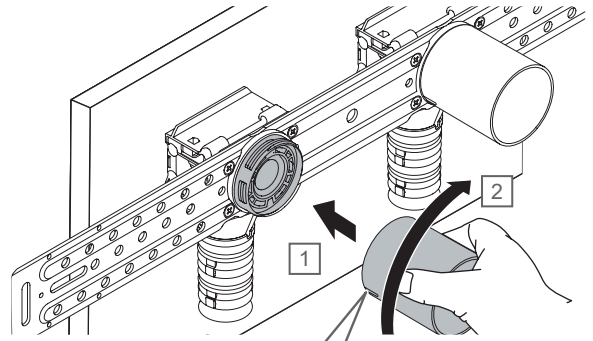


max. 1,5 Nm





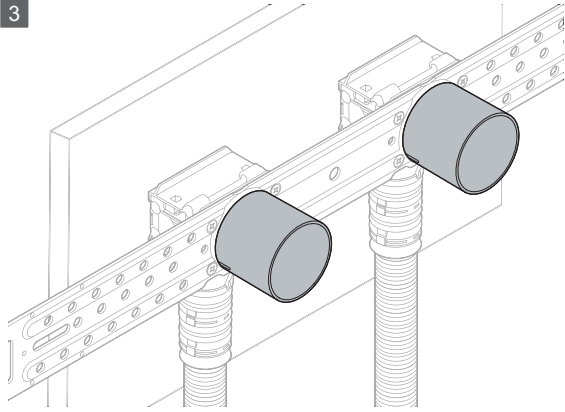
 M5 x 18 mm



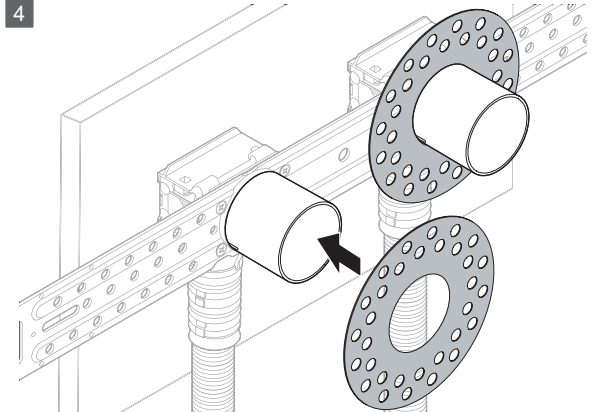
 GF IM Sanipex
fitter's toolkit 12-20  www.uponor.com/services/download-centre



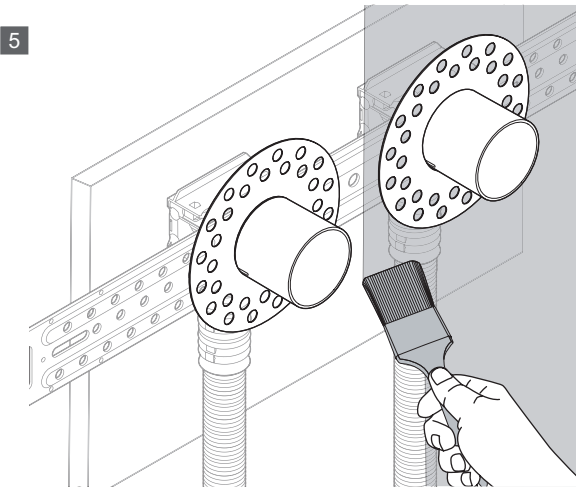
3



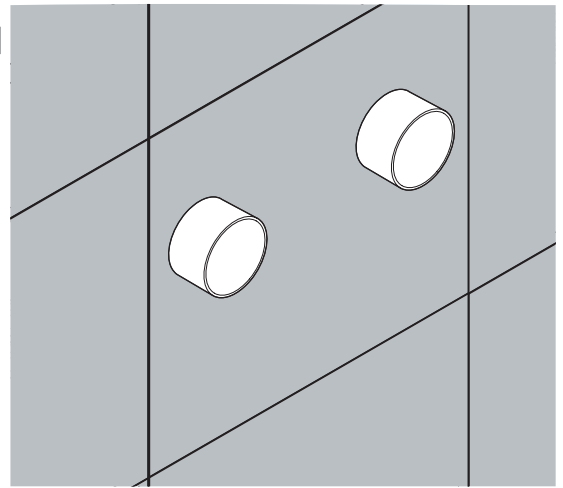
4



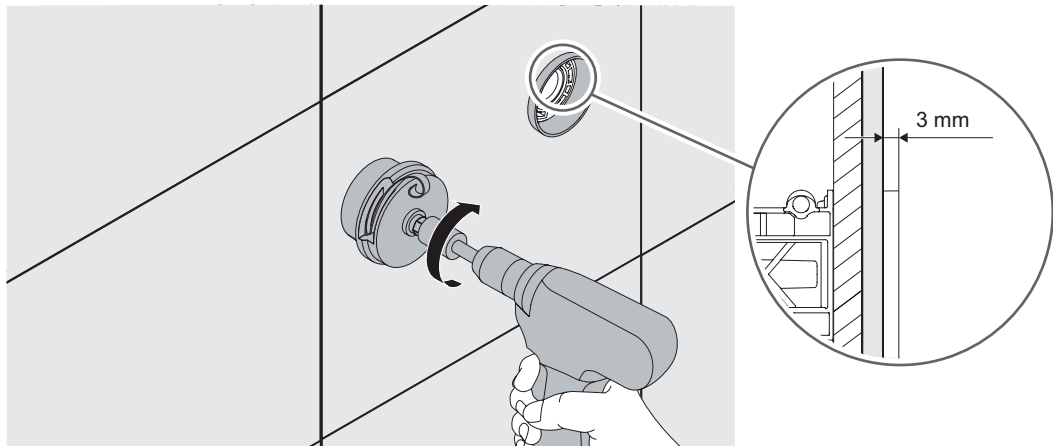
5



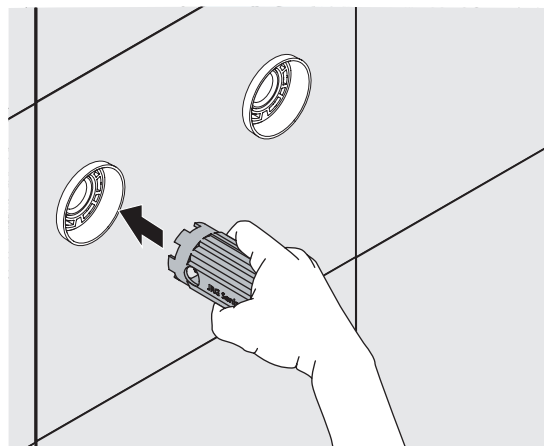
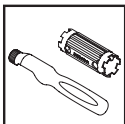
6



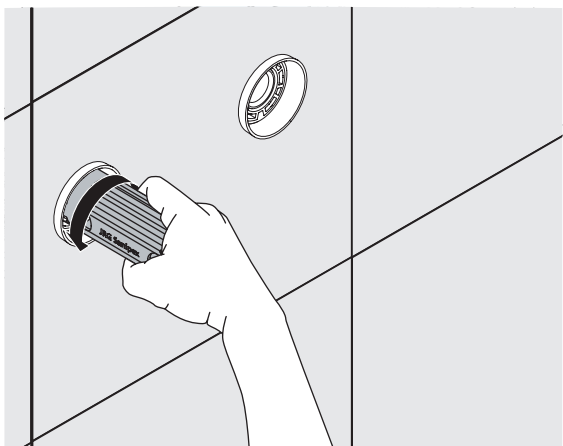
7

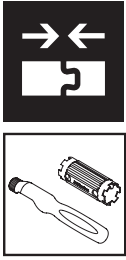


8

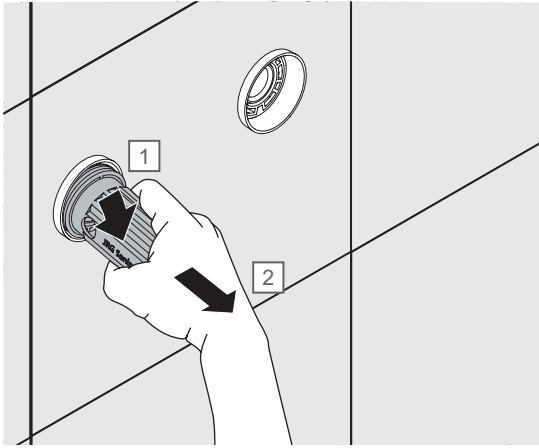


9

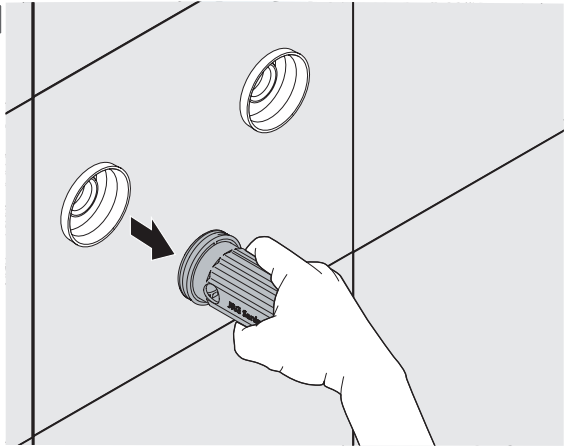




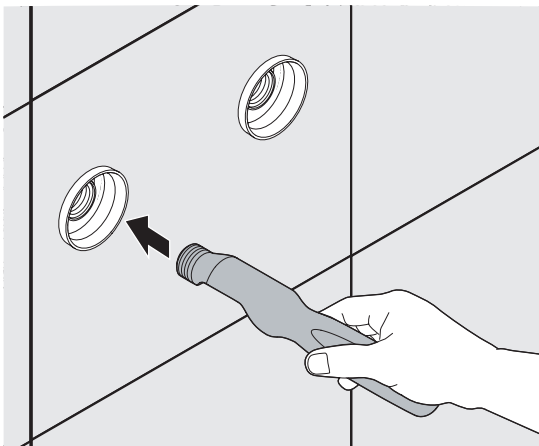
10



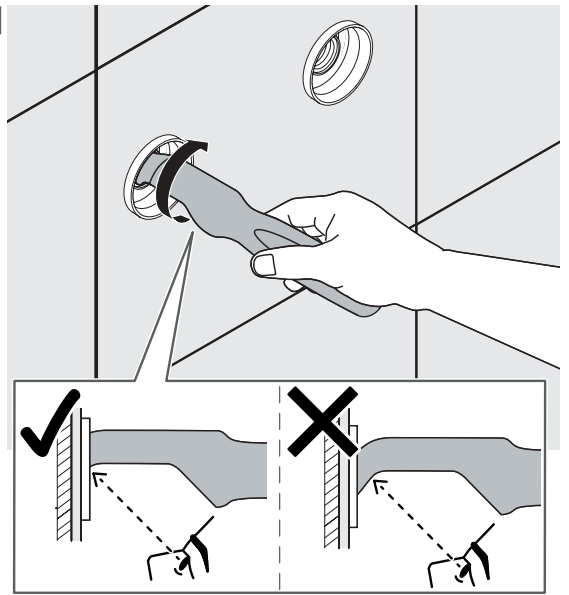
11



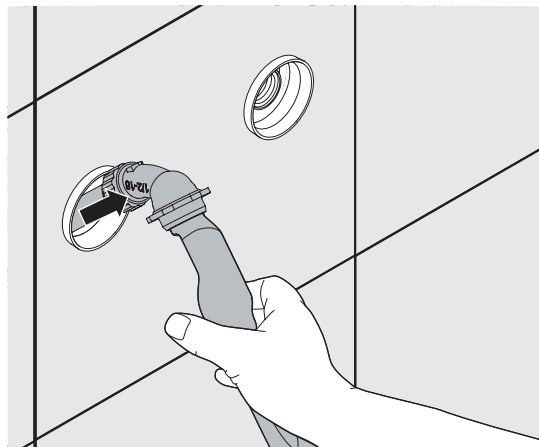
12



13



14



Georg Fischer JRG AG

Hauptstrasse 130
4450 Sissach

350 945 868/©Georg Fischer JRG AG
1188157 v1_04_2026
GF / JLI ASP

Uponor reserves the right to make changes, without prior notification, to the specification of incorporated components in line with its policy of continuous improvement and development.



www.uponor.com