

# Fact Sheet Stormwise Filter Chamber

## Effective solution for stormwater purification

### Removal of pollutants from stormwater

The GF Stormwise filter chamber filters heavy metals, bacteria, phosphorus, oil, and particles from stormwater. The filter chamber is used in places where cleaning requirements are high, such as parking lots, busy road sections and factory areas. Stormwater is treated by both sedimentation and filtration. Heavier pollutants settle at the bottom of the chamber, and the filter removes finely dispersed contaminants from the effluent water.

A filter chamber is used if a low water flow is expected and a high level of purification is needed.



#### Compliant with local regulations

Accelerates your project timeline and simplifies approvals by authorities.



#### Complete and prefabricated

Saves up to 50% installation time and reduces risks for installation errors.



#### Compact and robust

Saves up to 50% space and allows flexible placement, even under traffic load.

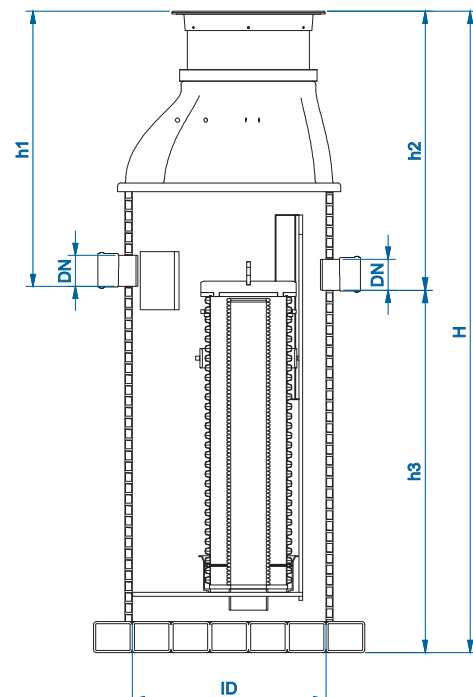


#### Convenient and accessible

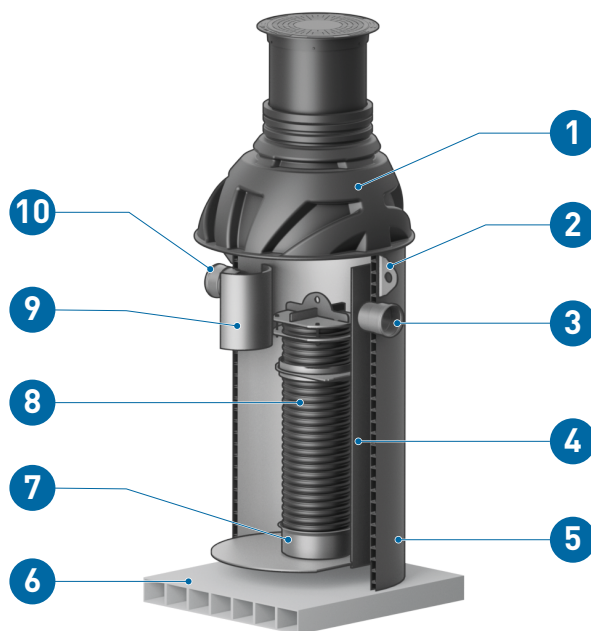
For reliable operation and easy maintenance.

## Technical data

<b>Application</b>	Purification of stormwater
<b>Material (body)</b>	PE 100
<b>Color</b>	Black (outside), white (inside)
<b>Filter size</b>	1.5 m or 2.0 m
<b>Inner diameter (ID)</b>	1000 - 2400 mm
<b>Height (H)</b>	2865 - 4030 mm
<b>In/out diameter (DN)</b>	160 - 500 mm
<b>Weight</b>	350 - 2030 kg
<b>Inlet position below ground level (h1)</b>	1040 - 1600 mm
<b>Outlet position below ground level (h2)</b>	1040 - 1600 mm
<b>Outlet position above base (h3)</b>	1825 - 2430 mm
<b>Functional flow rate</b>	5 - 60 l/s
<b>Maximum flow rate</b>	25 - 300 l/s
<b>Approvals</b>	IKT seal
<b>Standards</b>	EN 13476
	EN 13598
	DWA-A 102-2 category III



# Components



Pos.	Designation	Pos.	Designation
1	Filter chamber top	6	Self-anchoring base plate
2	Lifting yoke	7	Filter base
3	Outlet	8	Filter cartridge
4	Separating wall	9	Inlet deflector
5	Body	10	Inlet

## Customizable components

- Chamber size
- Riser height
- Chamber top types

### Chamber top types and sizes (selection)

Type A	Type B	Type C	Type D	Type E
ø860/800 With safety gate	600x600 metal 800x800 metal	ø600 GE 40tn ø630 GE 40tn	ø630 GE 40tn ø800 GE 40tn	ø600 no lid ø800 no lid ø1000 no lid
				

## Optional components

- Alarm system ASA-02

## Item numbers

Item no.	Description
35001138347	Filter chamber
35001135105	Filter 1.5 m
35001135106	Filter 2.0 m
35001144331	Filter material



**Speak to an expert**  
 Discover how Stormwise solutions can transform your stormwater management.  
[www.gfps.com/stormwise](http://www.gfps.com/stormwise)

The information and technical data (altogether "Data") herein are not binding, unless explicitly confirmed in writing. The Data neither constitutes any expressed, implied or warranted characteristics, nor guaranteed properties or a guaranteed durability. All Data is subject to modification. The General Terms and Conditions of Sale of Georg Fischer Piping Systems apply.

