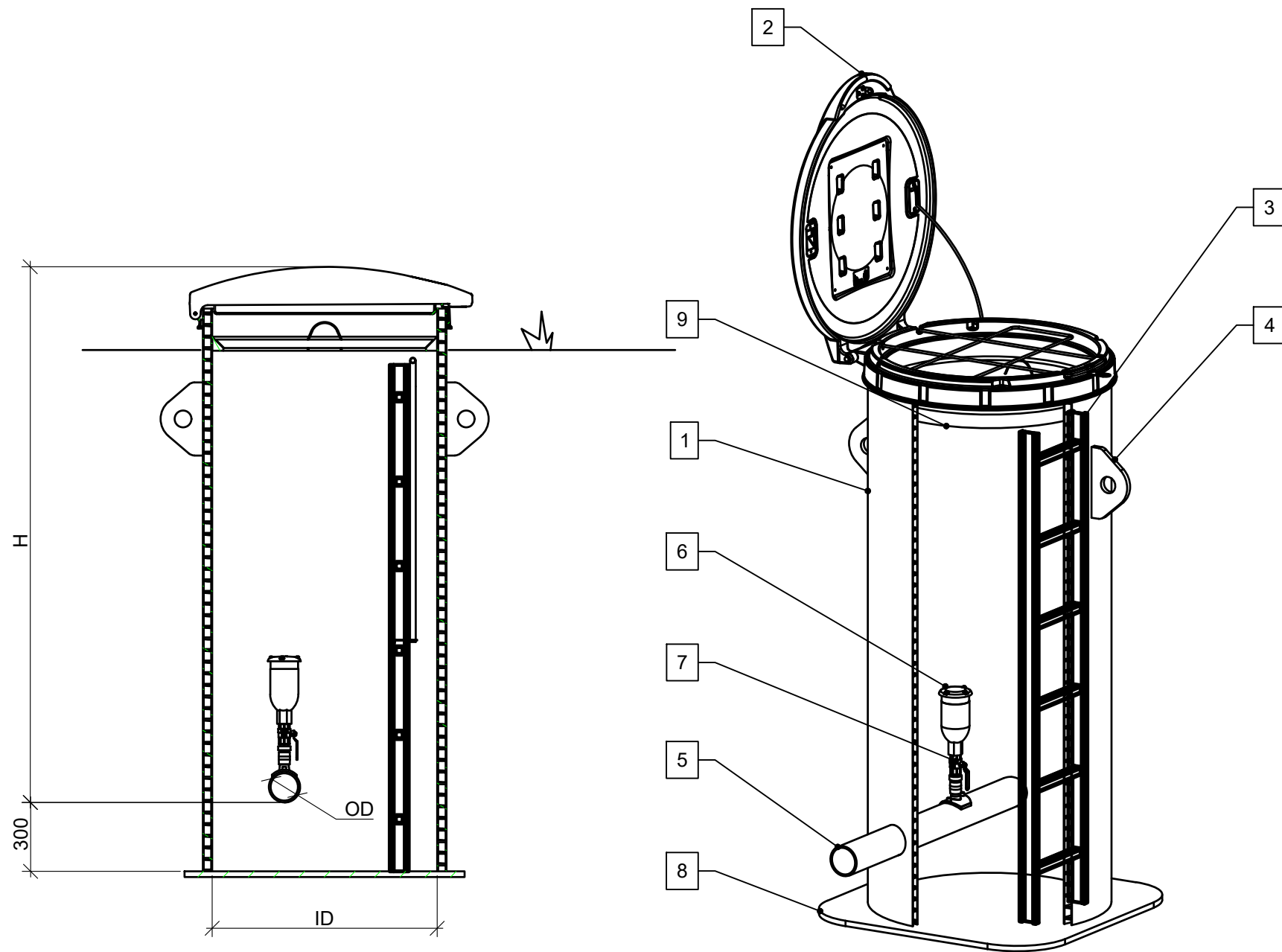


Uponor Flowise Air release chamber Ø800, on-line



Air release chamber 800			
Pos.	Description	Model/Size	Qty.
1	Chamber body PE100	ID 800	1
2	Chamber top	Lockable lid 800 with fallprotection	1
3	Ladder	Acc. selection	0-1
4	Lifting yoke		2-4
5	Pressure pipe	Acc. selection	1
6	Air release valve	Acc. selection	1
7	Ball valve/Gate valve	Acc. selection	1-2
8	Bottom, self anchoring		1
9	Insulation lid	() YES () NO	1

Selections	
Feature	Selection
Ladder*	() YES () NO
Groundwater level above invert	() YES () NO _____ m
Handrail*	() YES () NO
Pressure pipe depth from ground level	H= _____ mm
Pressure pipe diameter	D= _____ mm
Air release valve type	() Wastewater () Potable water
Valve function	() 1 way () 2 way () 3 way
Valve size	() 1" () 2" () DN50 () DN80 () DN100
Pressure gauge*	() YES () NO
Spool valve + connection*	() YES () NO

uponor

WWW.UPONOR.COM

CASE NUMBER	DRAWN BY	HANDLED BY
	---	---
DATE	CONTACT PERSON	
09.08.2023	---	
CONTENT		
Air release chamber Ø800, on-line		
SCALE	NUMBER	
1:20 (A3)	1140531-3	