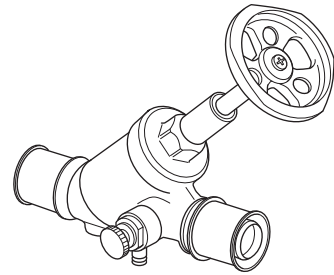






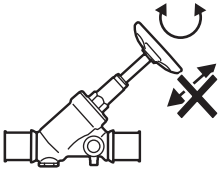
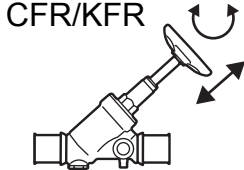
Uponor S-Press PLUS angle seat valve/valve CFR







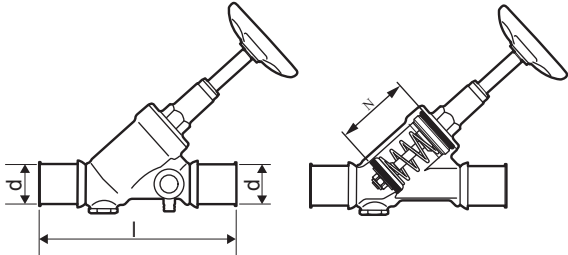
S0000025




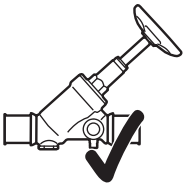
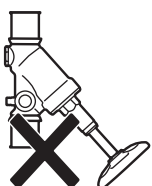

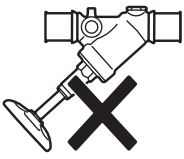


 DIN EN 806, DIN EN 1213, DIN EN 1717, DIN EN 13959
 DIN 3502

 DIN 4109 - valve group 1










 > 5 bar 

 max. 70 °C
 (ISO 10508 part 2)
 2 - 4 bar (min. 1 bar)

d [mm]	l [mm]	N ± 1,5 [mm]
20	75	43
25	90	52
32	110	63
40	120	72

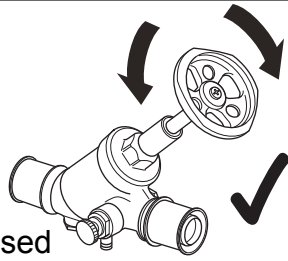







 Uponor S-Press PLUS
 


www.uponor.com/services/download-centre

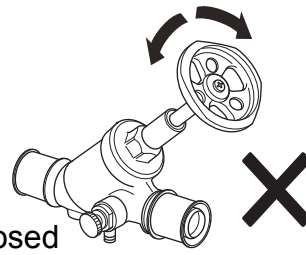
S0000517



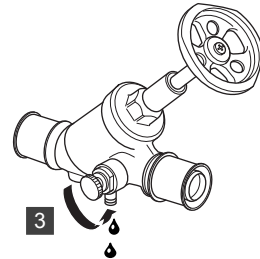
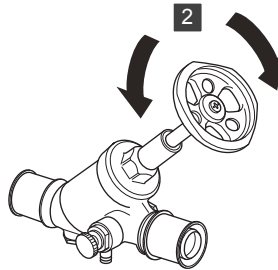
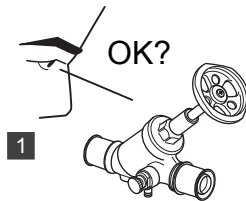
100%
open/closed



< 100%
open/closed



1x/ year



S10000518

Uponor GmbH

Industriestraße 56,
D-97437 Hassfurt, Germany

1135077 v1_04_2022_INT
Production: Uponor/DCO

Uponor reserves the right to make changes, without prior notification, to the specification of incorporated components in line with its policy of continuous improvement and development.



www.uponor.com