

4

3

2

1

F

F

E

E

D

D

C

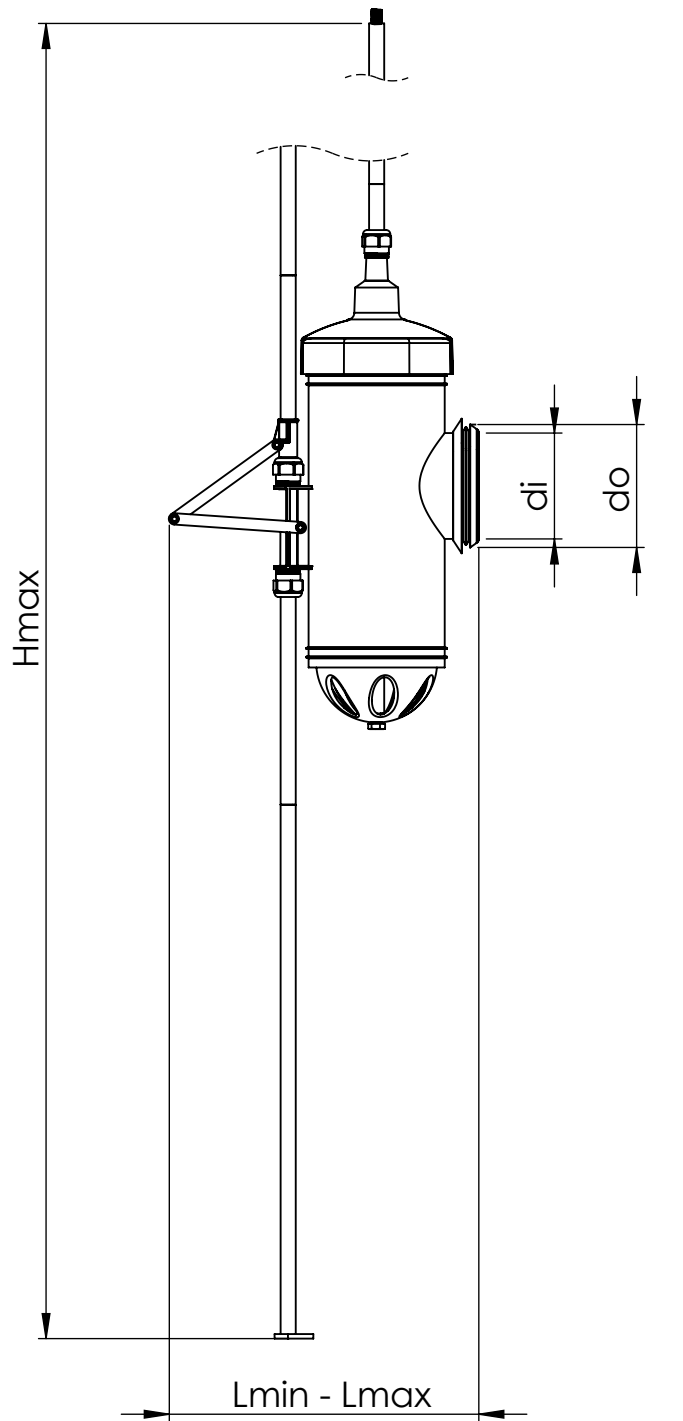
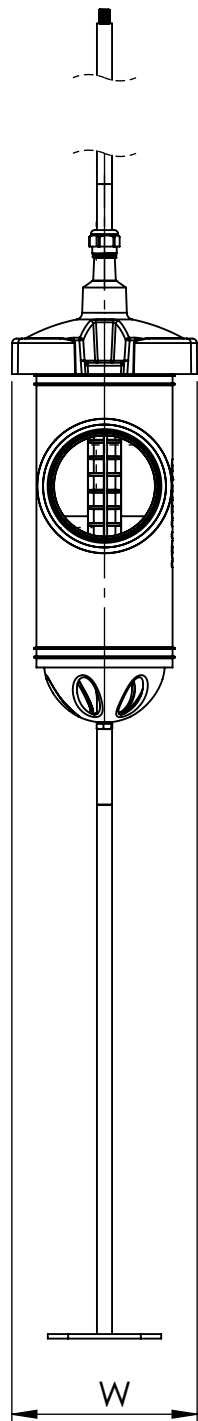
C

B

B

A

A



Item	Lmin.	Lmax.	Hmax.	do	di	W	Weight
1143762	275	576	2500	160	140	245	4,5

uponor

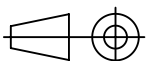
Description

Z-Drawing
Item 1143762

Drawing number

0000341992_Zdim

Sheet: 1/1



4

3

2

1