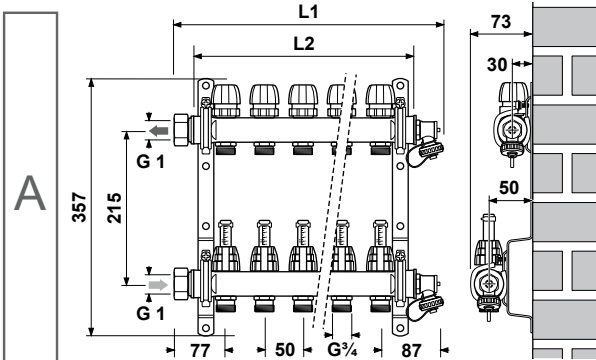
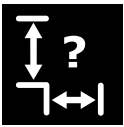
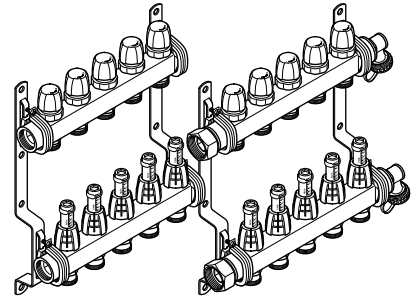
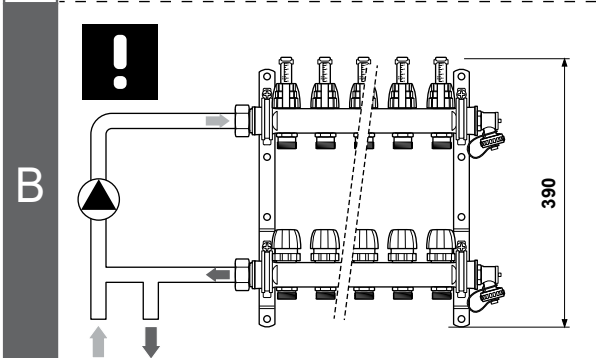


# Uponor

## Uponor Vario S Manifold FM



n	L1 [mm]	L2 [mm]	n	L1 [mm]	L2 [mm]
2	214	155	10	614	555
3	264	205	11	664	605
4	314	255	12	714	655
5	364	305	13	764	705
6	414	355	14	814	755
7	464	405	15	864	805
8	514	455	16	914	855
9	564	505			



$\vartheta_{sec} = 15 - 60^{\circ}C$



$P_{max} = 6 \text{ bar}$



$P_{test} = 10 \text{ bar}$



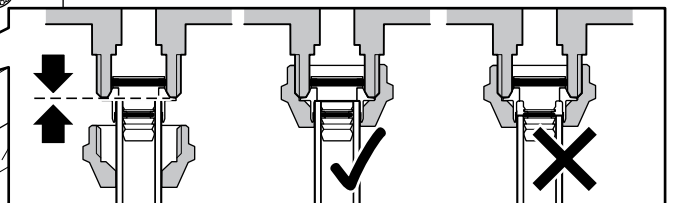
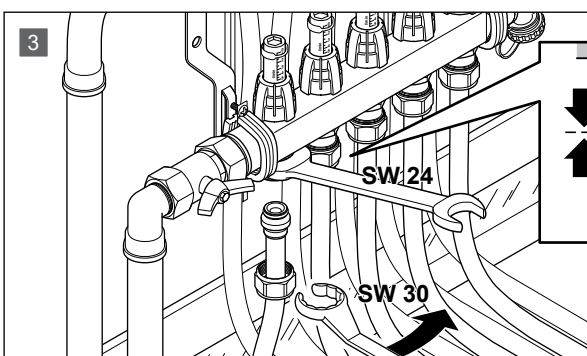
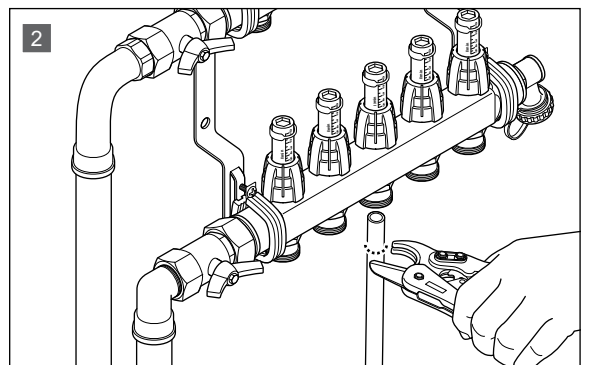
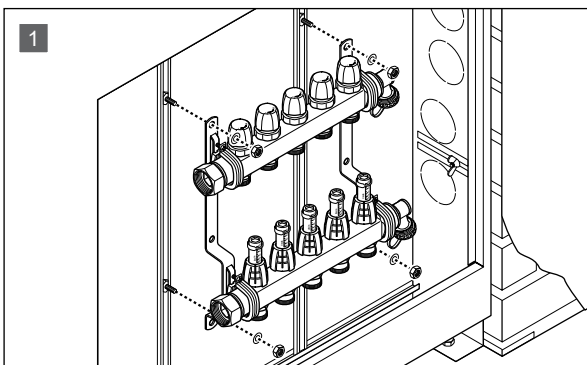
$kvs = 0,95 \text{ m}^3/h$



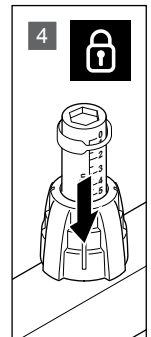
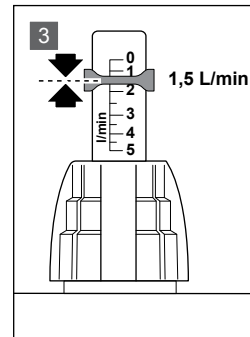
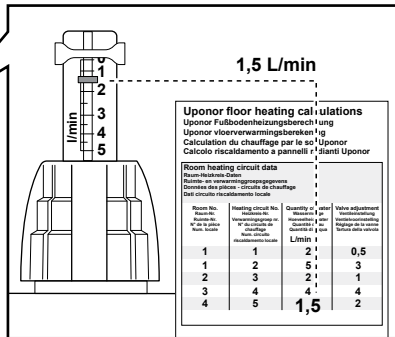
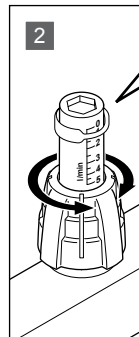
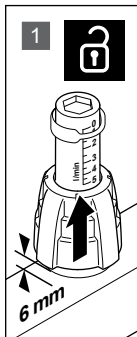
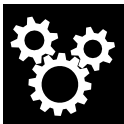
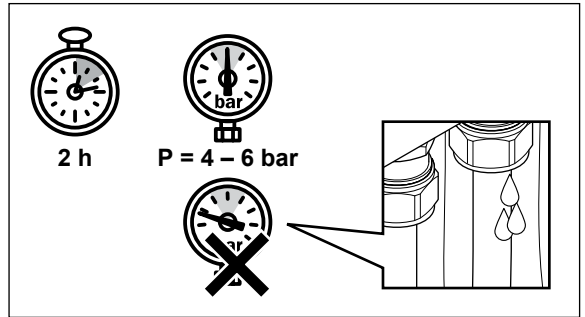
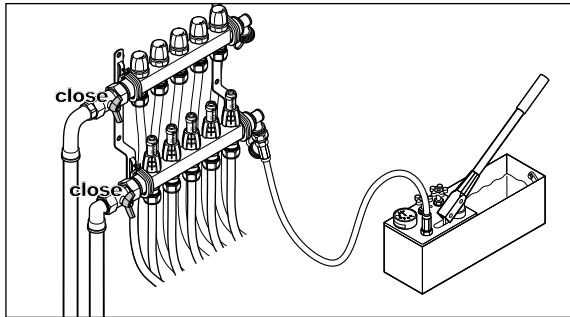
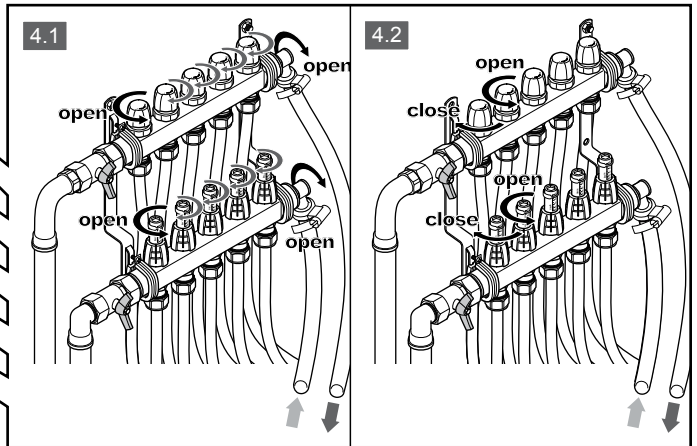
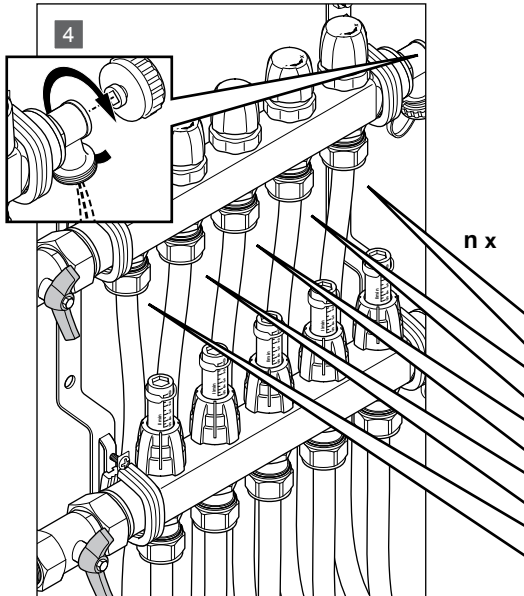
$kvs = 2,83 \text{ m}^3/h$



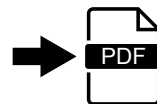
$\dot{V}_{max} = 3,6 \text{ m}^3/h$   
(12 loops)



max. 25-30 Nm



Uponor Vario S



[www.uponor.com/services/download-centre](http://www.uponor.com/services/download-centre)

## Uponor GmbH

Industriestraße 56,  
D-97437 Hassfurt, Germany

1087620 v3\_10\_2023  
Production: Uponor / SDE

Uponor reserves the right to make changes, without prior notification, to the specification of incorporated components in line with its policy of continuous improvement and development.



[www.uponor.com](http://www.uponor.com)