

4

3

2

1

F

F

E

E

D

D

C

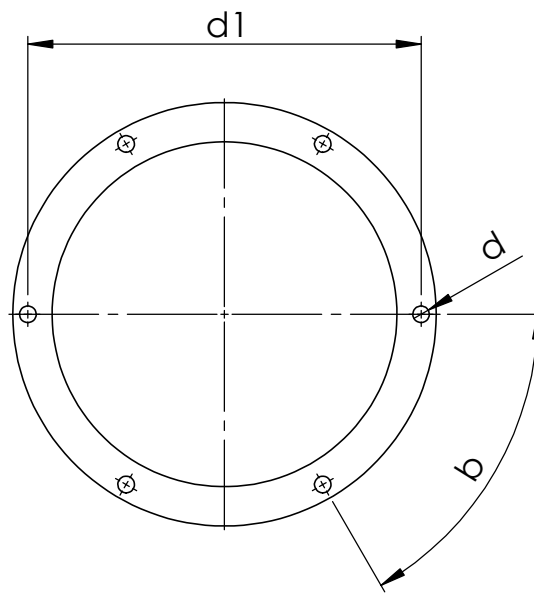
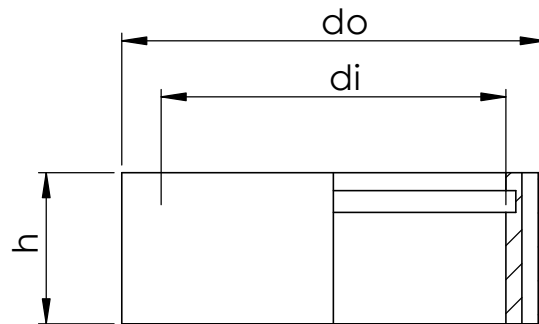
C

B

B

A

A



Item	Size	d	d1	di	do	h	b
1133036	225	11	260	228	280	100	6x60°
1068749	250	11	290	253	320	100	6x60°
1068750	315	11	362	319	400	100	8x45°
1068751	400	11	450	404	482	100	8x45°
1068752	500	11	550	505	585	150	8x45°

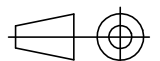
Uponor

Description
INFRA
Mounting Dimensions
Chamber components
Chamber site connection 225-500

Drawing number

Z_Chamber_site_connection_225_500

Sheet: 1/1



4

3

2

1