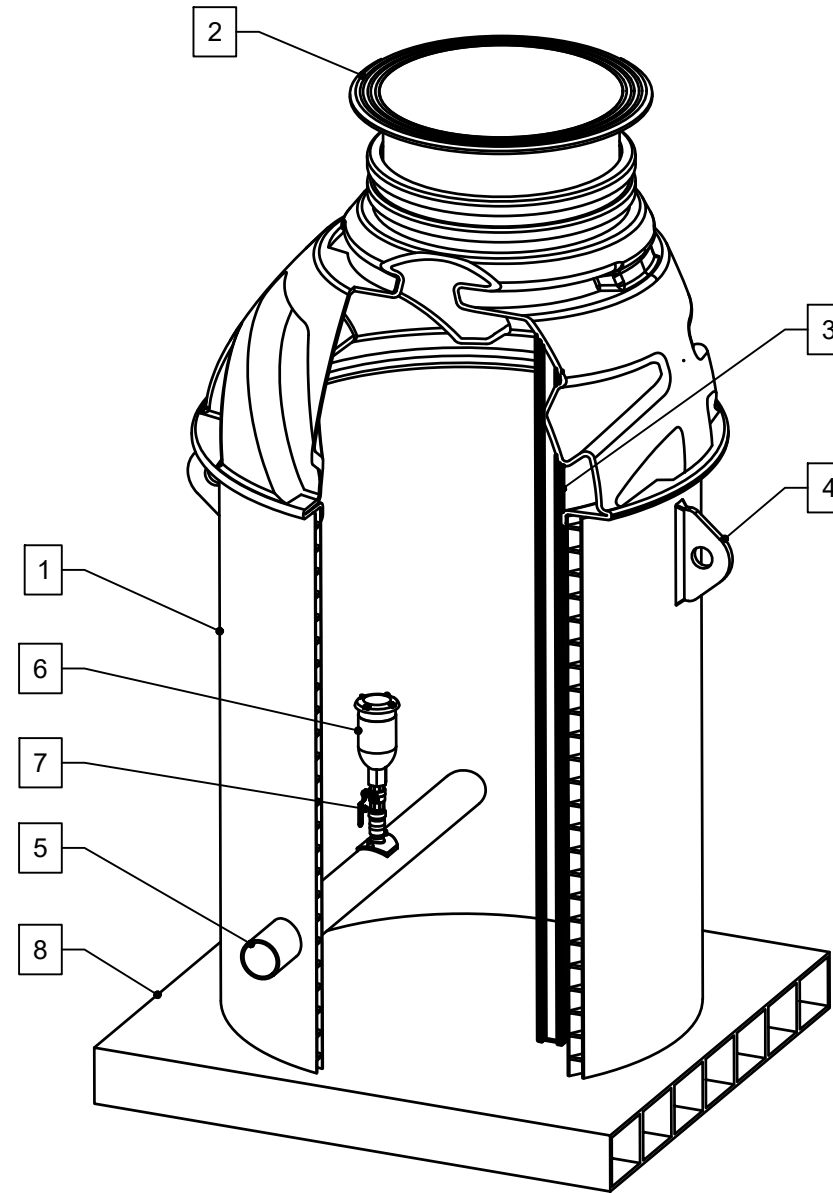
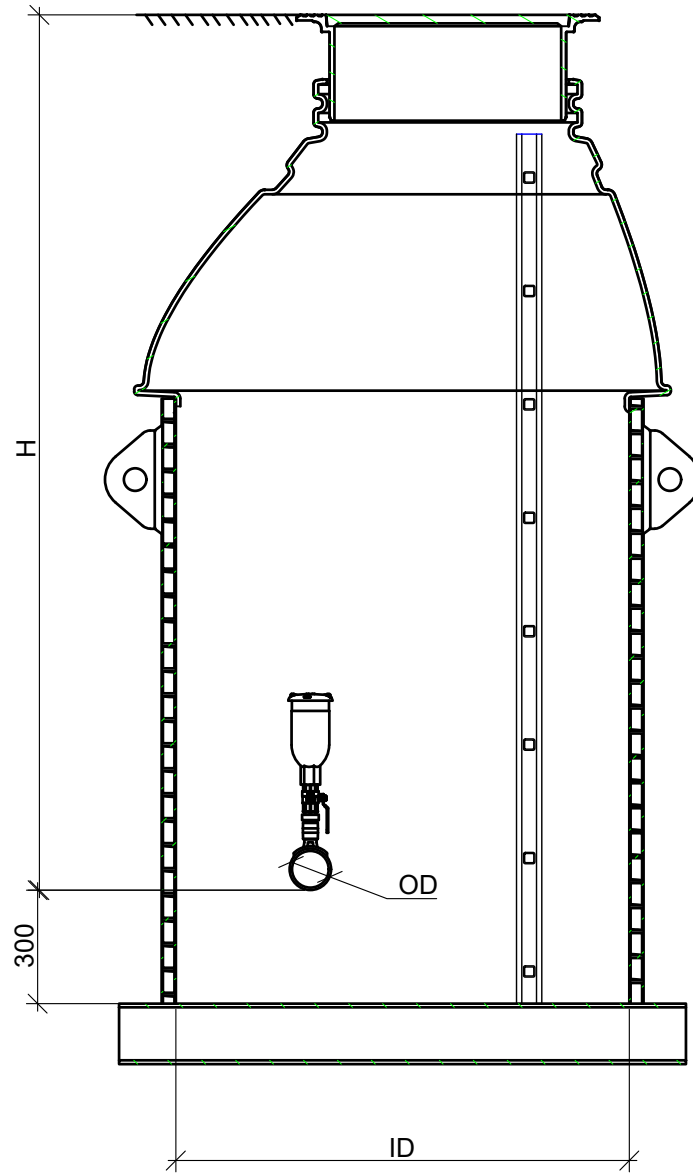
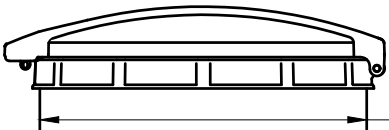

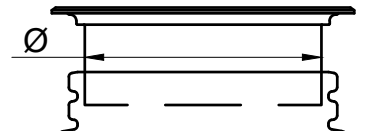
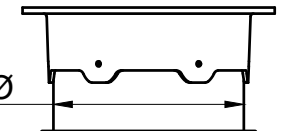


Uponor Flowise Air release chamber, on-line



Air release chamber 1000+			
Pos.	Description	Model/Size	Qty.
1	Chamber body PE100	Acc. selection	1
2	Chamber top	Acc. selection	1
3	Ladder	Acc. selection	0-1
4	Lifting yoke		2-4
5	Pressure pipe	Acc. selection	1
6	Air release valve	Acc. selection	1
7	Ball valve/Gate valve	Acc. selection	1-2
8	Bottom, self anchoring		1

Selections	
Feature	Selection
Chamber body diameter	<input type="checkbox"/> 1000 <input type="checkbox"/> 1200 <input type="checkbox"/> 1250 <input type="checkbox"/> 1400 <input type="checkbox"/> 1600 <input type="checkbox"/> 2000 <input type="checkbox"/> 2400 <input type="checkbox"/> 3000 <input type="checkbox"/> Other: _____
Top solution	<input type="checkbox"/> A <input type="checkbox"/> B <input type="checkbox"/> C <input type="checkbox"/> D
Ladder*	<input type="checkbox"/> YES <input type="checkbox"/> NO
Groundwater level above invert	<input type="checkbox"/> YES <input type="checkbox"/> NO _____ m
Handrail*	<input type="checkbox"/> YES <input type="checkbox"/> NO
Pressure pipe depth from ground level	H= _____ mm
Pressure pipe diameter	D= _____ mm
Air release valve type	<input type="checkbox"/> Wastewater <input type="checkbox"/> Potable water
Valve function	<input type="checkbox"/> 1 way <input type="checkbox"/> 2 way <input type="checkbox"/> 3 way
Valve size	<input type="checkbox"/> 1" <input type="checkbox"/> 2" <input type="checkbox"/> DN50 <input type="checkbox"/> DN80 <input type="checkbox"/> DN100
Pressure gauge*	<input type="checkbox"/> YES <input type="checkbox"/> NO
Spool valve + connection	<input type="checkbox"/> YES <input type="checkbox"/> NO

<input type="checkbox"/> Ø 860/800 <input type="checkbox"/> Safety gridd	A	<input type="checkbox"/> 600X600 aluminium <input type="checkbox"/> 800X800 aluminium	B
			
<input type="checkbox"/> Ø600 cast iron 40tn <input type="checkbox"/> Ø630 cast iron 40tn <input type="checkbox"/> Without cast iron cover	D	<input type="checkbox"/> Ø630 cast iron 40tn 0,75m <input type="checkbox"/> Ø800 cast iron 40tn 0,75m	E
			

uponor

WWW.UPONOR.COM

CASE NUMBER	DRAWN BY	HANDLED BY
DATE	CONTACT PERSON	
09.08.2023	---	
CONTENT		
Air release chamber on-line		
SCALE	NUMBER	
1:20 (A3)	1140531-2	