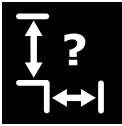
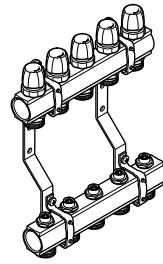


Uponor Vario B manifold LS



A

n	L ₁ [mm]	L ₂ [mm]	n	L ₁ [mm]	L ₂ [mm]
2	167	111	8	467	402
3	217	152	9	517	452
4	267	202	10	567	502
5	317	252	11	617	552
6	367	302	12	667	602
7	417	352			

B

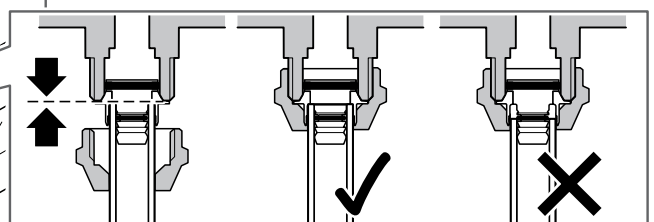
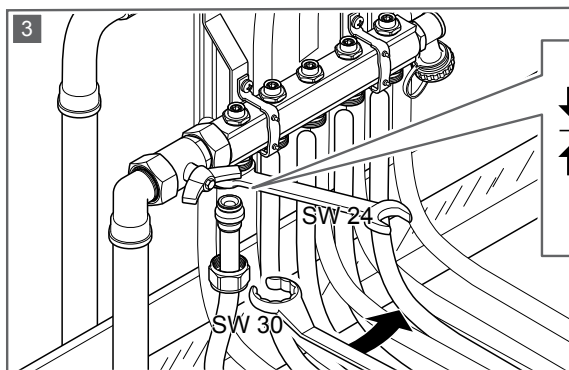
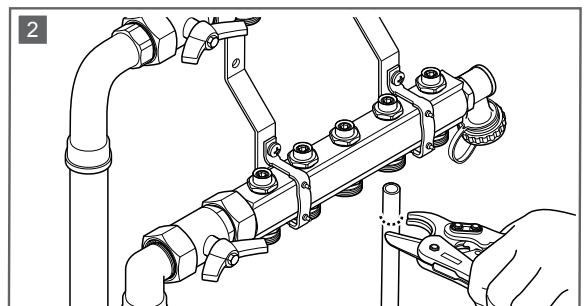
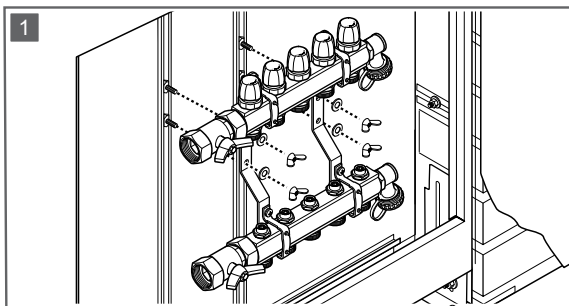
$\vartheta_{\text{sec}} = 15 - 60^{\circ}\text{C}$

$P_{\text{max}} = 6 \text{ bar}$

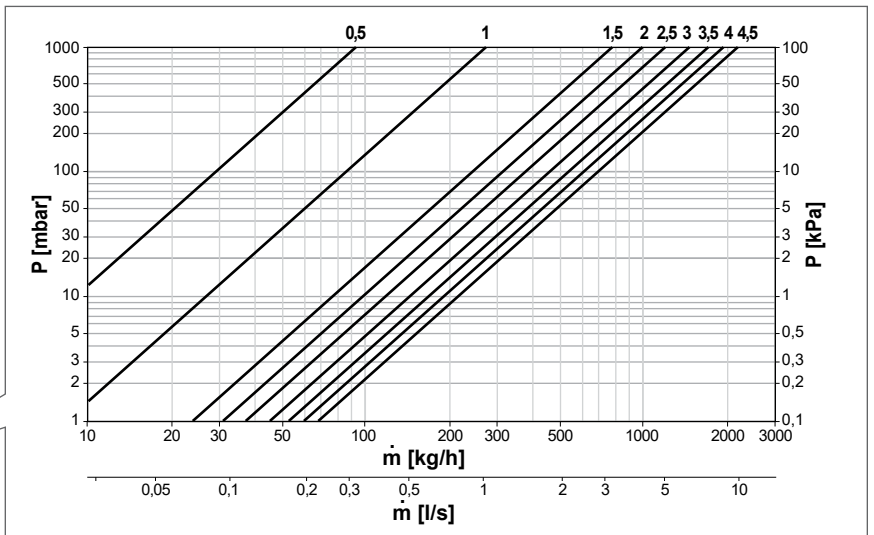
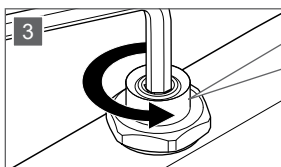
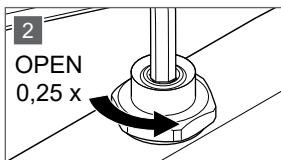
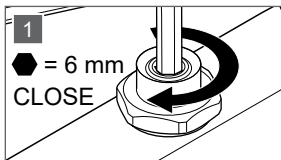
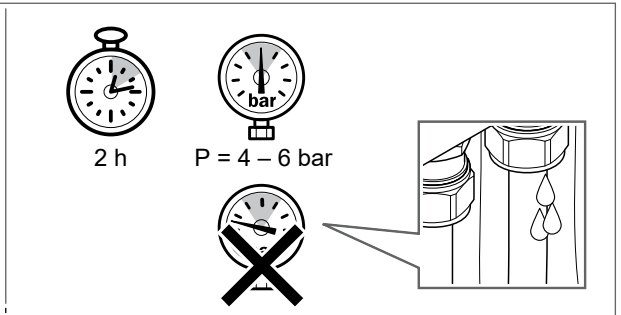
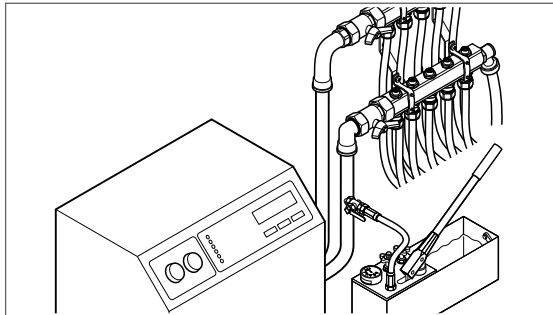
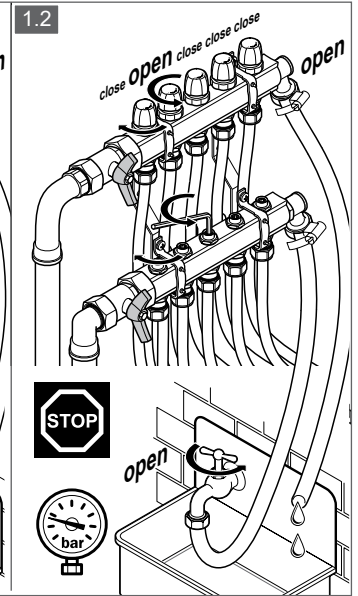
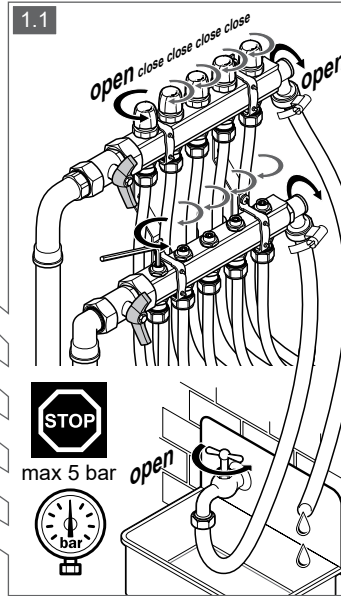
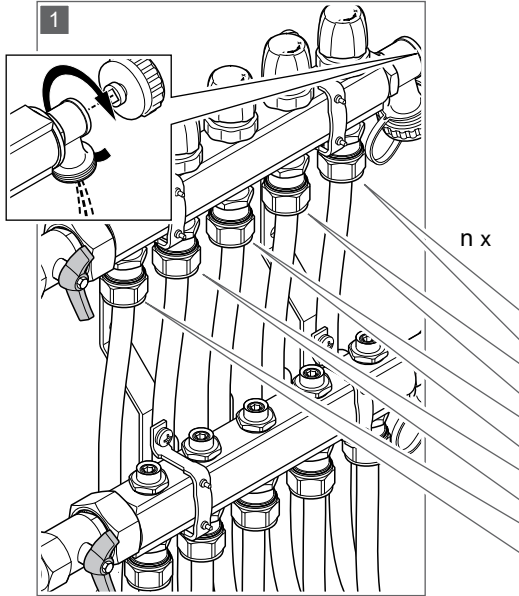
$P_{\text{test}} = 10 \text{ bar}$

$kvs = 2,2 \text{ m}^3/\text{h}$

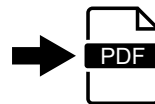
$\dot{V}_{\text{max}} = 4,0 \text{ m}^3/\text{h}$
(12 loops)



max. 25-30 Nm



Uponor Vario B



www.uponor.com/services/download-centre

Uponor GmbH

Industriestraße 56,
D-97437 Hassfurt, Germany

1136368 v1_06_2022
Production: Uponor / SDE_FME

Uponor reserves the right to make changes, without prior notification, to the specification of incorporated components in line with its policy of continuous improvement and development.



www.uponor.com