

4

3

2

1

F

F

E

E

D

D

C

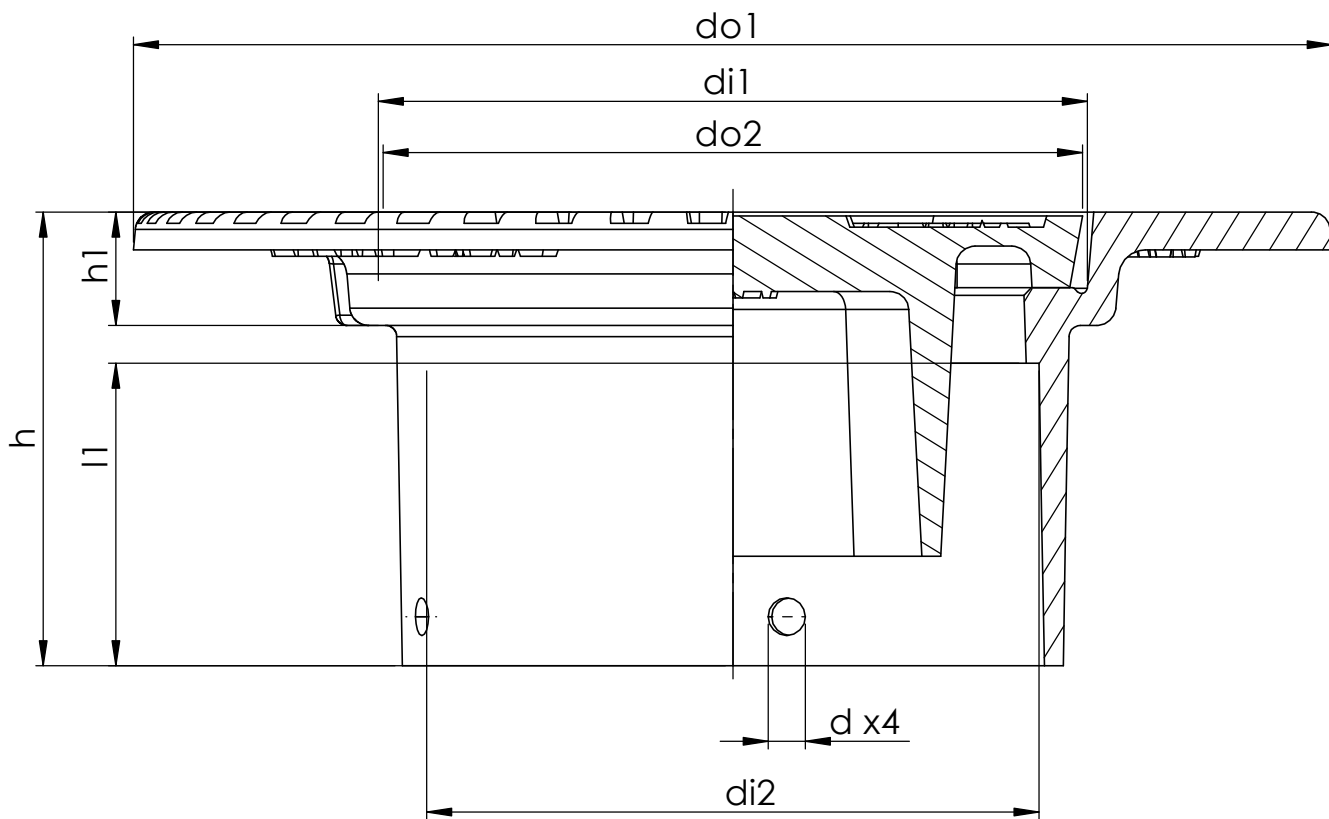
C

B

B

A

A



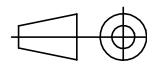
Item	Size	d	di1	di2	do1	do2	l1	h	h1
1059009	63	10	187	162	317	185	80	120	30



Description
 INFRA
 Mounting dimensions
 Chamber components

Drawing number
 Z_Chamber_cover_63_basic

Sheet: 1/1



4

3

2

1