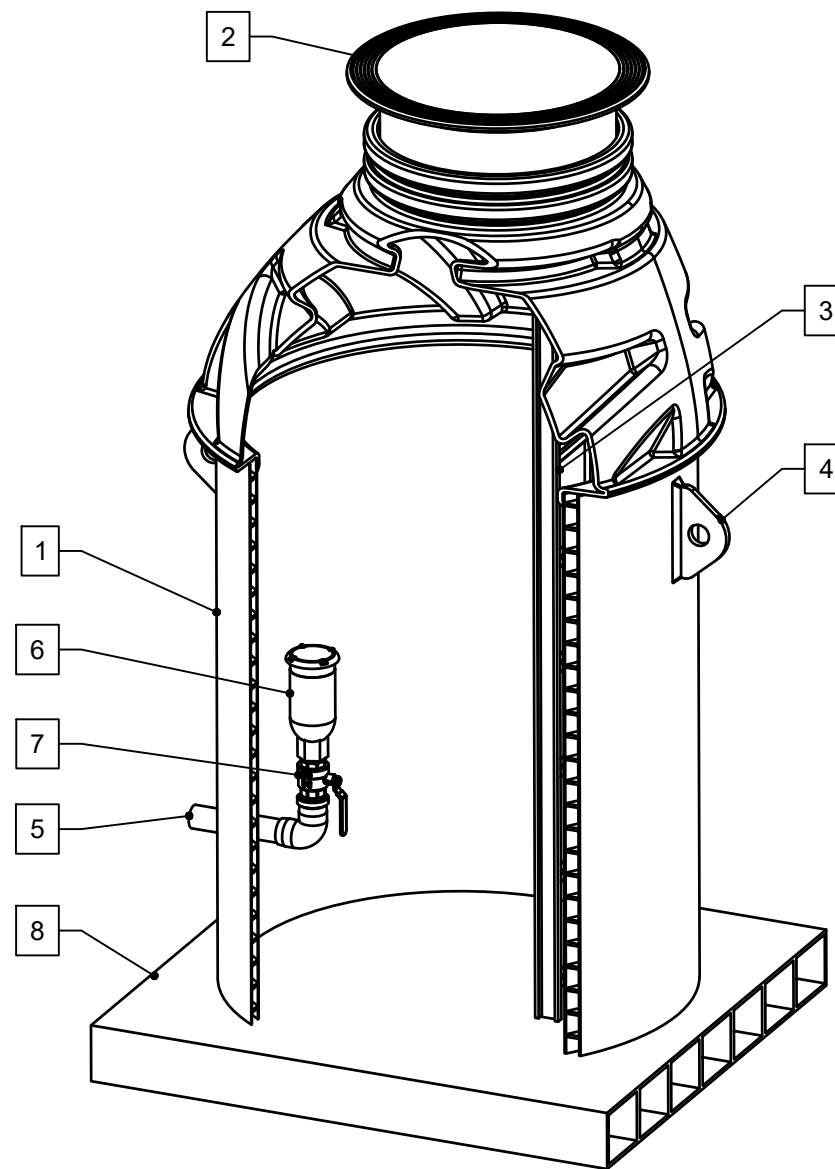
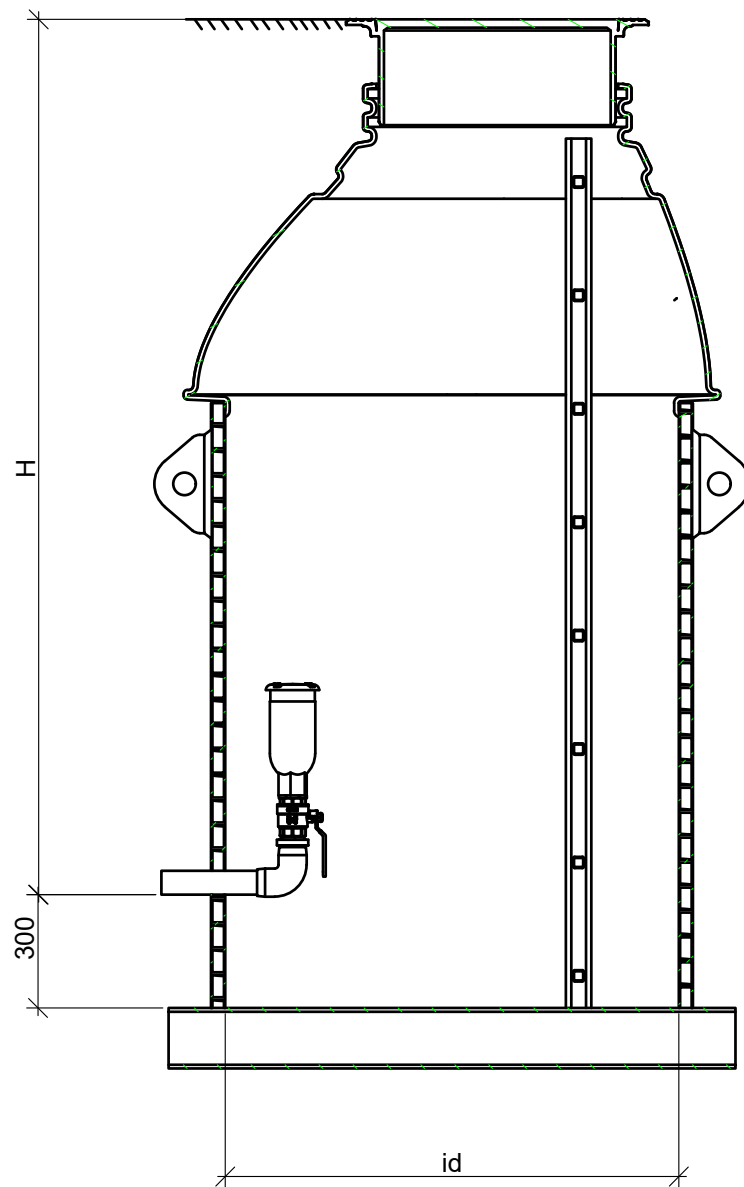


## Uponor Flowise Air release chamber, off-line



Air release chamber			
Pos.	Description	Model/Size	Qty.
1	Chamber body PE100	Acc. selection	1
2	Chamber top	Acc. selection	1
3	Ladder	Acc. selection	0-1
4	Lifting yoke		2-4
5	Pressure pipe	Acc. selection	1
6	Air release valve	Acc. selection	1
7	Ball valve/Gate valve	Acc. selection	1-2
8	Bottom, self anchoring		1

Selections	
Feature	Selection
Chamber body diameter id	<input type="checkbox"/> 1000 <input type="checkbox"/> 1200 <input type="checkbox"/> 1250 <input type="checkbox"/> 1400 <input type="checkbox"/> 1600 <input type="checkbox"/> 2000 <input type="checkbox"/> 2400 <input type="checkbox"/> 3000 <input type="checkbox"/> Other: _____
Top solution	<input type="checkbox"/> A <input type="checkbox"/> B <input type="checkbox"/> D <input type="checkbox"/> E
Ladder*	<input type="checkbox"/> YES <input type="checkbox"/> NO
Groundwater level above invert	<input type="checkbox"/> YES <input type="checkbox"/> NO _____ m
Handrail*	<input type="checkbox"/> YES <input type="checkbox"/> NO
Pressure pipe invert from ground level	H= _____ mm
Pressure pipe diameter	D= _____ mm
Air release valve type	<input type="checkbox"/> Wastewater <input type="checkbox"/> Potable water
Valve function	<input type="checkbox"/> 1 way <input type="checkbox"/> 2 way <input type="checkbox"/> 3 way
Valve size	<input type="checkbox"/> 1" <input type="checkbox"/> 2" <input type="checkbox"/> DN50 <input type="checkbox"/> DN80 <input type="checkbox"/> DN100
Pressure gauge*	<input type="checkbox"/> YES <input type="checkbox"/> NO
Spool valve + connection*	<input type="checkbox"/> YES <input type="checkbox"/> NO

<input type="checkbox"/> Ø 860/800 <input type="checkbox"/> Safety grit	<b>A</b>	<input type="checkbox"/> 600X600 aluminium <input type="checkbox"/> 800X800 aluminium	<b>B</b>
<input type="checkbox"/> Ø600 cast iron 40tn <input type="checkbox"/> Ø630 cast iron 40tn <input type="checkbox"/> Without cast iron cover	<b>D</b>	<input type="checkbox"/> Ø630 cast iron 40tn 0,75m <input type="checkbox"/> Ø800 cast iron 40tn 0,75m	<b>E</b>

	CASE NUMBER	DRAWN BY	HANDLED BY
	DATE	CONTACT PERSON	
WWW.UPONOR.COM	CONTENT		
	Air release chamber, off-line		
SCALE	NUMBER		
1:20 (A3)	1140531-1		