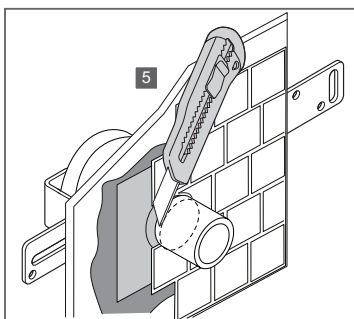
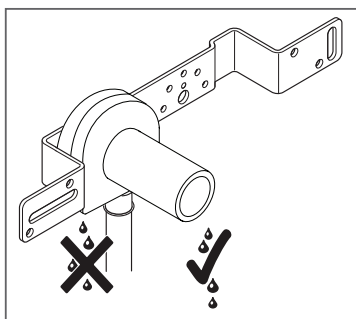
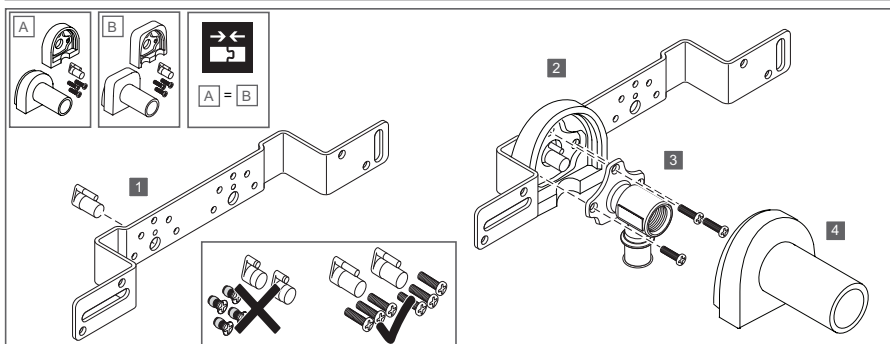
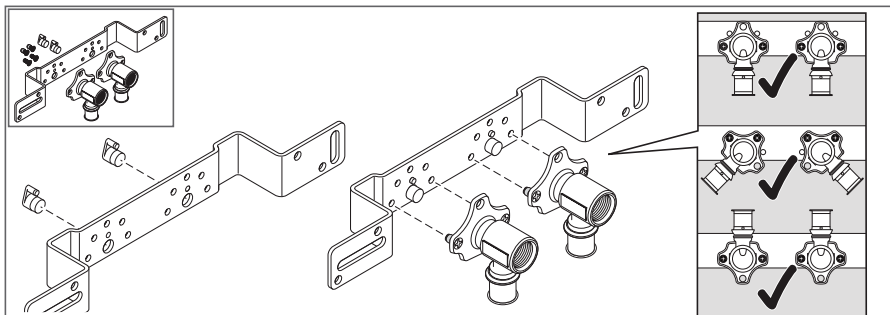


# Uponor S-Press PLUS mounting rail

# Uponor



Uponor GmbH

1132728 11\_2021 INT  
Production: Uponor/DCO

Uponor reserves the right to make changes, without prior notification, to the specification of incorporated components in line with its policy of continuous improvement and development.



[www.uponor.com](http://www.uponor.com)