

4

3

2

1

F

F

E

E

D

D

C

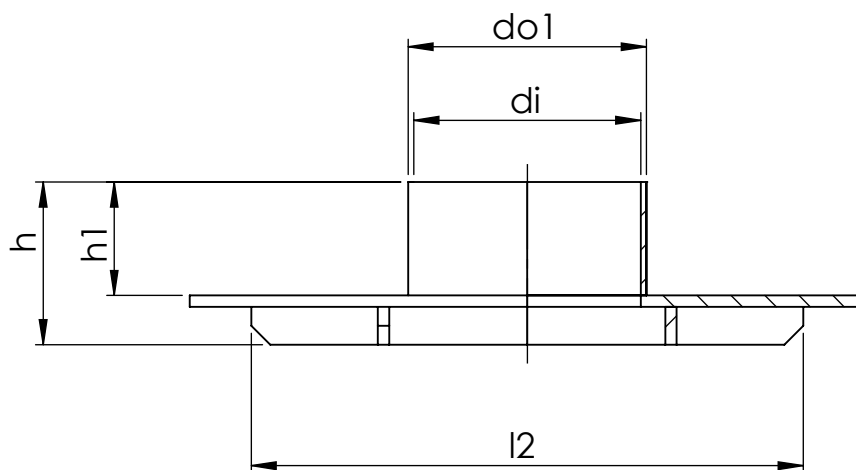
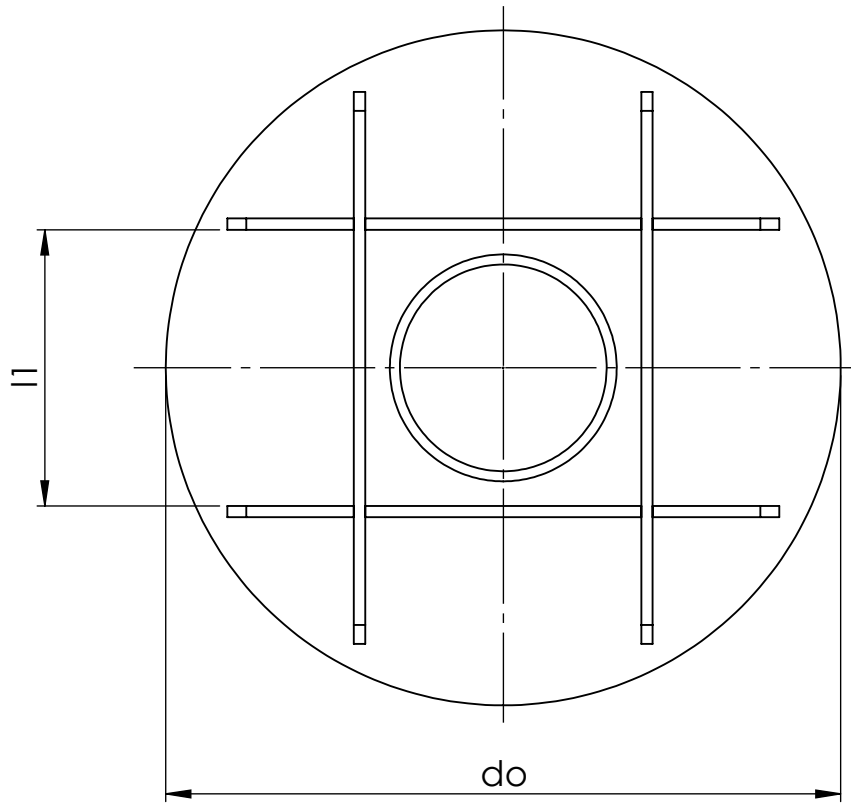
C

B

B

A

A



Item	Size	di	do	do1	l1	l2	h	h1
1135585	1600	581	1785	630	730	1600	430	300
1135587	1600	655	1785	710	730	1600	430	300
1135589	2000	581	2275	630	1000	2000	430	300
1135591	2000	655	2275	710	1000	2000	430	300

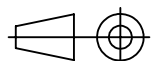
**Uponor**

**Description**

INFRA  
Mounting dimensions  
Valve Chamber Centric Top Solution Non Traffic Area  
Cold fittings

**Drawing number**

Z\_valve\_chamber\_1600\_630\_centric\_top\_solution\_non\_traffic\_area



Sheet: 1/1

4

3

2

1