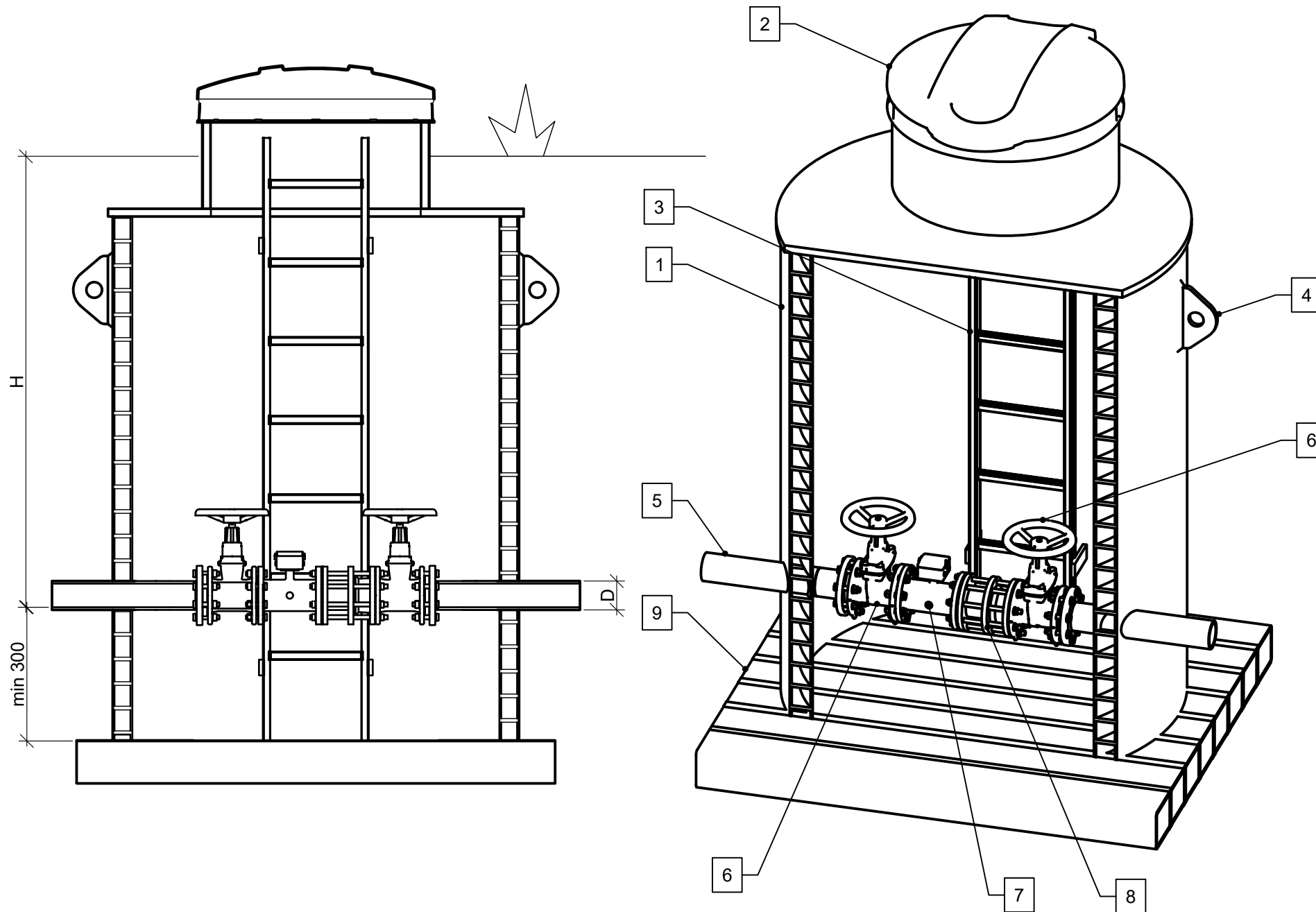


# Uponor Flowise Measuring Chamber



Measuring chamber			
Pos.	Description	Model/Size	Qty.
1	Chamber body PE100	<input type="checkbox"/> 1000 <input type="checkbox"/> 1200 <input type="checkbox"/> 1250 <input type="checkbox"/> 1400 <input type="checkbox"/> 1600 <input type="checkbox"/> 2000 <input type="checkbox"/> 2400 <input type="checkbox"/> 3000 <input type="checkbox"/> Other: _____	1
2	Chamber top	<input type="checkbox"/> A <input type="checkbox"/> B <input type="checkbox"/> D <input type="checkbox"/> E	1
3	Ladder	<input type="checkbox"/> YES <input type="checkbox"/> NO	0-1
4	Lifting yoke		2-4
5	Pressure pipe	D= _____ mm	1
6	Gate Valve	Acc. selection	2
7	Flow meter	<input type="checkbox"/> Wastewater <input type="checkbox"/> Potable water DN _____	1
8	Dismantling joint	<input type="checkbox"/> YES <input type="checkbox"/> NO	1
9	Bottom, self anchoring		1
	Handrail*	<input type="checkbox"/> YES <input type="checkbox"/> NO	
Installation			
Groundwater level above invert		<input type="checkbox"/> NO <input type="checkbox"/> YES _____ m	
Pressure pipe invert from ground level		H= _____ mm	

<input type="checkbox"/> Ø 860/800 <input type="checkbox"/> Safety gridd	<b>A</b>	<input type="checkbox"/> 600X600 aluminium <input type="checkbox"/> 800X800 aluminium	<b>B</b>
<input type="checkbox"/> Ø600 cast iron 40tn <input type="checkbox"/> Ø630 cast iron 40tn <input type="checkbox"/> Without cast iron cover	<b>D</b>	<input type="checkbox"/> Ø630 cast iron 40tn 0,75m <input type="checkbox"/> Ø800 cast iron 40tn 0,75m	<b>E</b>

uponor

WWW.UPONOR.COM

CASE NUMBER	DRAWN BY	HANDLED BY
---	---	---
DATE	CONTACT PERSON	
09.08.2023	---	
CONTENT		
Measuring chamber		
SCALE	NUMBER	
1:20 (A3)	1140532-1	