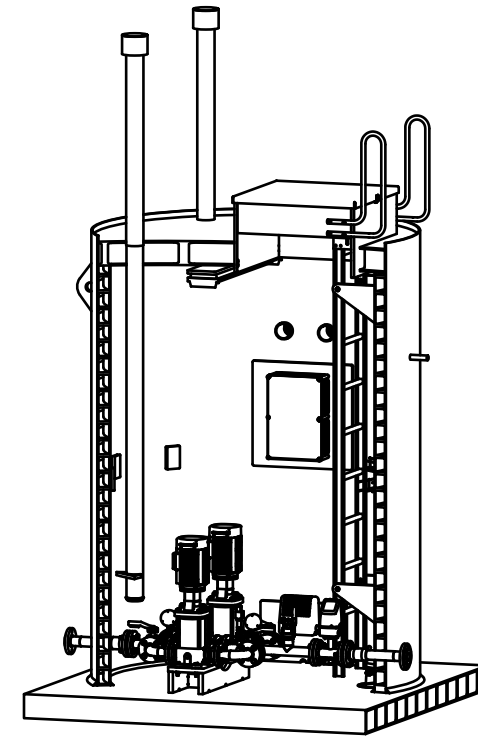
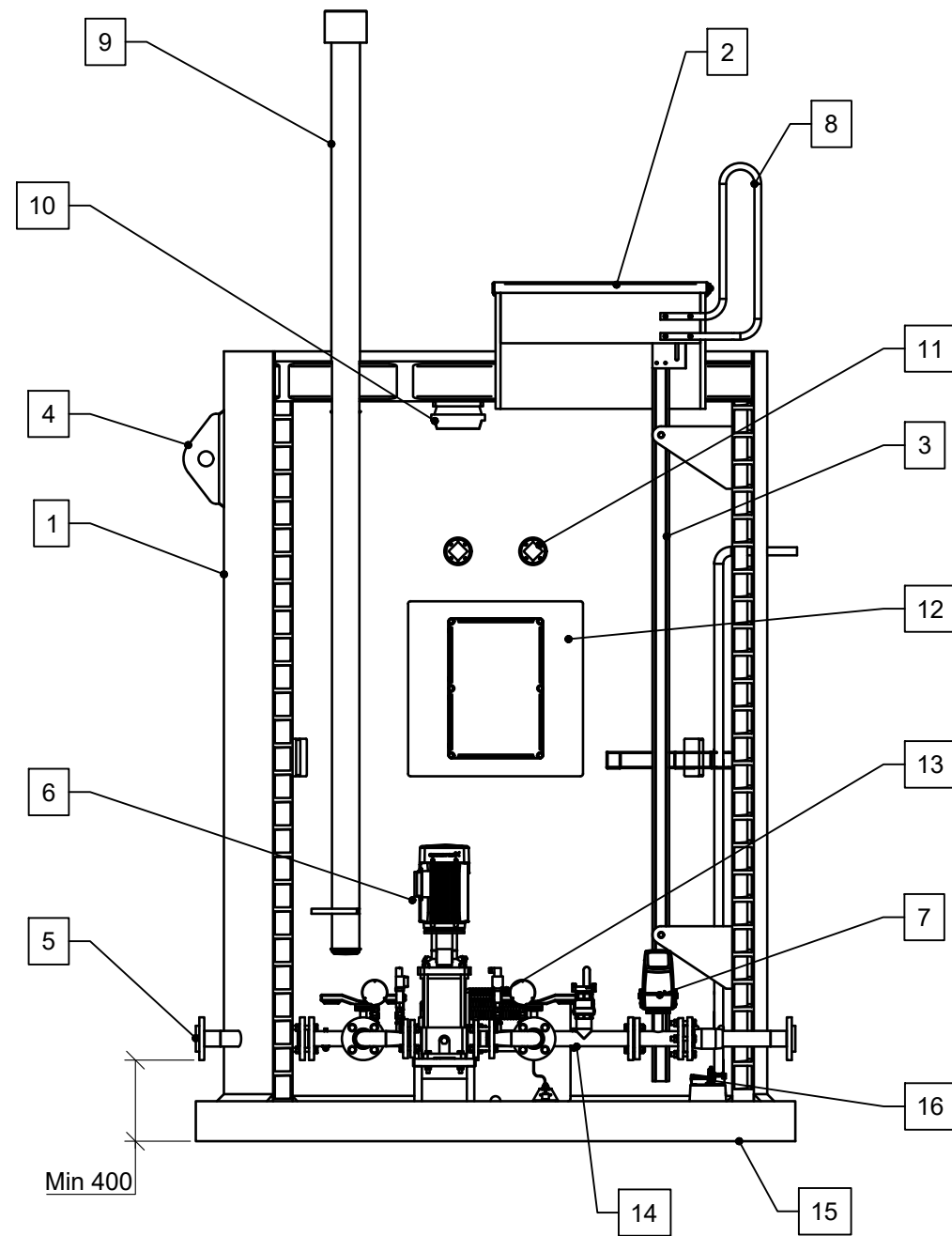


# Uponor Flowise Pressure boosting station



Flowscheme and Instrumentation according to separate plan.

Connection types and equipment according to separate plan.

Pressure boosting station			
Pos.	Description	Model/Size	Qty.
1	Chamber body PE100	( ) 1200 ( ) 1250 ( ) 1400 ( ) 1600 ( ) 2000 ( ) 2400 ( ) 3000 ( ) 3400 ( ) Other: _____	1
2	Chamber top	( ) A ( ) B ( ) D ( ) E	
3	Ladder	( ) YES ( ) NO	0-1
4	Lifting yoke	( ) YES ( ) NO	2-4
5	Pressure pipe	DN: _____ / DN: _____	1
6	Pump	Type: _____ Q= _____ l/s @ _____ kPa _____ kW, _____ A	
7	Flow meter	( ) YES ( ) NO DN: _____	
8	Handrail	( ) YES ( ) NO	
9	Ventilation pipe DN100	( ) YES ( ) NO	'1-2
10	Light LED	( ) YES ( ) NO	
11	Cable passing	( ) DN100 ( ) _____	___
12	Electrical cabin installation plate	( ) YES ( ) NO	
13	Heater	( ) YES ( ) NO	
14	Internal piping	DE= _____	1
15	Bottom, self anchoring		1
16	Floor pump KP150	( ) YES ( ) NO	
	Groundwater level below ground	( ) YES ( ) NO _____ m	
	Pressure pipe depth from ground level	H= _____ mm	

<input type="checkbox"/> Ø 860/800 <input type="checkbox"/> Safety gridd	<b>A</b>	<input type="checkbox"/> 600X600 aluminium <input type="checkbox"/> 800X800 aluminium	<b>B</b>
<input type="checkbox"/> Ø600 cast iron 40tn <input type="checkbox"/> Ø630 cast iron 40tn <input type="checkbox"/> Without cast iron cover	<b>D</b>	<input type="checkbox"/> Ø630 cast iron 40tn 0,75m <input type="checkbox"/> Ø800 cast iron 40tn 0,75m	<b>E</b>

uponor

WWW.UPONOR.COM

CASE NUMBER	DRAWN BY	HANDLED BY
---	---	---
DATE	CONTACT PERSON	
09.08.2023	---	
CONTENT		
Pressure Boosting station		
SCALE	NUMBER	
1:50 (A3)	1140528-1	