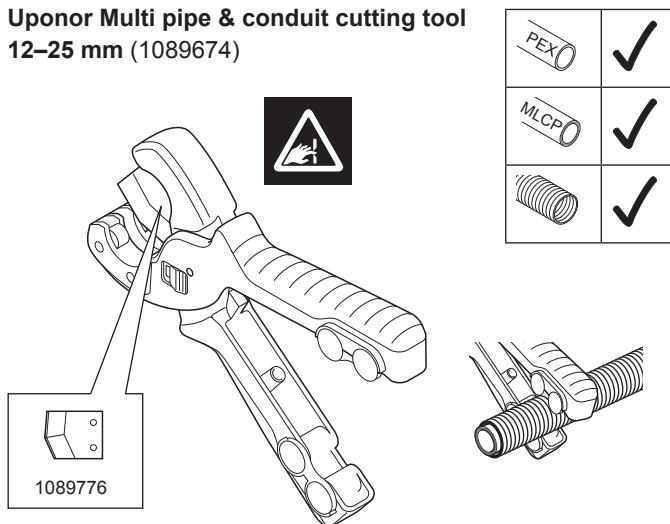
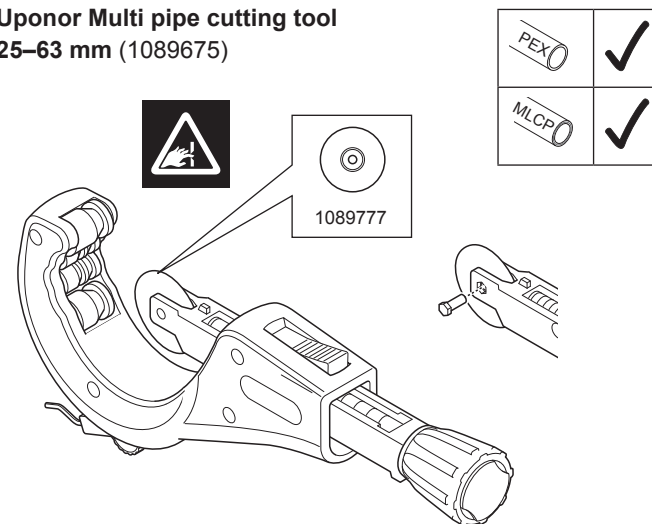


## Uponor Multi & Flex pipe cutting tools

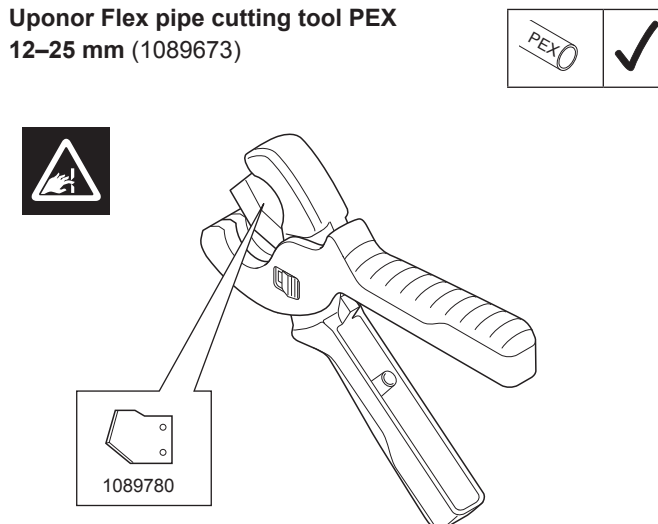
Uponor Multi pipe & conduit cutting tool  
12–25 mm (1089674)



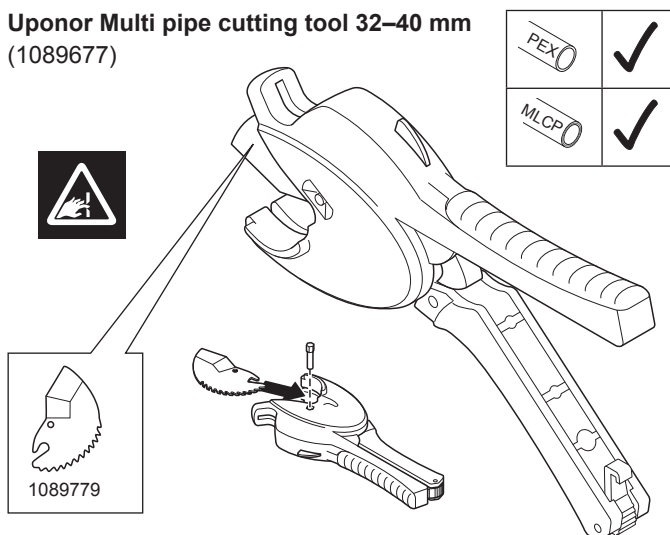
Uponor Multi pipe cutting tool  
25–63 mm (1089675)



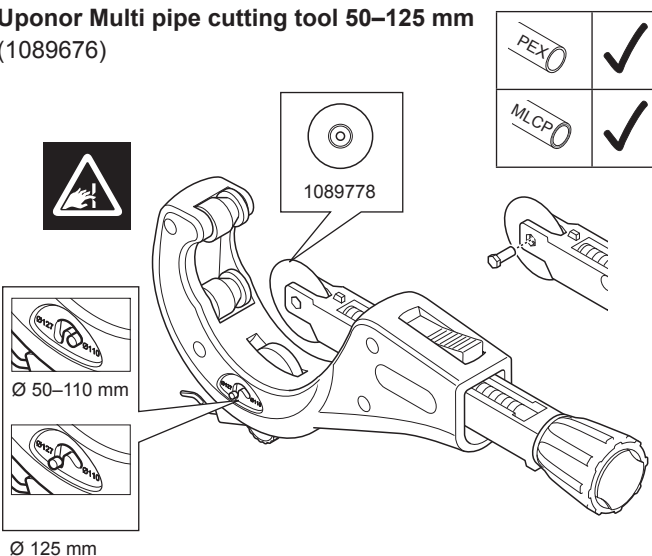
Uponor Flex pipe cutting tool PEX  
12–25 mm (1089673)



Uponor Multi pipe cutting tool 32–40 mm  
(1089677)



Uponor Multi pipe cutting tool 50–125 mm  
(1089676)



Uponor Flex pipe cutting tool PEX  
50–63 mm (1095265)

