

4

3

2

1

F

F

E

E

D

D

C

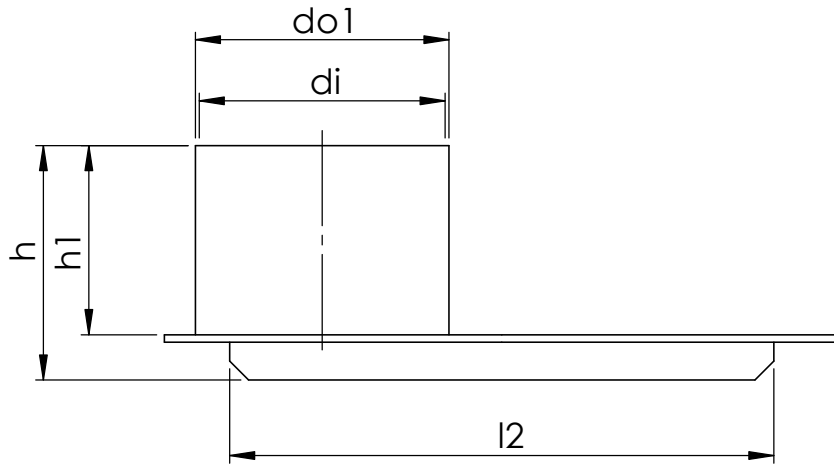
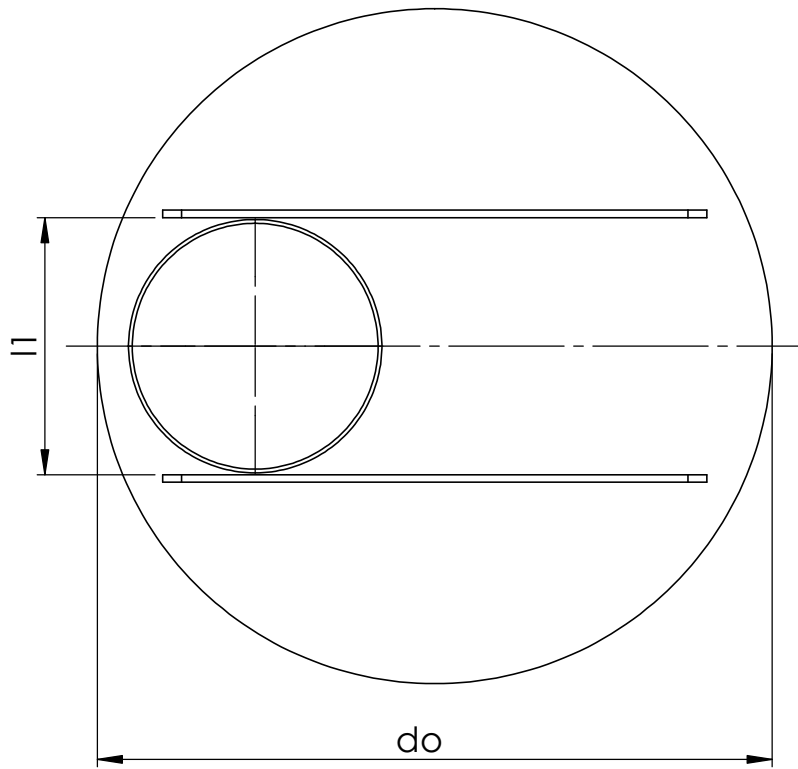
C

B

B

A

A



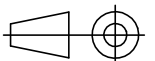
Item	Size	di	do	do1	l1	l2	h	h1
1093759	1600	650	1785	670	680	1440	620	500



Description
 INFRA
 Mounting dimensions
 Valve chamber top solution green area
 Other

Drawing number
 Z_Valve_chamber_top_solution_green_area

Sheet: 1/1



4

3

2

1