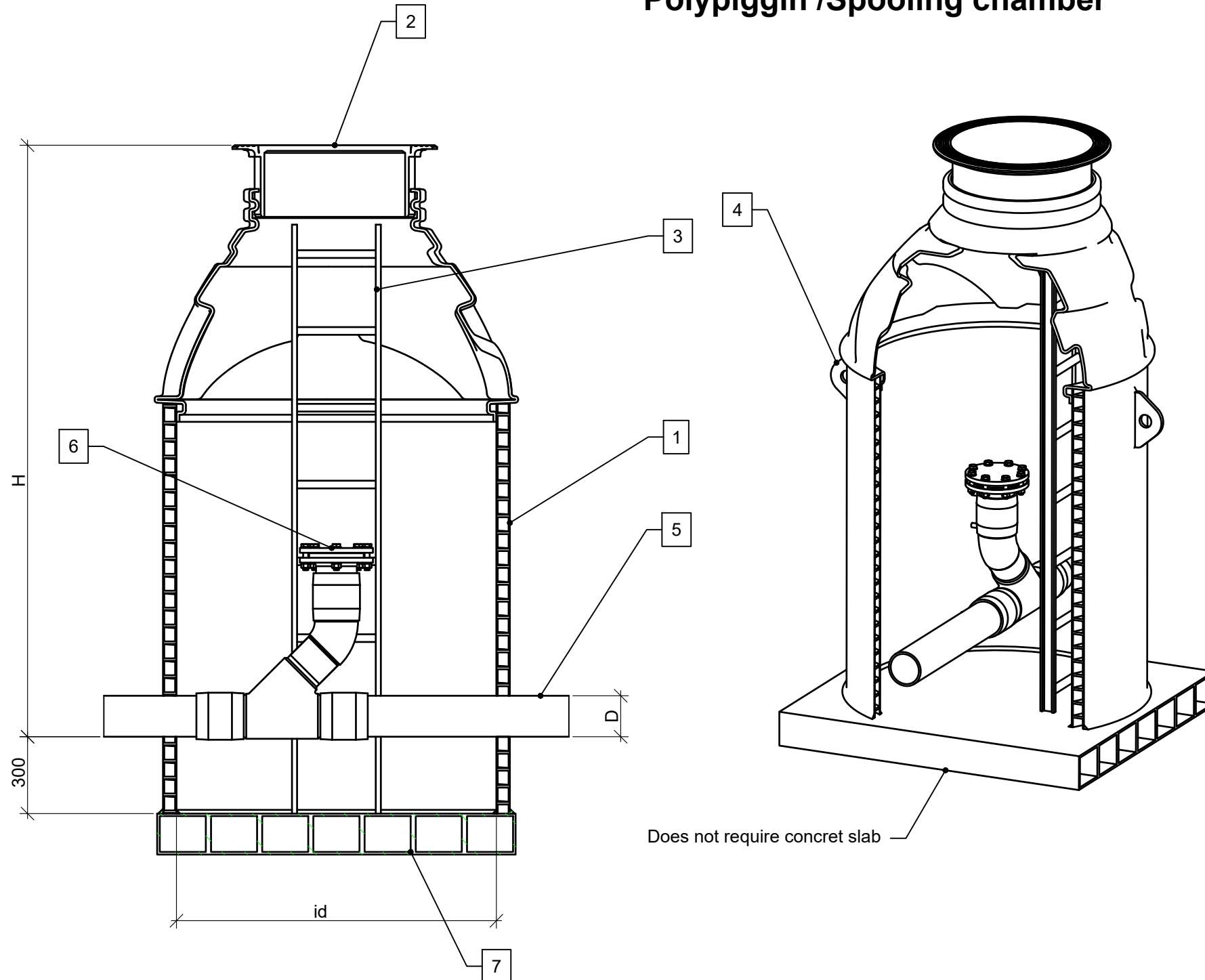
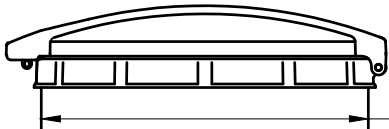

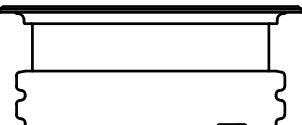
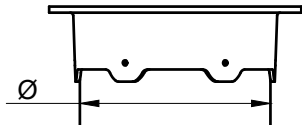


Uponor Flowise Polypiggin /Spooling chamber



Polypigging / Spooling chamber			
Pos.	Description	Model/Size	Qty.
1	Chamber body PE100	Acc. selection	1
2	Chamber top	Acc. selection	1
3	Ladder	Acc. selection	0-1
4	Lifting yoke		2-4
5	Pressure pipe	Acc. selection	1
6	Blind flange	Acc. selection	1
7	Bottom, self anchoring		1

Selections	
Feature	Selection
Chamber body diameter	<input type="checkbox"/> 1000 <input type="checkbox"/> 1200 <input type="checkbox"/> 1250 <input type="checkbox"/> 1400 <input type="checkbox"/> 1600 <input type="checkbox"/> 2000 <input type="checkbox"/> 2400 <input type="checkbox"/> 3000 <input type="checkbox"/> Other: _____
Top solution	<input type="checkbox"/> A <input type="checkbox"/> B <input type="checkbox"/> C <input type="checkbox"/> D
Ladder*	<input type="checkbox"/> YES <input type="checkbox"/> NO
Groundwater level above invert	<input type="checkbox"/> YES <input type="checkbox"/> NO _____ m
Handrail*	<input type="checkbox"/> YES <input type="checkbox"/> NO
Pressure pipe invert from ground level	H= _____ mm
Pressure pipe diameter	D= _____ mm
Pressure gauge*	<input type="checkbox"/> YES <input type="checkbox"/> NO
Other:	

<input type="checkbox"/> Ø 860/800 <input type="checkbox"/> Safety grit 	A	<input type="checkbox"/> 600X600 aluminium <input type="checkbox"/> 800X800 aluminium 	B
<input type="checkbox"/> Ø630 cast iron 40tn <input type="checkbox"/> 	C	<input type="checkbox"/> Ø630 cast iron 40tn <input type="checkbox"/> Ø800 cast iron 40tn 	D



CASE NUMBER	DRAWN BY	HANDLED BY
DATE	CONTACT PERSON	
CONTENT		
Polypigging chamber in-line		
SCALE	NUMBER	
1:20 (A3)	1140534-2	