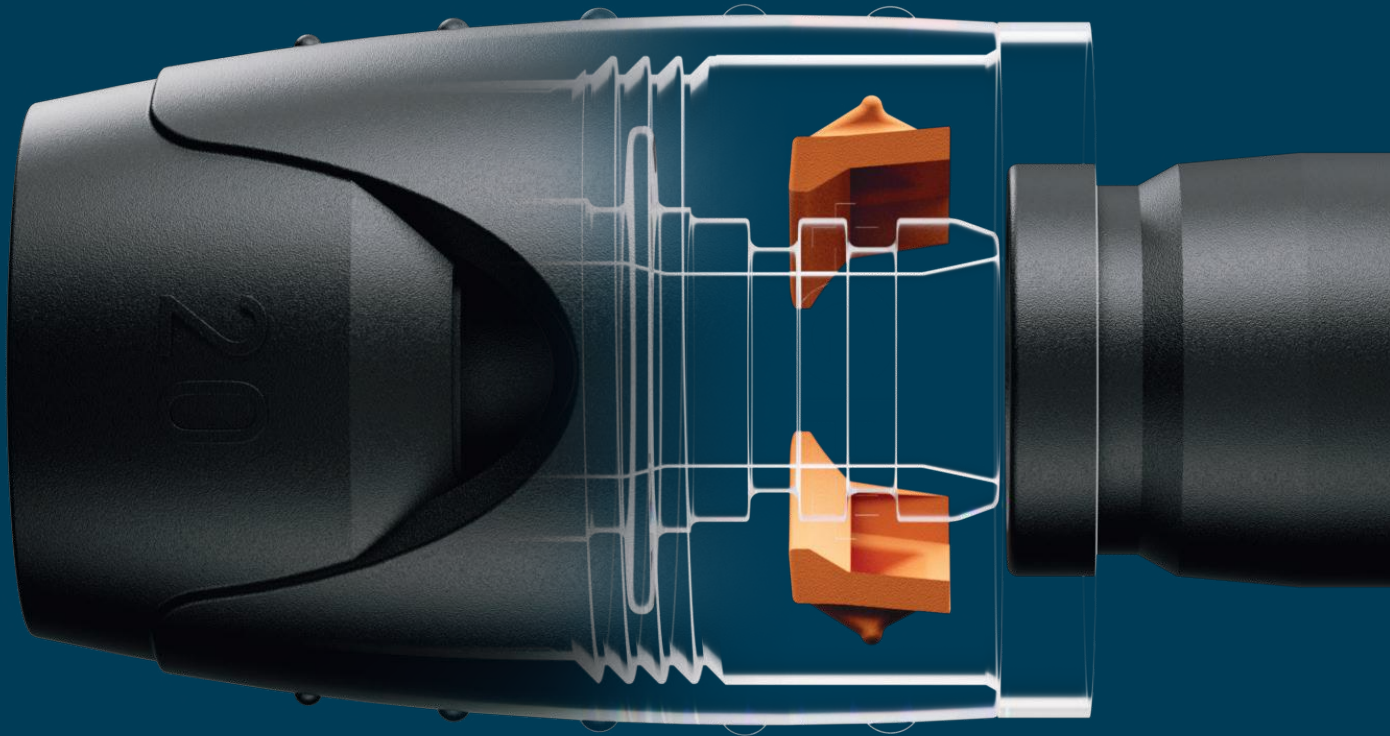


GF Piping Systems

+GF+

iFIT

Installations made simple



iFIT

Fast and safe installation

iFIT is the push-fit system from GF Piping Systems with the unique modular adapter technology for plumbing and heating. Thanks to its' modular system, iFIT provides more options using 50% fewer system components compared with conventional installation systems. This means low storage effort at maximum flexibility.

With the introduction of iFIT from GF Piping Systems, plumbing technology has taken another step forward. Never before has it been easier and safer to install polybutene and multi-

layer composite pipes in the dimensions d16 to d32. It is even possible to work across dimensions, i.e. each module can be connected to pipes of dimensions 16/20 or 25/32.

iFIT is suitable for all types of installation (such as single tap points, piece or looped installation) in new builds, conversions and renovations of small and large properties.

- + **Connection technology** Push-fit system
- + **Pipe types** Multilayer composite pipes PE-RT II / AI / PE-RT II
Polybutene pipes
- + **Dimensions** d16 – d32
- + **Applications** Potable water, heating, air-conditioning
- + **Pressure** PN10 at 10 bar / 50 years / 70°C
continuous operation



Key benefits



+ 50% fewer components

Cross-dimensional use
(one module for two dimensions)

+ Quick connection

Simple push-fit system, no expensive tools

+ Cross-material

Suitable for polybutene and multilayer
composite pipes

+ Twofold safety

Inspection window and clicking sound as test
mechanism as well as two O-rings

+ Economical

Cost-efficient thanks to fewer components and
lower storage costs

+ Ecological

Connection without external power supply,
reusable fittings as well as eco-friendly
packaging

Honored with the



Fewer components, more options

Conventional installation systems for plumbing and heating usually consist of 250 to 300 components. This sometimes makes it hard for the plumber to have the required part available. The iFIT push-fit system offers a solution. Thanks to its modular system, the plumber requires only half the components for the same number of applications.

One module, two dimensions

Two dimensions (e.g. adapter d16 and adapter d20) can be connected to each base body, referred to as a module. This means: A piece can be combined with suitable adapters d16 and d20 to form six different piece variants.

Cost effectiveness

The 20 key elements of a traditional installation system can be substituted by only eight in the iFIT system. This reduces the storage costs and significantly diminishes the components that the plumber has to carry to the installation area for the same procedures. In nearly every circumstance, the plumbers having the necessary components at hand can prevent the need for costly trips to shops or warehouses, thereby leading to significantly increased productivity.

50% fewer components compared with conventional push-fit systems

iFIT 16/20



Cost effectiveness

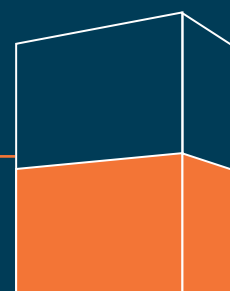
The 20 most important components of a conventional installation system can be replaced by just eight in the iFIT system. This cuts storage costs and reduces the amount of preparation.

Storage costs for conventional installation systems



less storage costs

Storage costs for iFIT installation system



Common fittings for market participants d16 & d20



T90° d16 T90° d20 T90° red 20/16/20 T90° red 20/16/16 T90° red 20/20/16 T90° red 16/20/16



Elbow 90° d16 Elbow 90° d20 Elbow 90° d20/d16

Twofold safety

Installation often has to be fast. This makes it all the more important for the connection to be safe. iFIT is one of the few push-fit systems on the market that has two safety mechanisms that can be used to check whether a successful connection has been made.

Quality assurance and product approval

iFIT meets the requirements for key applications in building technology and is subject to constant monitoring by a number of approval authorities for drinking water and heating systems both on land and at sea.



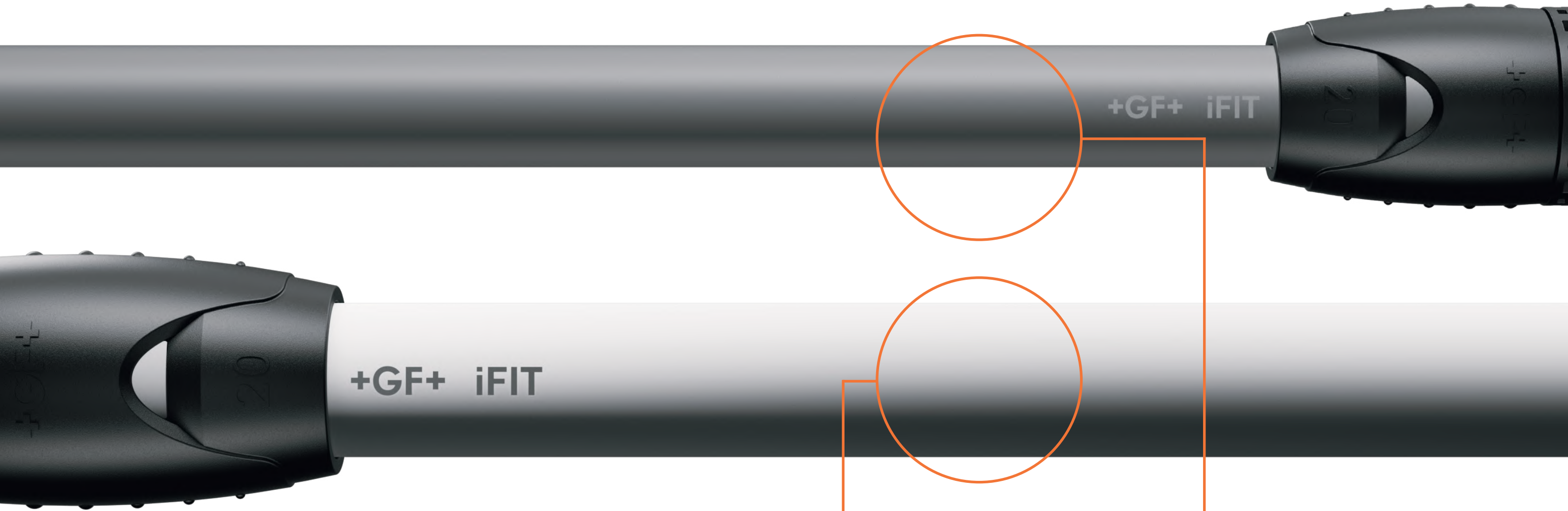
Audible click

A click sound can be heard when the adapter is plugged onto the module. So the plumber knows instantly whether the connection is safe.

+GF+ iFIT

Inspection window

The adapter has a window that can be used to check the connection a second time.



One fitting for two types of pipes

The iFIT push-fit system has two types of pipes that can be connected using the same modules without a problem. As a result, the system offers maximum flexibility. Both pipe types are flow-optimized and ensure high resistance to corrosion and scaling.

Rigid multilayer composite pipes

iFIT multilayer composite pipes consist of several layers. Inside there is a hygienic, medium-carrying layer made of heat-resistant polyethylene (PE-RT).

- 100% diffusion-tight
- rigid
- low linear expansion

Flexible polybutene pipes

The all-plastic pipes are made of homogeneous polybutene (PB), a material set apart not only by its flexibility but also by the hygienic properties of the base material.

- flexible
- small CO2 footprint
- reduced noise transmission

The system to overcome time pressure

iFIT's sophisticated push-fit connection allows installations to be completed in just a few simple steps - even without any complex instruction. This system is the solution for realizing construction projects faster and more cost-effectively.

Simple installation

The iFIT push-fit system ensures safe assembly processes with little tooling and no electrical power supply. Work steps needed for different connection technologies are eliminated completely. The push-fit system, then, saves a considerable amount of time. This makes the installation of drinking water and heating pipes much more efficient with iFIT.

Don't be cornered

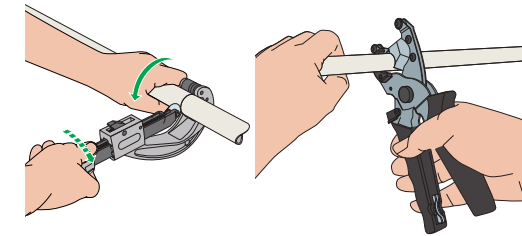
Thanks to the simple installation conditions without bulky tools, the iFIT push-fit system is also the ideal solution for installation in confined spaces.



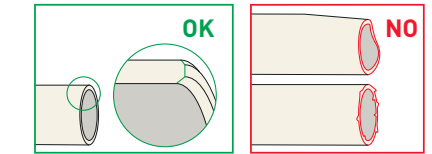
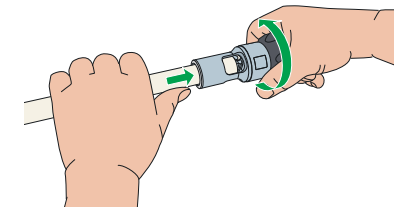
Installed faster than conventional connections

Five steps to a safe connection

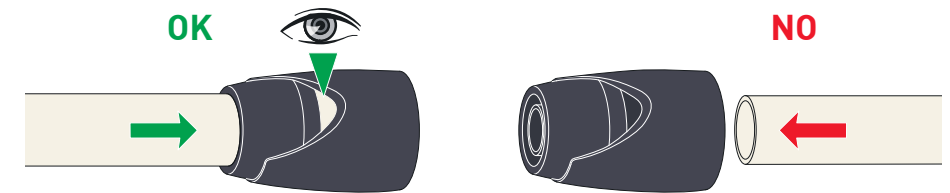
1



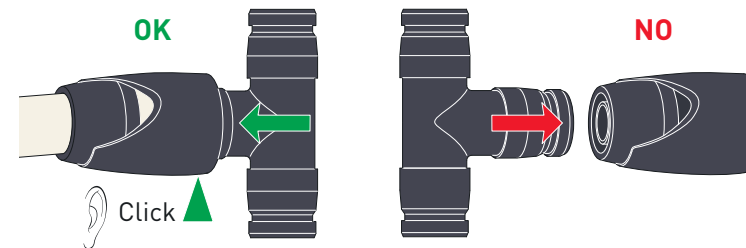
2



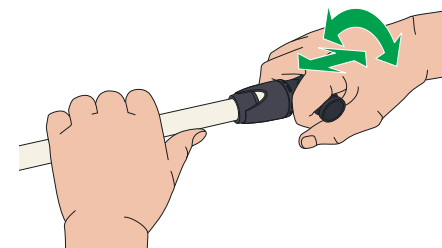
3



4



5



iFIT

Sustainability always in mind

Sustainable construction and the conscious handling of available resources is becoming increasingly important. iFIT can make an important contribution to an ecological construction project, from eco-friendly packaging to reusable fittings.

Installation without external power supply

All essential work can be done without an electrical power supply. The inexpensive hand tools of the iFIT push-fit system are used instead.

Reusable fittings

While most push-fit systems create inseparable connections, iFIT offers fittings for multiple use. These fittings can be dismantled without damage after installation and reused.

Eco-friendly packaging

iFIT fittings are packaged in films made of 50% recycled material (PCR). PCR products are made from recycled plastic from discarded materials. Since waste is converted into raw materials in this way, these fittings make for an environmentally friendly solution.

Eco certifications:

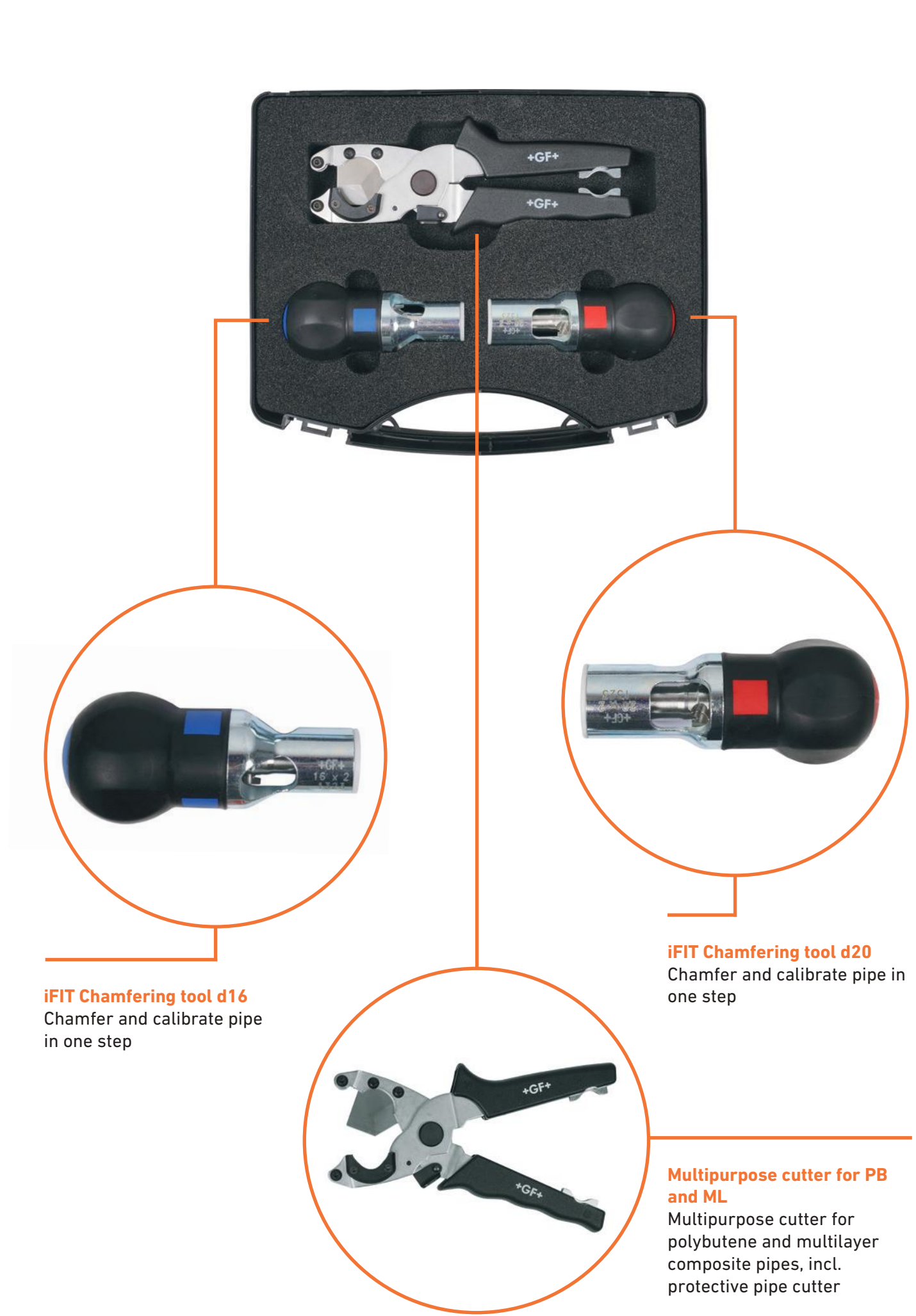




Range overview

+ One high-quality case with tools for each dimension range

- + Pipes
- + Adapters
- + Valves
- + Modules
- + Distributors



iFIT Chamfering tool d16
Chamfer and calibrate pipe in one step

iFIT Chamfering tool d20
Chamfer and calibrate pipe in one step

Multipurpose cutter for PB and ML
Multipurpose cutter for polybutene and multilayer composite pipes, incl. protective pipe cutter

The components and their materials



Multilayer composite pipe

iFIT multilayer composite pipes consist of several layers. Inside there is a hygienic, flawless medium-carrying layer made of heat-resistant polyethylene (PE-RT). The outer layer, which protects the pipe from mechanical stresses, is also made of PE-RT. Located between is a longitudinally butt-welded aluminum carrier pipe, which is permanently bonded to the other two layers by adhesion promoters - likewise PE-based.



Polybutene pipes

The all-plastic pipes from the iFIT range are made of homogeneous polybutene (PB) which, in addition to its flexibility, is set apart above all by the hygienically impeccable properties of the base material.



Fittings

All iFIT fittings that do not require a metal-sealing thread are made of the high-performance plastic polyphenylsulfone (PPSU). This material, known for its low susceptibility to stress cracking and excellent resistance to hot water, has proved itself for fittings in building technology and is characterized above all by excellent corrosion resistance and low degree of incrustation. All threaded fittings are manufactured from lead-free gun-metal and or low-lead brass.



Valves

Valves for the iFIT system with special connections and transitions are available in the JRG valves range.

Drinking water at Lofty Heights – Three Point Residential Towers

In Dübendorf, on the outskirts of the metropolis of Zurich, three residential towers are reaching for the skies. The tallest measures 115 meters and comprises 38 floors. Together with the other two towers, with 34 and 36 stories, these elegant skyscrapers accommodate around 450 apartments. All were sold before completion (scheduled for early 2024). For the fine distribution of drinking water in the comfortable apartments, the main contractor ADT INNOVA Construction AG went for the patented push-fit system iFIT.

Background to the project

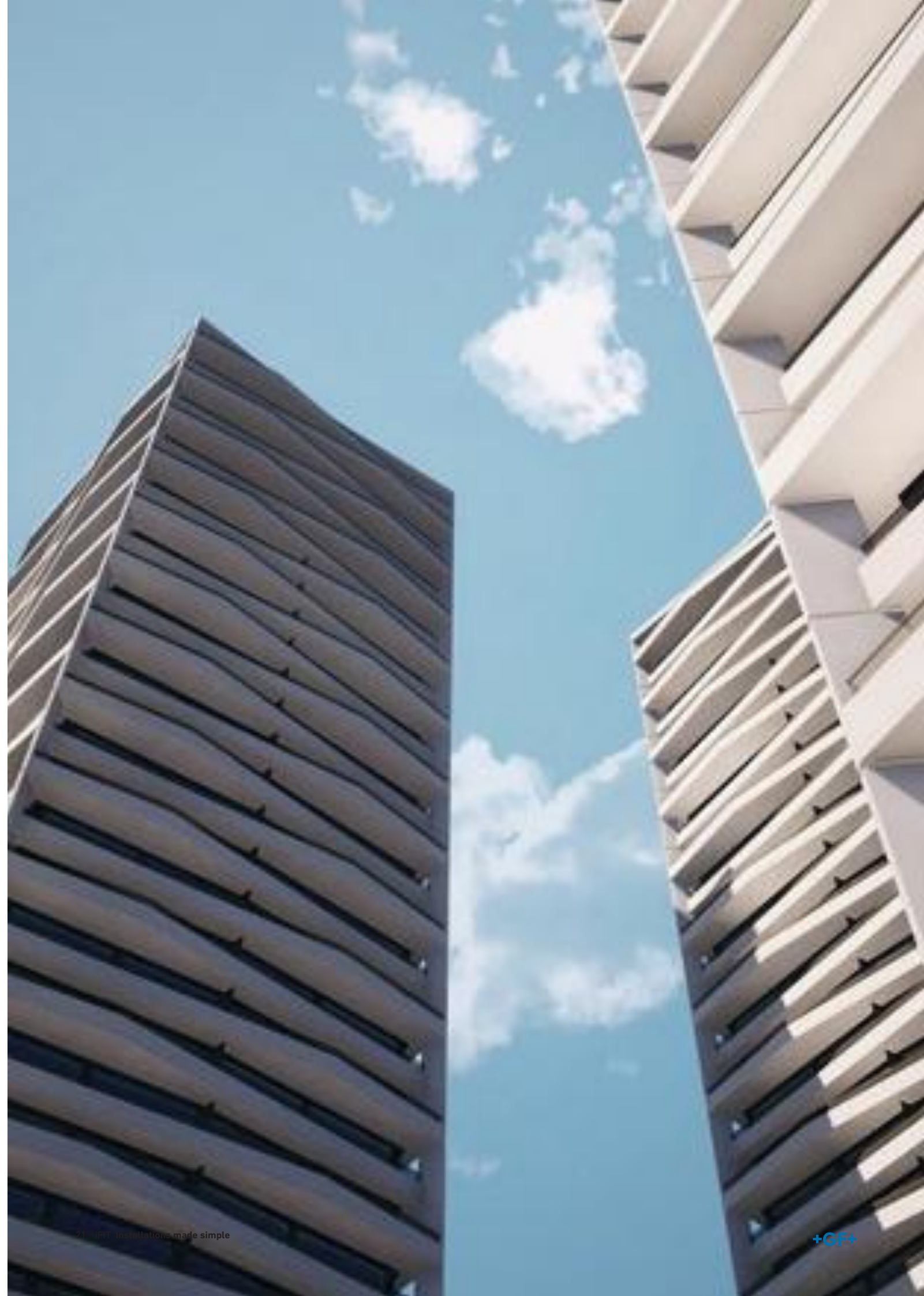
Construction projects are having to be realized at an ever-increasing speed and more cost-effectively than ever before – without compromising on quality, of course. Fulfilling the goals of speed and quality calls for smart products that help achieve fault-free installations within the shortest possible time.

Chosen technical solution

The patented system iFIT from GF Piping Systems with sheathed pipes made of flexible and durable polybutene was chosen to flush and finely distribute the drinking water to the consumption points in the apartments. Some 29 km of polybutene pipes, 6,900 modules and 15,000 adapters have been installed in the three residential towers.

Improvements achieved

A key factor in the choice of iFIT was the simplicity of system installation. Even employees without full training achieved a professional installation without any problems after a brief induction by the GF Piping Systems Building Technology Sales Department. Maik Ohff, installation manager of the building services engineering company E.O. Knecht AG, confirms: «iFIT is easy to handle. No electricity and only a few tools are needed for installation. The pipe is easy to move and replace. Besides, the program is clearly arranged and offers everything that's necessary.»



COOL-FIT 2.0 Push System

The COOL-FIT 2.0 Push System is an addition to the existing pre-insulated plastic piping system COOL-FIT 2.0 by extending the product range with smaller piping dimensions to reach the cooling unit.

+ One complete system

Complete pre-insulated piping solution for confident insulation, including pipes, fittings, valves, and tools.

+ Bridging big to small

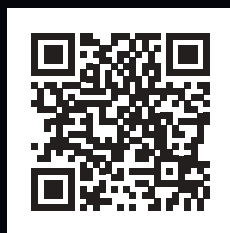
Additional dimensions extend the range to reach the cooling unit for greater system performance and assurance.

+ Plug and play

Mechanical connections mean significantly less tools, easy handling, and faster installations.

+ Safe operation

Maintenance-free operation for 25 years thanks to unique material properties and safe jointing technology.



Learn more about the
COOL-FIT 2.0 Push System
www.gfps.com/coolfit2

Local support around the world

Visit our webpage to get in touch with your local specialist:

www.gfps.com/our-locations



The information and technical data (altogether "Data") herein are not binding, unless explicitly confirmed in writing.
The Data neither constitutes any expressed, implied or warranted characteristics, nor guaranteed properties or a guaranteed durability. All Data is subject to modification. The General Terms and Conditions of Sale of Georg Fischer Piping Systems apply.