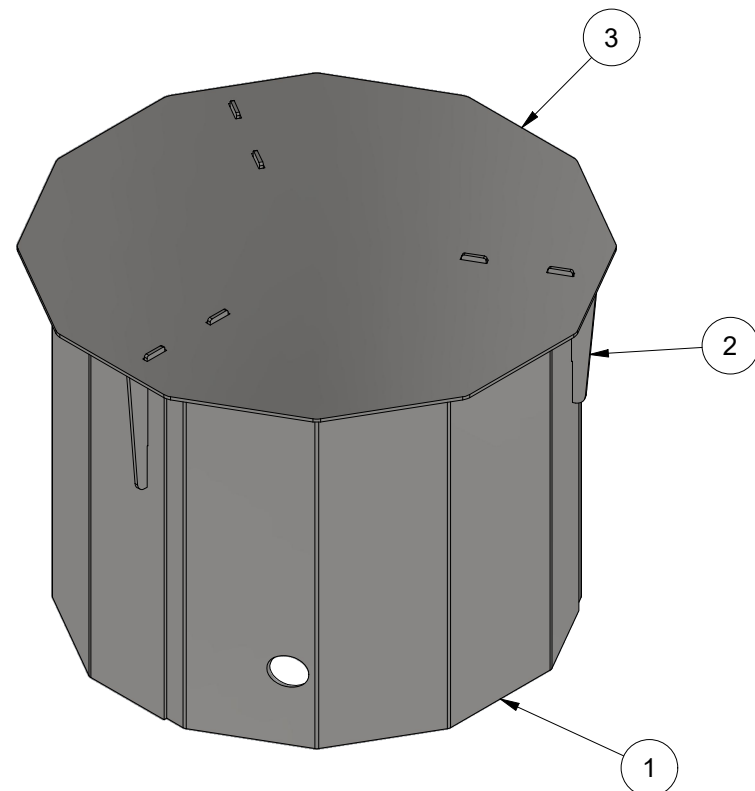
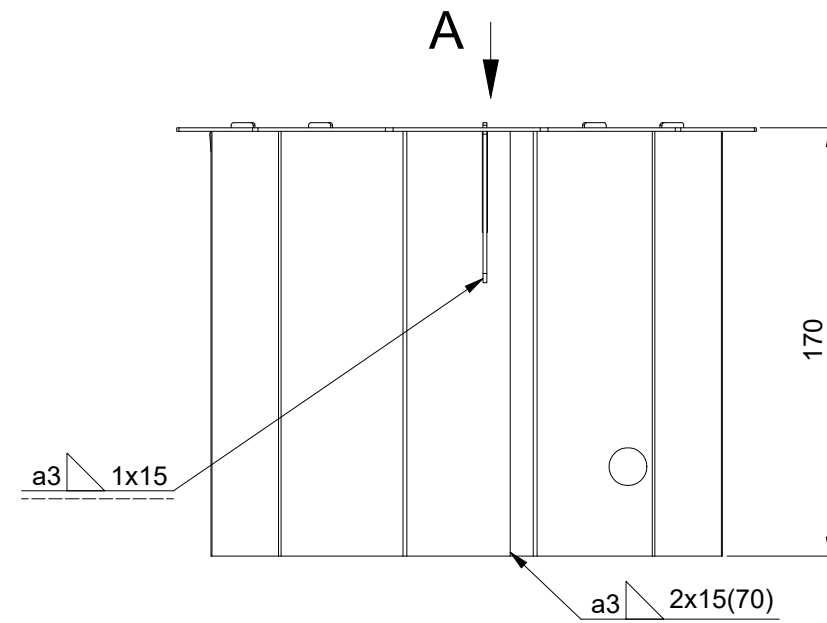
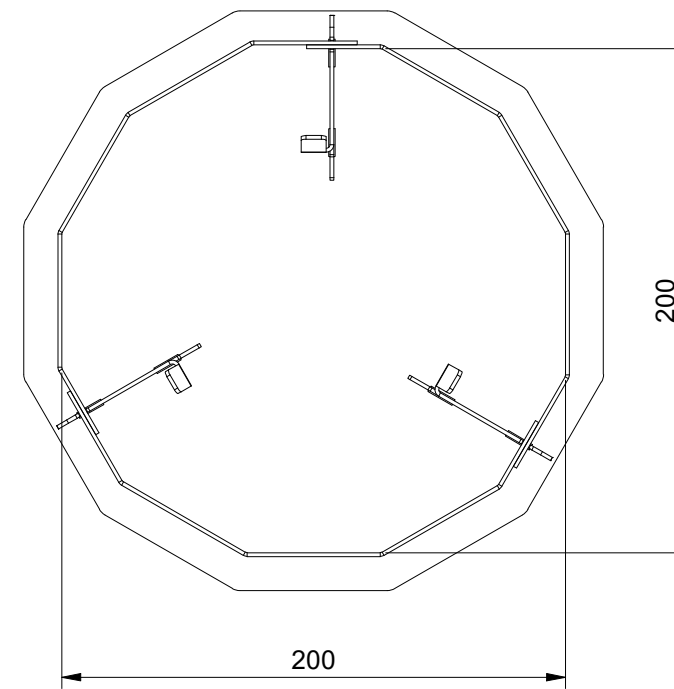
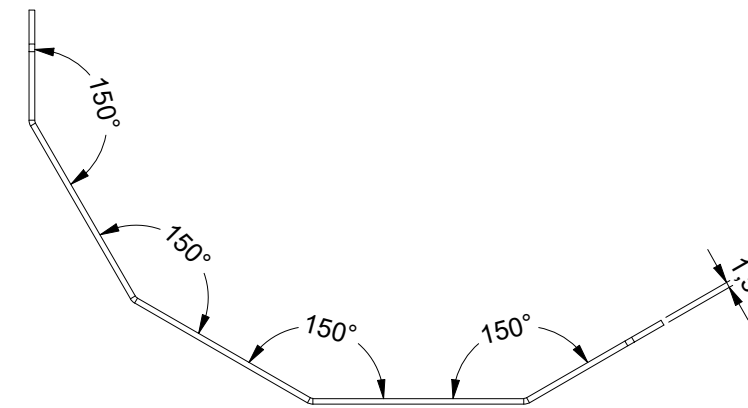
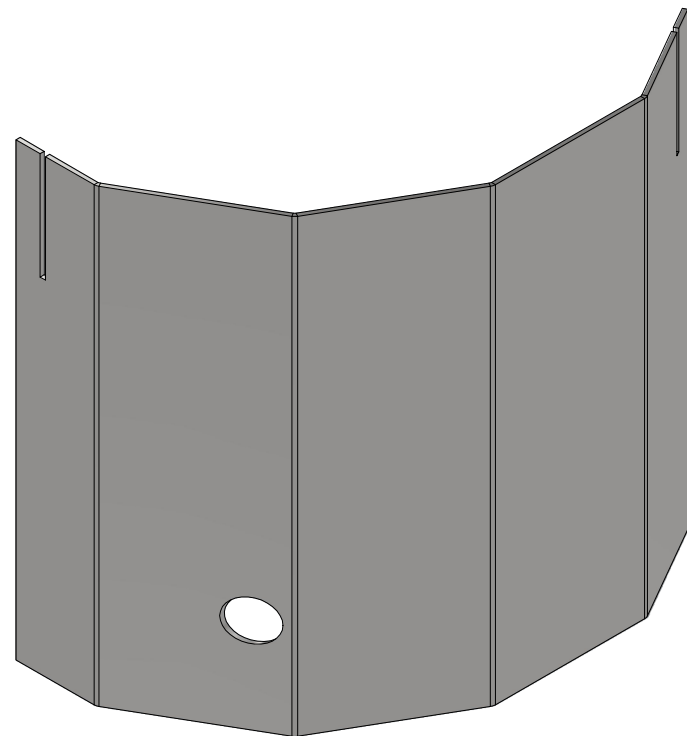
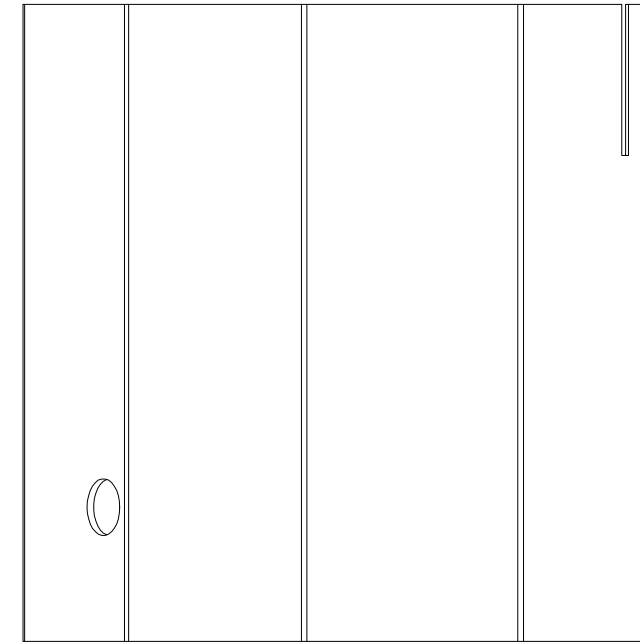
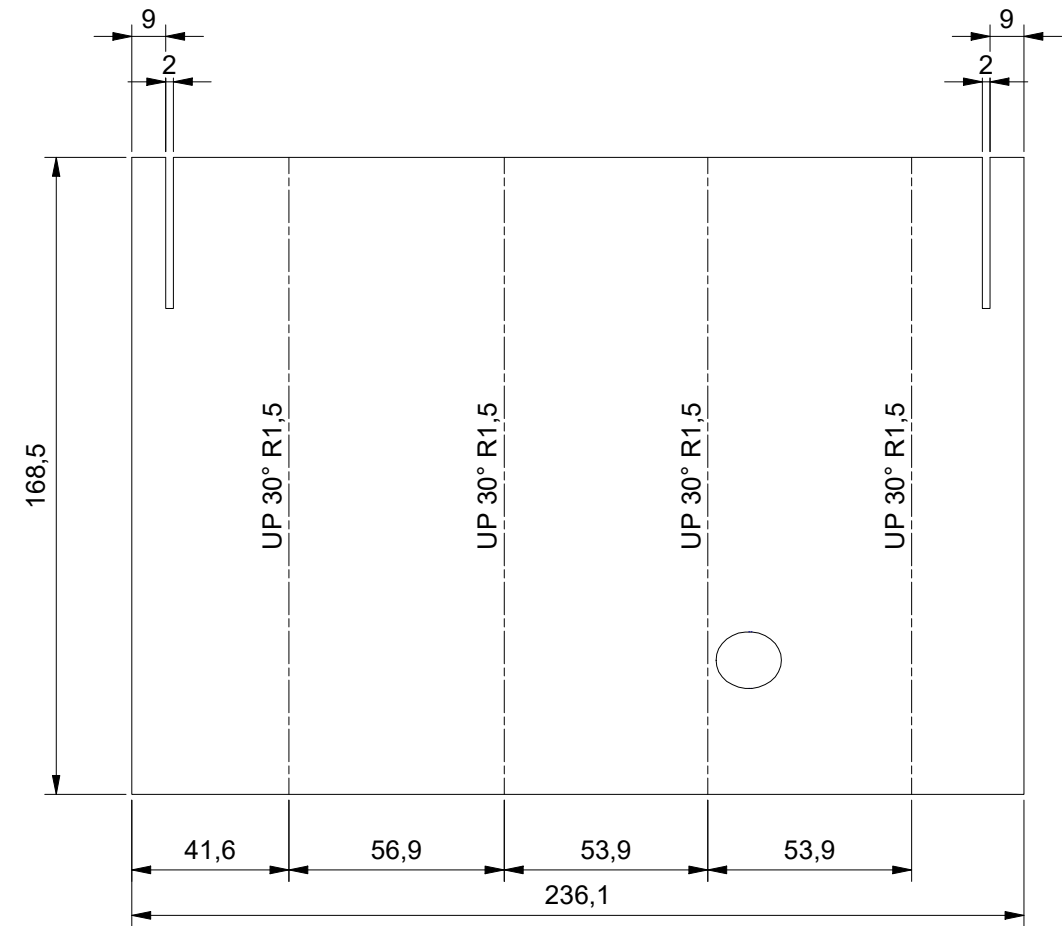


A (1:3)



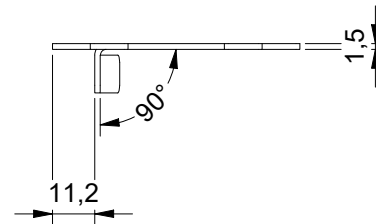
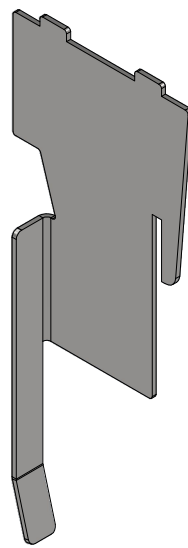
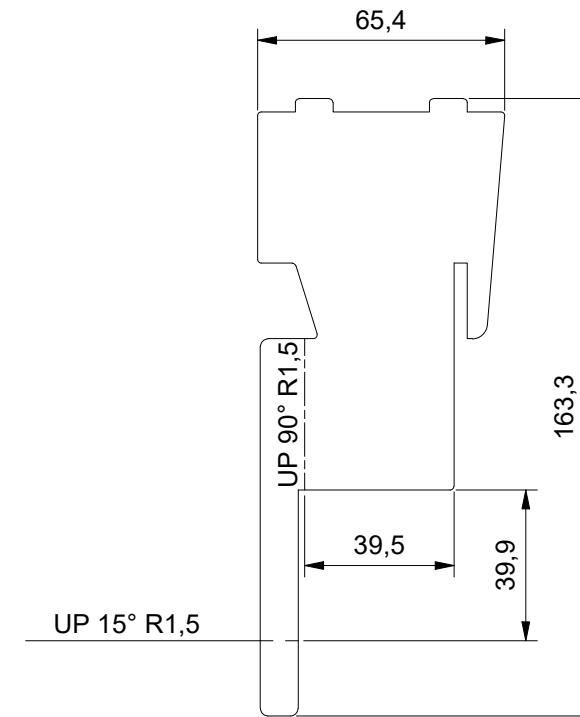
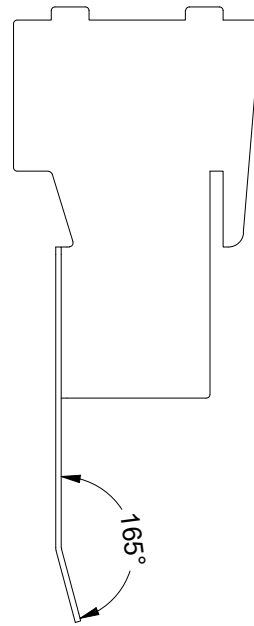
1	3	Hat Wall	1162466-001	Stainless Steel AISI 304
2	3	Hat Centering	1162466-002	Stainless Steel AISI 304
3	1	Hat Cover	1162466-003	Stainless Steel AISI 304
Item	Qty	Title	Part number	MATERIAL

<b>Hitsausvaatimukset</b> Menetelmä: MIG (131) <input type="checkbox"/> MAG (135) <input type="checkbox"/> TIG (141) <input type="checkbox"/> Valinnainen <input checked="" type="checkbox"/> Pätevyys EN287-1: <input type="checkbox"/> Hitsausluokka EN5817: B <input type="checkbox"/> C <input type="checkbox"/> D <input type="checkbox"/> Jälkikäsittely: Peittäus <input checked="" type="checkbox"/> Terävät reunat poistettava <input checked="" type="checkbox"/> Kuumasinkitty <input type="checkbox"/> Visuaalinen tarkastus: <input type="checkbox"/> Tiiveyskoe 0,2bar ilma + ilmaisneste: <input type="checkbox"/>	<b>General Tolerances ISO 2768-m</b>			<b>Description</b> Ventilation Hat		
	>	≤	Tol.	Client / Project / Order No.		
	0,5	6	± 0,1	Material		
	6	30	± 0,2	Scale		
	30	120	± 0,3	22/10/2024 / oskar.om		Drg.No <b>1162466-000</b>
	120	400	± 0,5	File Name		
	400	1000	± 0,8	1162466-000 Ventilation Hat.idw		Weight <b>2 kg</b>
	1000	2000	± 1,2	Sheet		
				A3		Status <b>Released</b>
				Chkd.		
				Appr.		Revision <b>1</b>



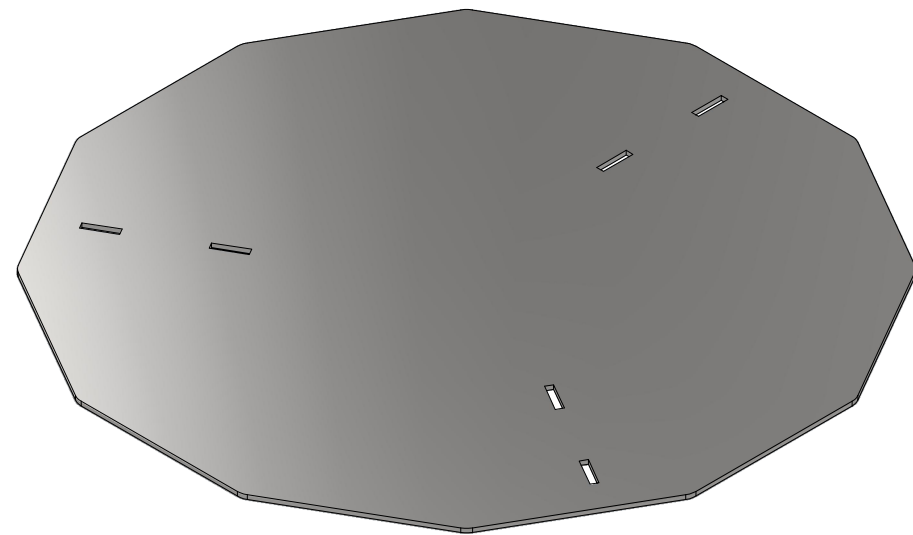
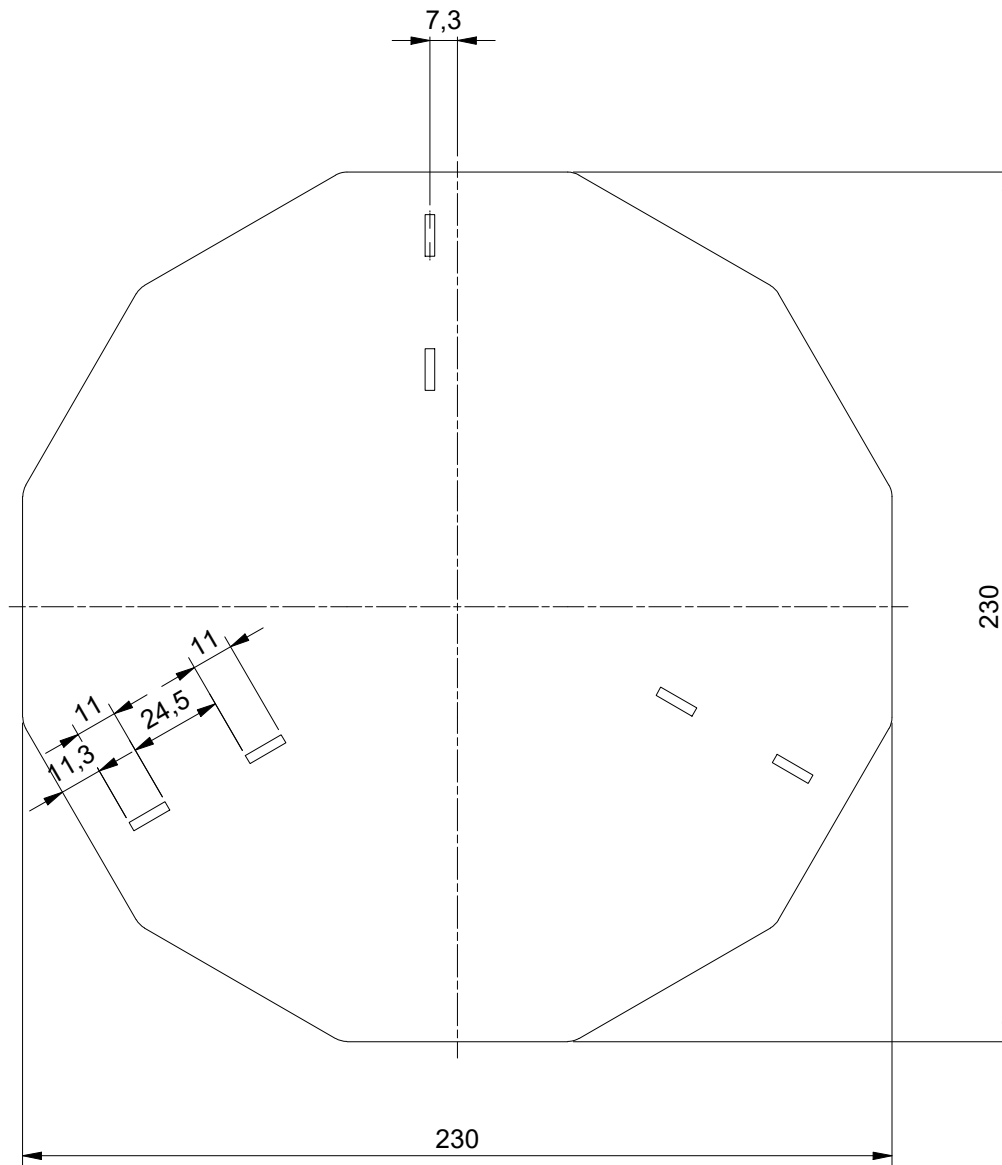
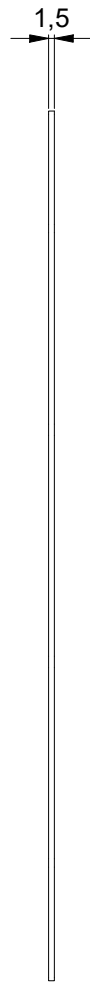
General Tolerances ISO 2768-m			Description		uponor INFRA				
>	≤	Tol.	Hat Wall		Drg.No				
0,5	6	± 0,1			1162466-001				
6	30	± 0,2			Client / Project / Order No.	Weight	Status	Revision	
30	120	± 0,3			Material	Scale	0 kg	Released	1
120	400	± 0,5			Drawn	1 : 2			
400	1000	± 0,8			22/10/2024 / oskar.om				
1000	2000	± 1,2			File Name	Sheet	Chkd.	Appr.	
			1162466-000 Ventilation Hat.idw		A3				

This document constitutes confidential and proprietary information of Uponor Corporation. Any party accepting receipt of this document does so on the express understanding and agreement that it will neither reproduce, disclose to third parties or use this document for any purpose other than those expressly agreed to by any Uponor group company.



General Tolerances ISO 2768-m			Description		uponor INFRA			
>	≤	Tol.	Hat Centering		Drg.No			
0,5	6	± 0,1	Client / Project / Order No.		1162466-002			
6	30	± 0,2			Drg.No			
30	120	± 0,3			1162466-002			
120	400	± 0,5			Drg.No			
400	1000	± 0,8			1162466-002			
1000	2000	± 1,2	Material		Scale	Weight	Status	Revision
			Stainless Steel AISI 304		1 : 2	0 kg	Released	1
			Drawn		Sheet		Chkd.	
			22/10/2024 / oskar.om		A3		Appr.	
			File Name		1162466-000 Ventilation Hat.idw			

This document constitutes confidential and proprietary information of Uponor Corporation. Any party accepting receipt of this document does so on the express understanding and agreement that it will neither reproduce, disclose to third parties or use this document for any purpose other than those expressly agreed to by any Uponor group company.



General Tolerances ISO 2768-m			Description		uponor INFRA				
>	≤	Tol.	Hat Cover		Drg.No				
0,5	6	± 0,1	Client / Project / Order No.		1162466-003				
6	30	± 0,2			Material Stainless Steel AISI 304				
30	120	± 0,3			Scale		Weight	Status	Revision
120	400	± 0,5			1 : 2		1 kg	Released	1
400	1000	± 0,8			Drawn		Chkd.		
1000	2000	± 1,2			22/10/2024 / oskar.om		Appr.		
			File Name		Sheet		A3		
			1162466-000 Ventilation Hat.idw						

This document constitutes confidential and proprietary information of Uponor Corporation. Any party accepting receipt of this document does so on the express understanding and agreement that it will neither reproduce, disclose to third parties or use this document for any purpose other than those expressly agreed to by any Uponor group company.