

4

3

2

1

F

F

E

E

D

D

C

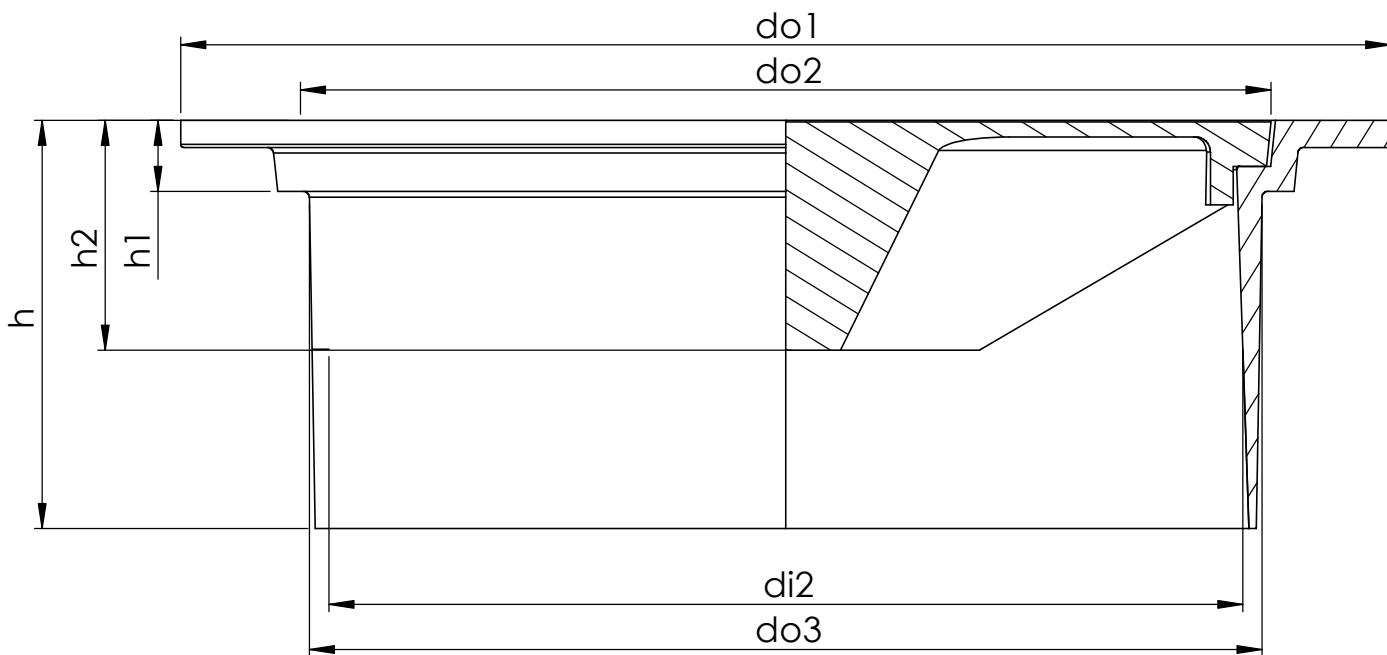
C

B

B

A

A



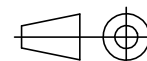
Item	Size	di2	do1	do2	do3	h	h1	h2
1058192	625	604	800	642	630	270	47	152



Description  
 INFRA  
 Mounting dimensions  
 Chamber components

Drawing number  
 Z\_Chamber\_cover\_with\_floating\_frame

Sheet: 1/1



4

3

2

1