

4

3

2

1

F

F

E

E

D

D

C

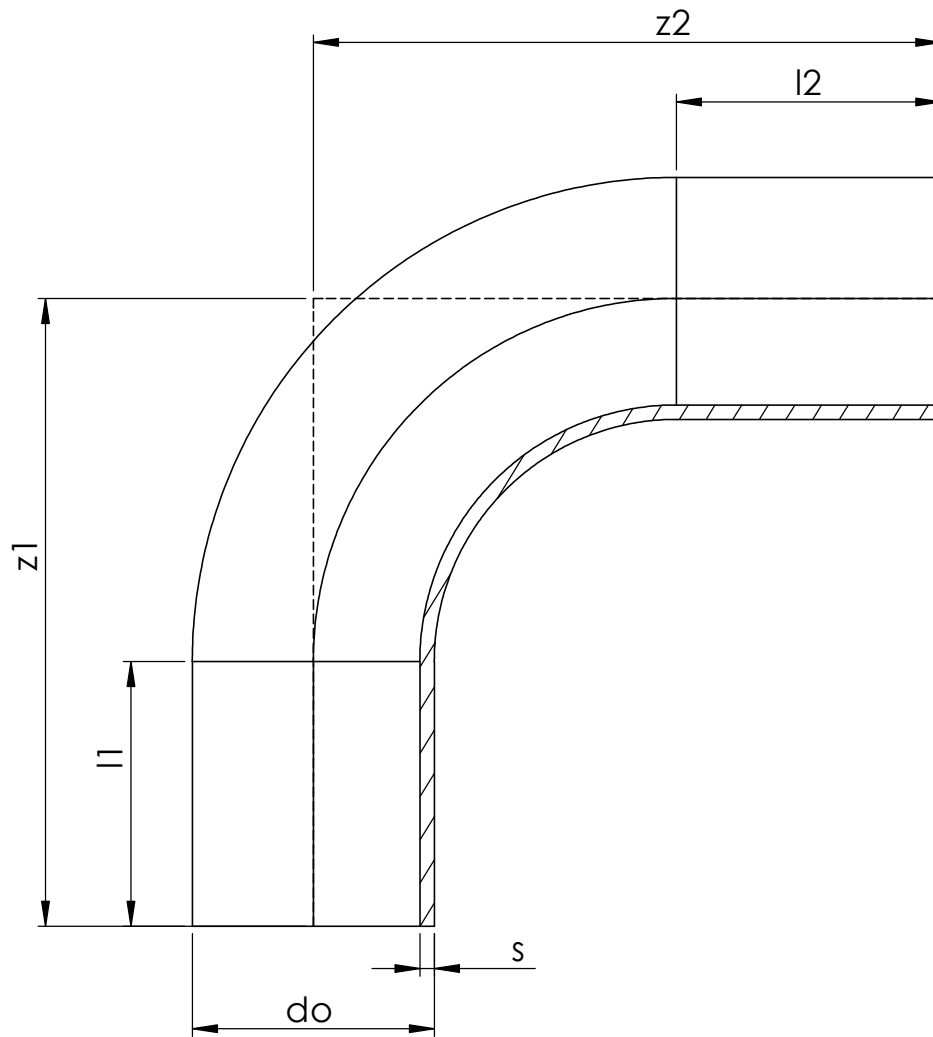
C

B

B

A

A



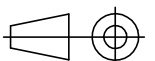
Item	Size	do	l1	l2	s	z1	z2
1121628	160	160	150	150	9,5	415	415
1118593	200	200	150	150	11,9	475	475

**Uponor**

Description  
INFRA  
Mounting dimensions  
Pressure bend PN10 SDR17  
Cold fittings

Drawing number  
Z\_Pressure\_bend\_PN10\_SDR17

Sheet: 1/1



4

3

2

1