

4

3

2

1

F

F

E

E

D

D

C

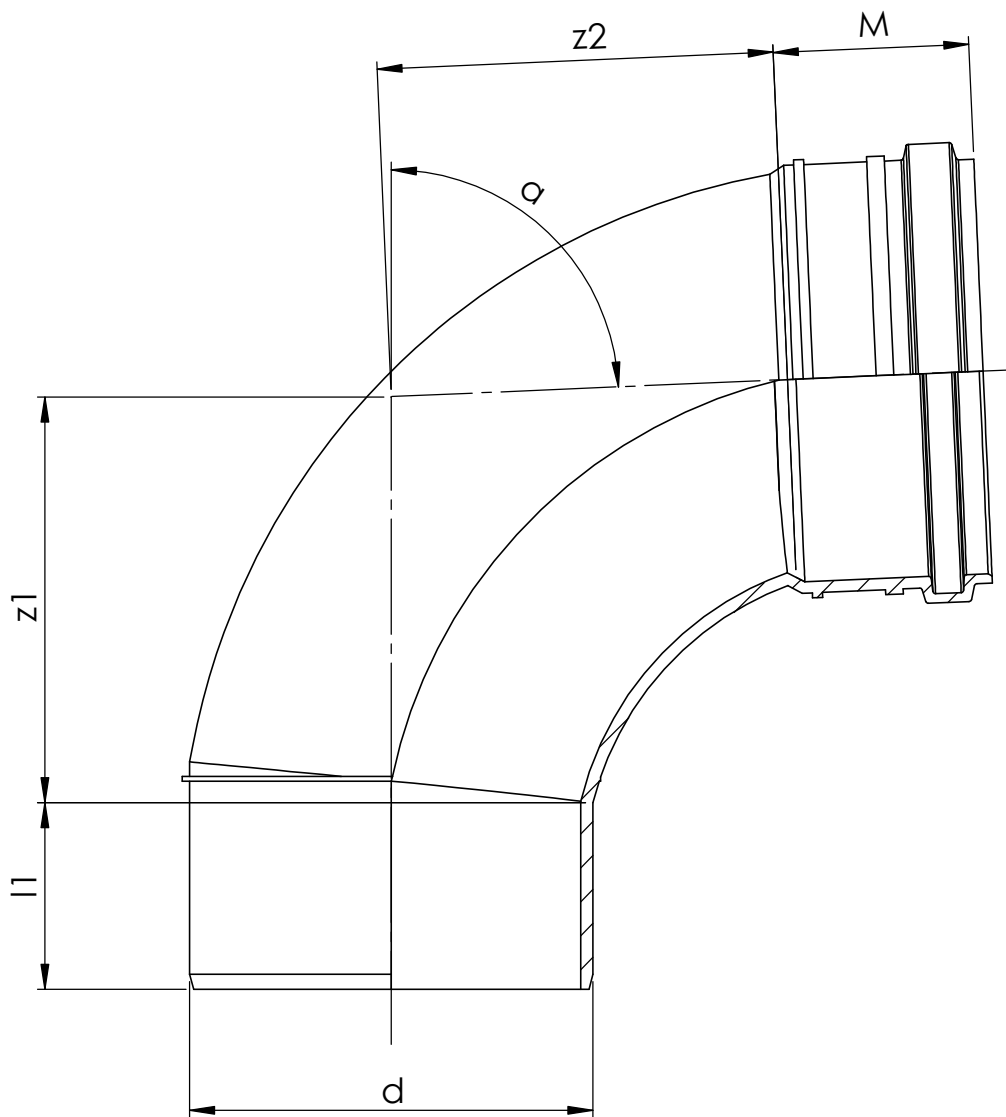
C

B

B

A

A

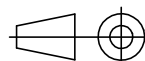


Item	Size	d	l1	z1	z2	M	a
1050094	160	160	74	161	158	77	87,5°

Uponor

Description
INFRA
Mounting dimensions
Bend 87,5° Swept
Underground drainage

Drawing number
Z_Underground_drainage_bend_87_deg_swept



Sheet: 1/1

4

3

2

1