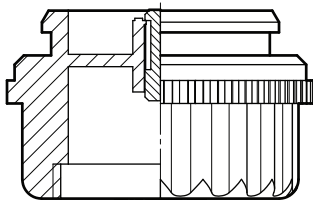
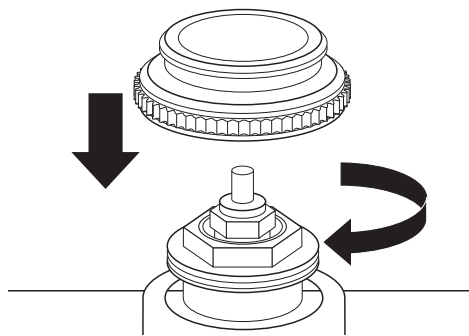
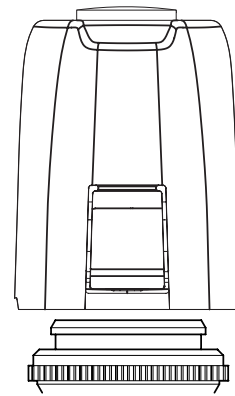
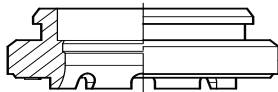


Uponor Smatrix Actuator Retrofit Compatibility



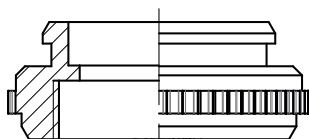
VA 16 H
M28x1.5 mm

Supplier	Type
Herz	Thermostatic valve 7760 TS-99-FV
Polytherm	Manifold 1



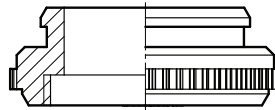
VA 26

Supplier	Type
Giacomini	R553D/2



VA 32
M28x1.5 mm

Supplier	Type
Nereus	9440
Tour & Andersson	Brass distributor TRV 400
Uponor	Vario B WGF



VA 50
M30x1.5 mm

Supplier	Type
Bell & Gossett	Zone valve
Broen	Ballorex Dynamic
Comap	K9000P (Actuator required from 5mm stroke.)
Emcal	Stainless steel distributor (from March 2023)
Esbe	VTA372 (Actuator required from 5mm stroke.)
FAR	3086 (Actuator required from 5mm stroke.) 3086 1 3087 (Actuator required from 5mm stroke.) 3089 (Actuator required from 5mm stroke.) 3913
Honeywell	V 2060 DUB15 V5822A4000 (Motorized actuator required.) V5832A4008 (Motorized actuator required.) VM2000 EUB20
Itap	917
IVAR	VFC 01 VALV.FANC.2V1/2 KV 0.63 VFC 03 V.FANC. 4V 1/2 KV 1.00
Johnson Controls	VG 6210 EC VG 6210 JC VG 6510 EC
KaMo	Brass distributor (from September 2005)
KIDS	KBP25 DN 15 (Actuator required from 5mm stroke.) KBP25 DN 20 (Actuator required from 5mm stroke.) KBP25 DN 25 (Actuator required from 5mm stroke.)
Meibes	Ballorex Dynamic DN 15S Ballorex Dynamic DN 20S (Actuator required from 5mm stroke.) Ballorex Dynamic DN 32H (Motorized actuator required.)
MNG	(before 1998) THV-BB THV-KV THV-UBG
Pantherm	Floorstar Manitop Manitop Termoplastico
PresBlock	Monoesa (Actuator required from 5mm stroke.) UFH-MDK (Actuator required from 5mm stroke.)

Supplier	Type
RBM	608.06.60 (Actuator required from 5mm stroke.) 1411.06.10 (Actuator required from 5mm stroke.) Series 1410.A (Actuator required from 5mm stroke.)
Reich	UniQuick MS
Sauter	BUT 010 F200 (Actuator required from 5mm stroke.) BUT 010 F400 BUT 010 F420 (Actuator required from 5mm stroke.) BUT 015 F210 (Actuator required from 5mm stroke.) BUT 015 F410 VDL 010 F200 (Actuator required from 6,5mm stroke.) VXL 010 F220
Savar Brass	2003 0100 7004 0100
Saverbrass	Series 6100 0100 Series 6350 0100
SBK Siegfried Böhnisch	PMV-B (until 1998)
Seppelfricke	2-FA Manifold-S
Siemens	VDN 110 VDN 115 VDN 120 VDN 215 VEN 110 VEN 120 VUN 210 VUN 215
Simplex	Siro
Spartan	V240 (Actuator required from 5mm stroke.)
Tobler	Stramax 220TT2-07-08S (Actuator required from 5mm stroke.)
Tyne Flow LTD.	TFVP 22501-020 (Actuator required from 5mm stroke.)
Watts	131 U (DN 20.) 131 UM 2131 3131 (DN 15.) 4131 (DN 20.)
Wittigsthal	FT6-E FVTZ-3-H-E (from 2018)

Uponor GmbH

Industriestraße 56,
D-97437 Hassfurt, Germany

1068132 v2_04_2024
Production: Uponor / SKA

Uponor reserves the right to make changes, without prior notification, to the specification of incorporated components in line with its policy of continuous improvement and development.



www.uponor.com