

4

3

2

1

F

F

E

E

D

D

C

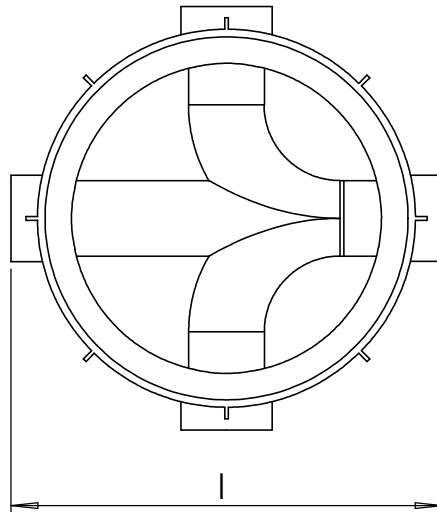
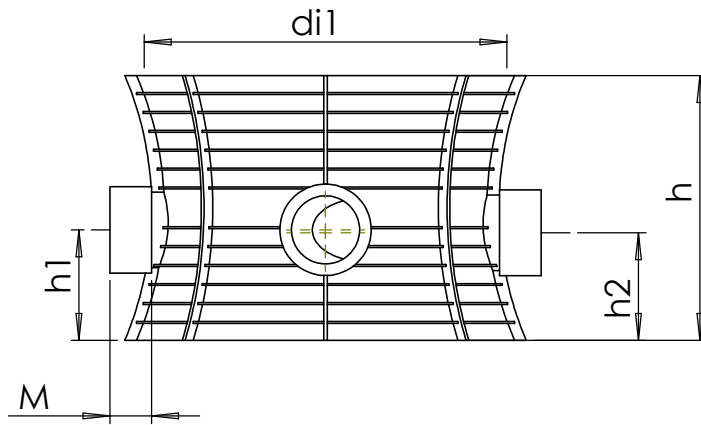
C

B

B

A

A



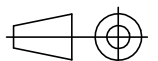
Item	Size	di1	l	h	h1	h2	M
1089852	1000/200 CROSS	1000	1255	700	184	292	110
1089853	1000/250 CROSS	1000	1340	700	182	314	140
1089854	1000/315 CROSS	1000	1426	700	180	345	153

uponor

Description
INFRA
Mounting dimensions
Sewer inspection chamber
modular

Drawing number
Z_Accesso_1000_0-90-180-270_deg_T2

Sheet: 1/1



4

3

2

1