

4

3

2

1

F

F

E

E

D

D

C

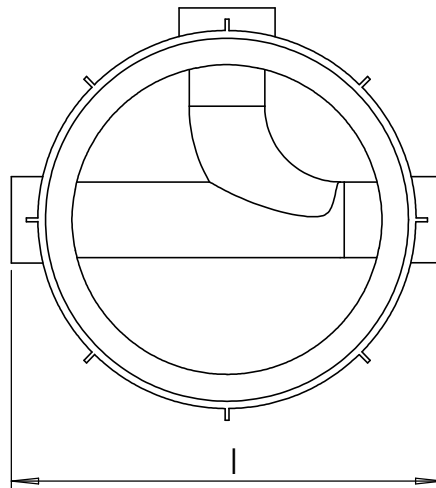
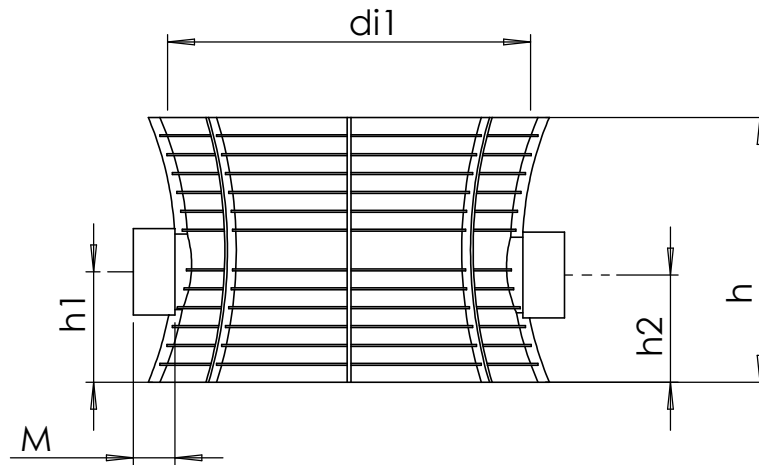
C

B

B

A

A



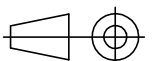
Item	Size	di1	l	h	h1	h2	M
1057574	1000/200 180-270 DEG	1000	1255	700	292	284	110
1057580	1000/250 180-270 DEG	1000	1340	700	314	307	140
1057586	1000/315 180-270 DEG	1000	1426	700	345	337	153

**Uponor**

Description  
INFRA  
Mounting dimensions  
Sewer inspection chamber  
modular

Drawing number  
Z\_Accesso\_1000\_0-180-270\_deg\_T4

Sheet: 1/1



4

3

2

1