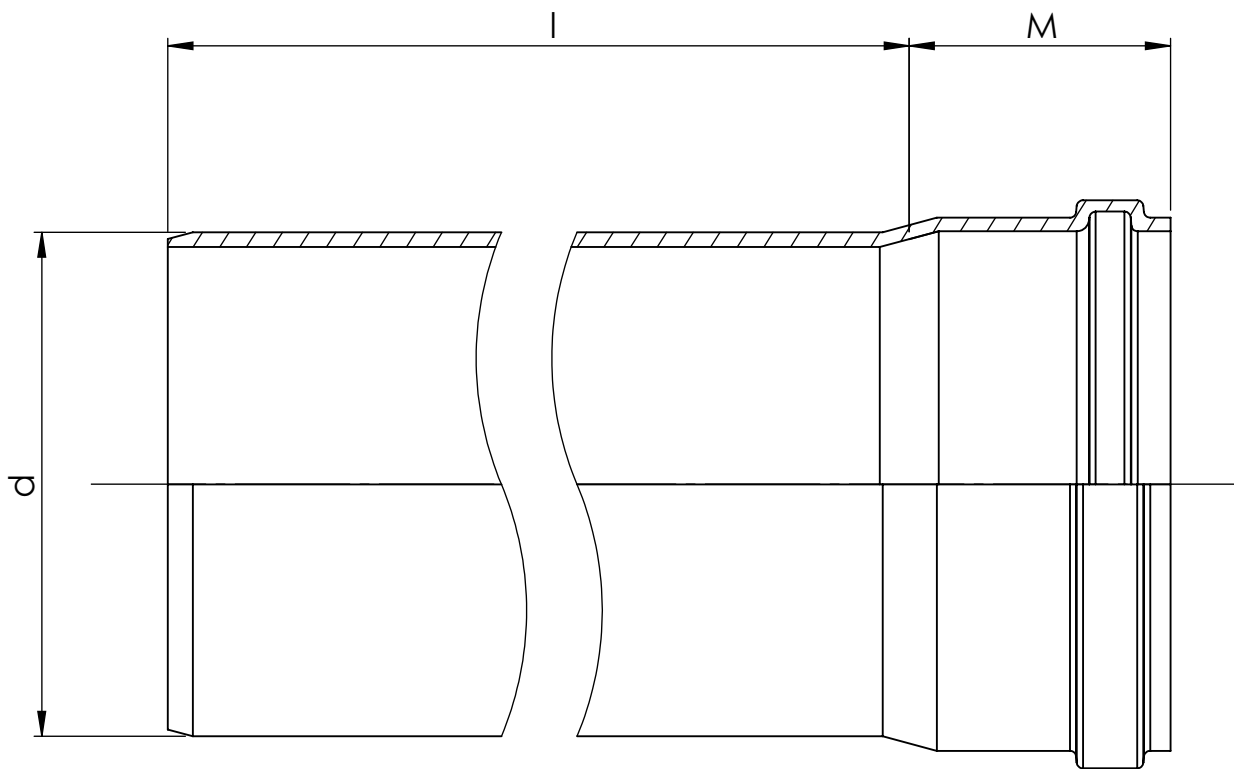


4

3

2

1



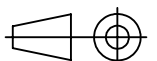
| Item | Size | d | l | M |
|---------|----------|-----|------|-----|
| 1126764 | 110x6000 | 110 | 5986 | 64 |
| 1126765 | 160x6000 | 160 | 5972 | 88 |
| 1126766 | 200x6000 | 200 | 5977 | 104 |
| 1126767 | 250x6000 | 250 | 5977 | 122 |
| 1126768 | 315x6000 | 315 | 5977 | 141 |
| 1126769 | 400x6000 | 400 | 5972 | 166 |

uponor

Description
INFRA
Mounting dimensions
PVC STORM WATER PIPES

Drawing number
Z_Storm_Water_Pipe_SN8_Black_PVC

Sheet: 1/1



4

3

2

1