

4

3

2

1

F

F

E

E

D

D

C

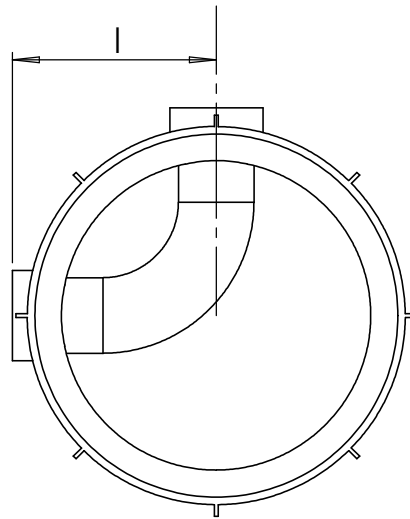
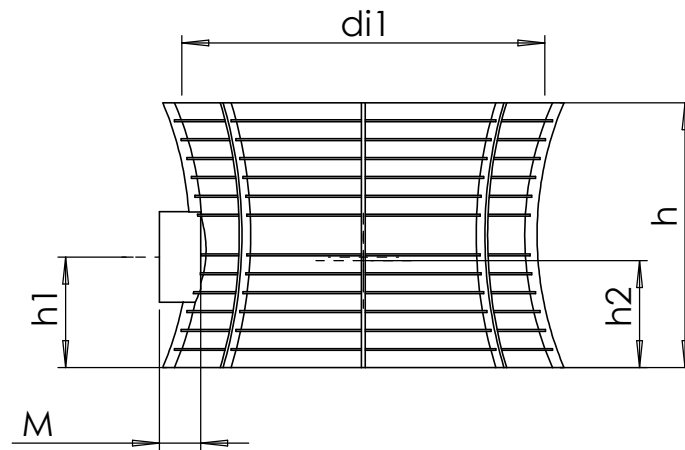
C

B

B

A

A



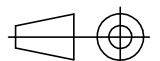
Item	Size	di1	l	h	h1	h2	M
1057575	1000/200 0-90DEG	1000	1255	700	292	284	110
1057581	1000/250 0-90DEG	1000	1340	700	314	307	140
1057587	1000/315 0-90 DEG	1000	1426	700	345	337	153
1057590	1000/400 0-90 DEG	1000	782	700	388	378	175

uponor

Description
INFRA
Mounting dimensions
Sewer inspection chamber
modular

Drawing number
Z_Accesso_1000_0-270_deg_T5_right

Sheet: 1/1



4

3

2

1