

4

3

2

1

F

F

E

E

D

D

C

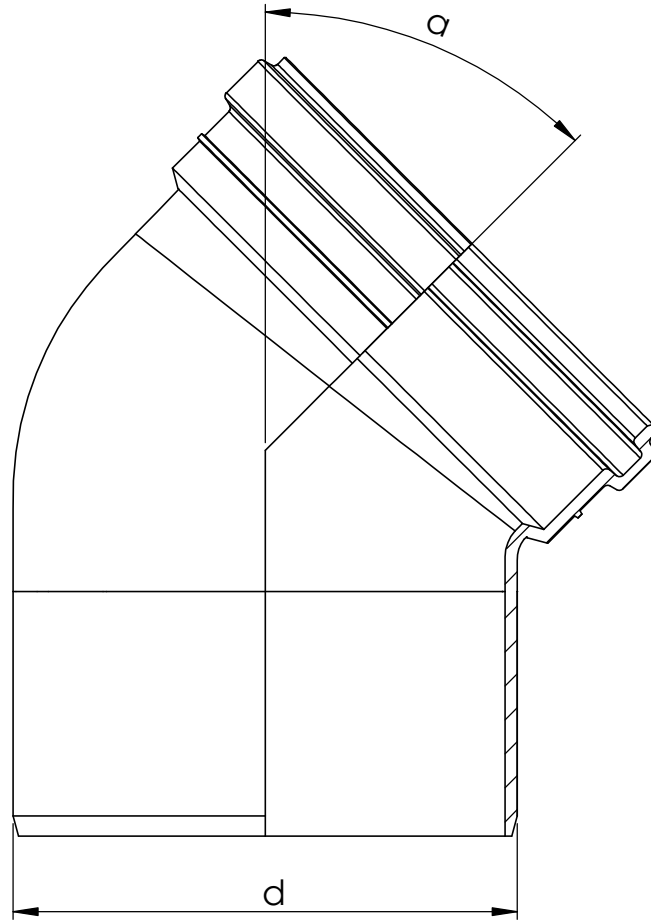
C

B

B

A

A



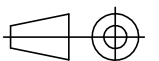
Item	Size	d	a
1120447	200	200	45°
1120451	250	250	45°
1120455	315	315	45°

**Uponor**

Description  
INFRA  
Mounting dimensions  
Bend 45°  
Underground drainage

Drawing number  
Z\_Underground\_drainage\_bend\_45\_deg\_200\_315

Sheet: 1/1



4

3

2

1