

4

3

2

1

F

F

E

E

D

D

C

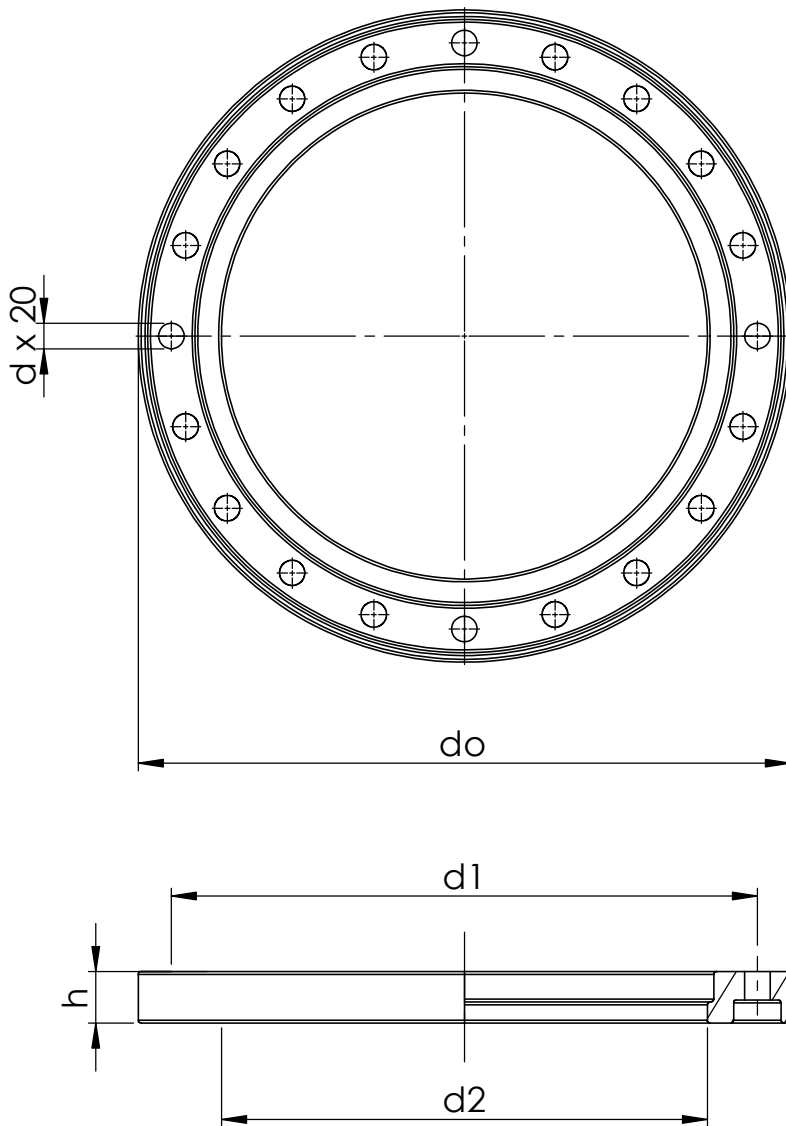
C

B

B

A

A



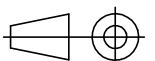
Item	Size (flange/collar)	d	Bolt size	d1	d2	d _o	h	Operating pressure (max)
1056574	500/450	26	M24	620	514	690	55	10
1056575	500/500	26	M24	620	530	690	55	10
1056576	600/560	30	M27	725	615	804	62	10

Uponor

Description
INFRA
Mounting dimensions
Pressure flange PN10 PP
Flanges

Drawing number
Z_Pressure_flange_PN10_PP

Sheet: 1/1



4

3

2

1