

4

3

2

1

F

F

E

E

D

D

C

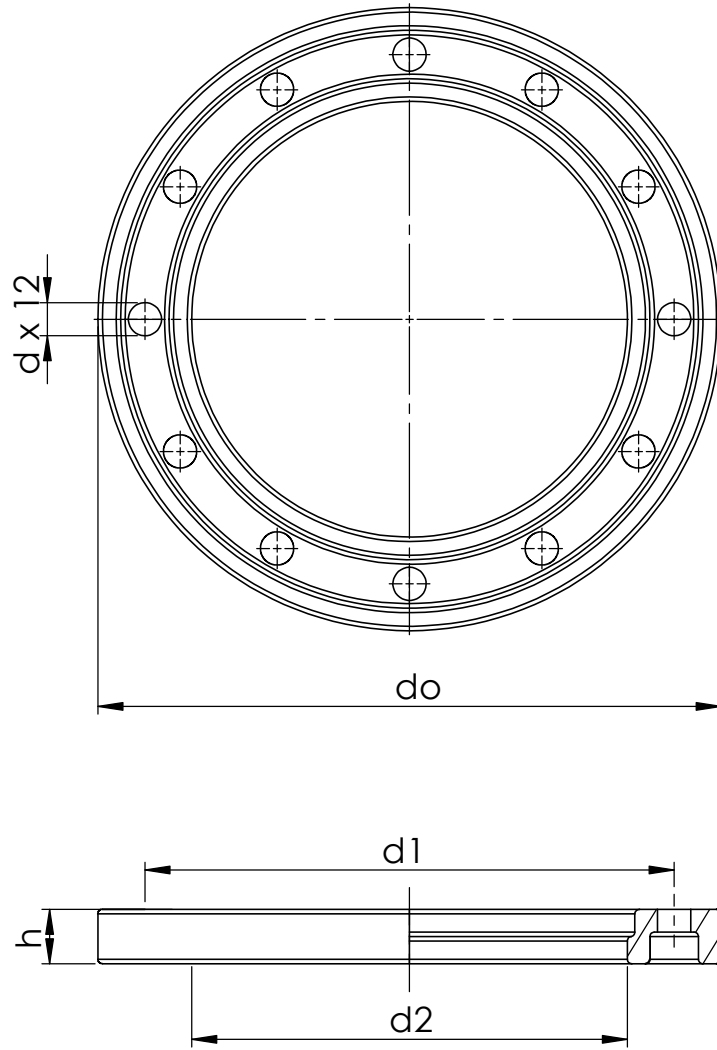
C

B

B

A

A



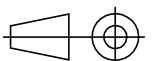
Item	Size (flange/collar)	d	Bolt size	d1	d2	d0	h	Operating pressure (max)
1053789	250/250	22	M20	350	288	412	36	16
1056572	250/280	22	M20	350	294	412	35	16
1053790	300/315	22	M20	400	338	462	42	16

uponor

Description
INFRA
Mounting dimensions
Pressure flange DN250-300 PN10/PN16 PP
Flanges

Drawing number
Z_Pressure_flange_DN_250_300_PN10_PN16_PP

Sheet: 1/1



4

3

2

1