

4

3

2

1

F

F

E

E

D

D

C

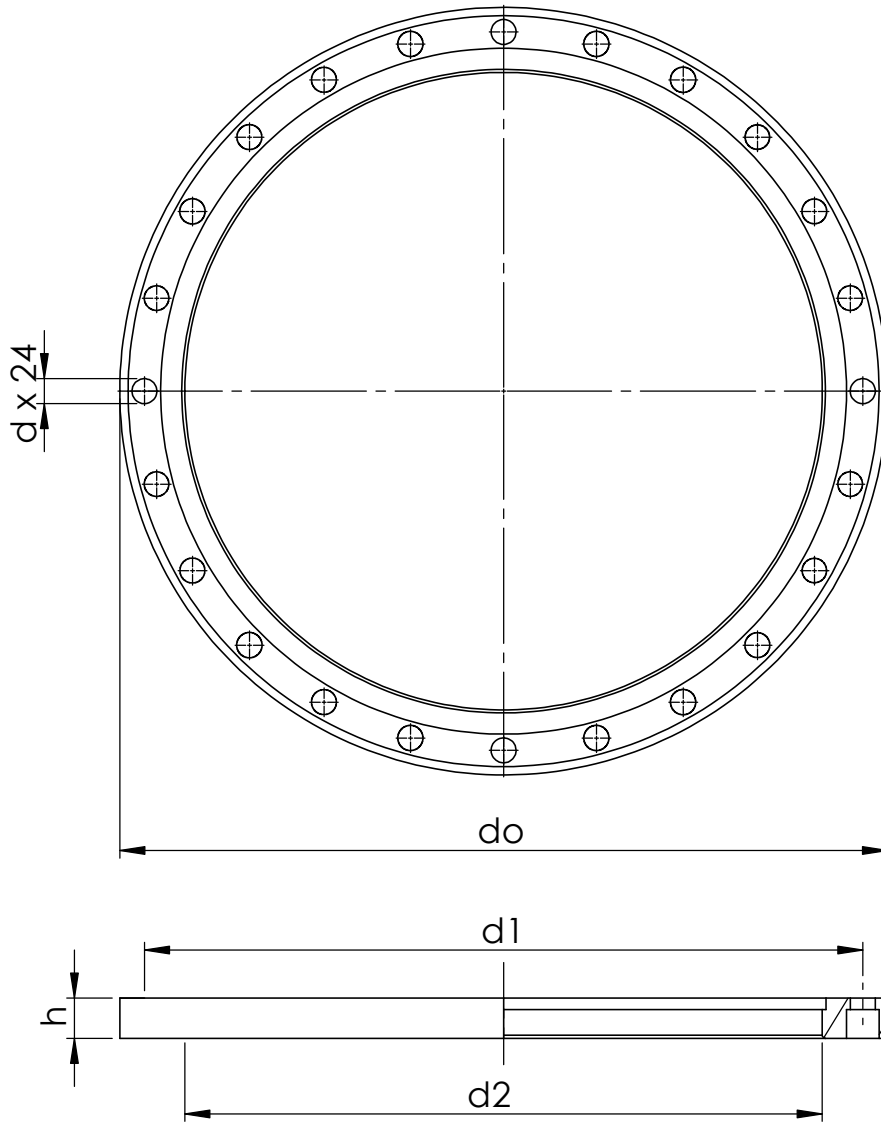
C

B

B

A

A



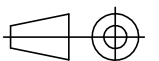
Item	Size (flange/collar)	d	Bolt size	d1	d2	do	h	Operating pressure (max)
1068676	800/800	33	M30	950	843	1015	53	6

Uponor

Description
INFRA
Mounting dimensions
Pressure flange PN10/PN6 EPOX
Flanges

Drawing number
Z_Pressure_flange_DN800_PN10_PN6_EPOX

Sheet: 1/1



4

3

2

1