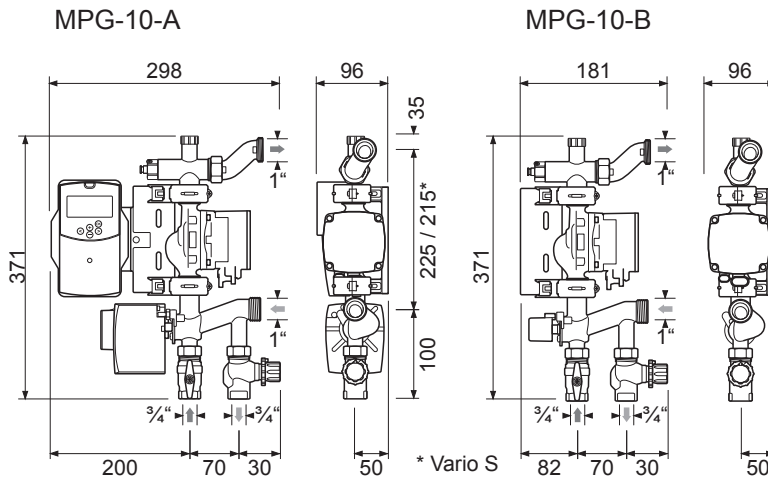
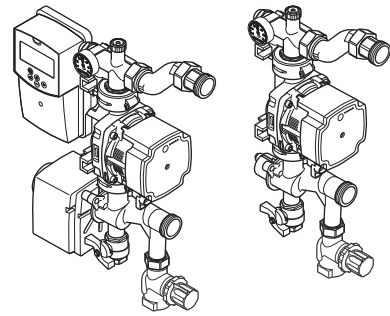


Uponor

Uponor Fluvia Move pumpgroup MPG 10



$Q_{max} = 10 \text{ kW}$



$\vartheta_{sec} = 15 - 55^\circ\text{C}$



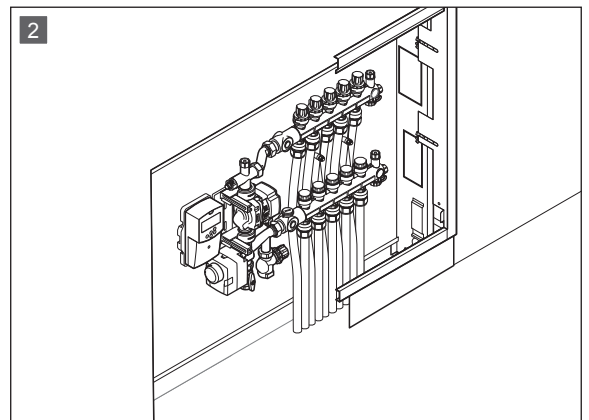
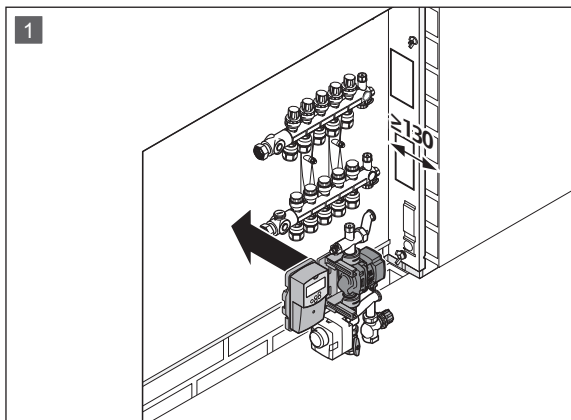
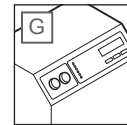
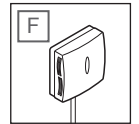
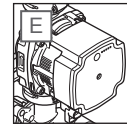
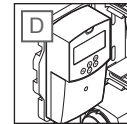
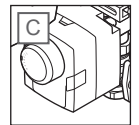
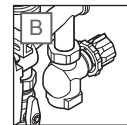
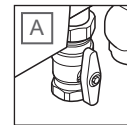
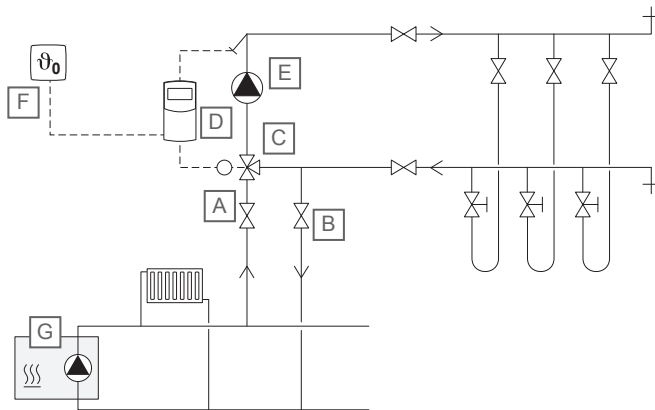
$kvs = 5 \text{ m}^3/\text{h}$

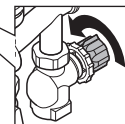
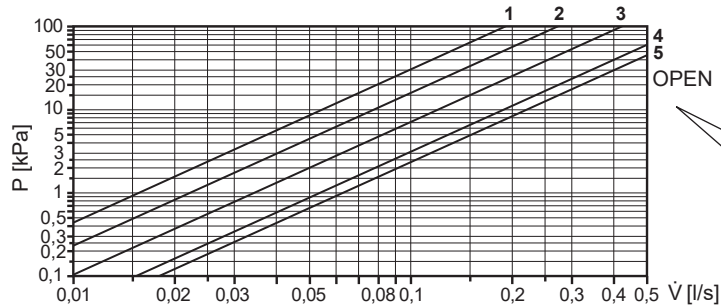
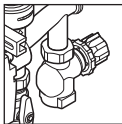
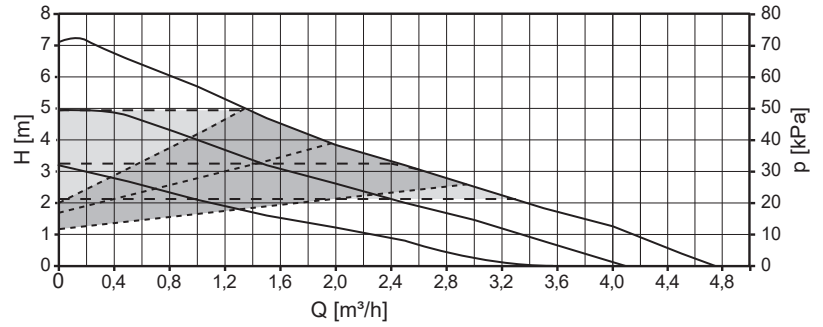
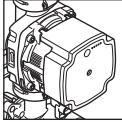
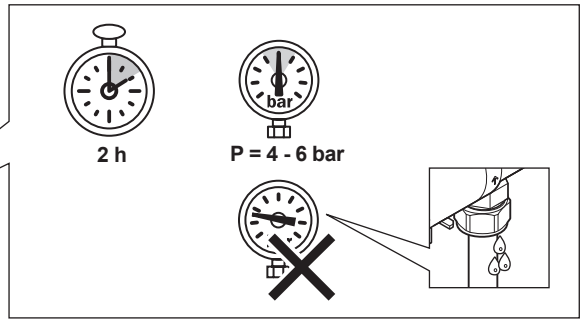
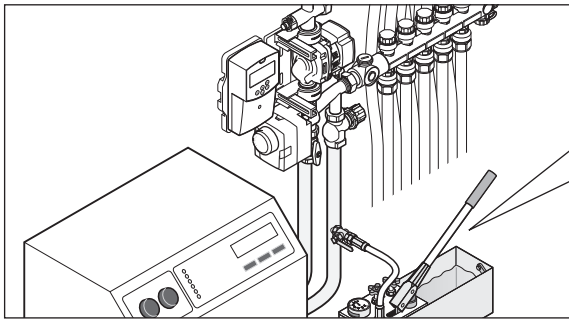


$P_{max} = 6 \text{ bar}$



15 Ltr/h





Uponor Smatrix Move



www.uponor.com/services/download-centre

Uponor GmbH

Industriestraße 56,
D-97437 Hassfurt, Germany

1095408 v2_02_2023 INT
Production: Uponor / SKA

Uponor reserves the right to make changes, without prior notification, to the specification of incorporated components in line with its policy of continuous improvement and development.



www.uponor.com