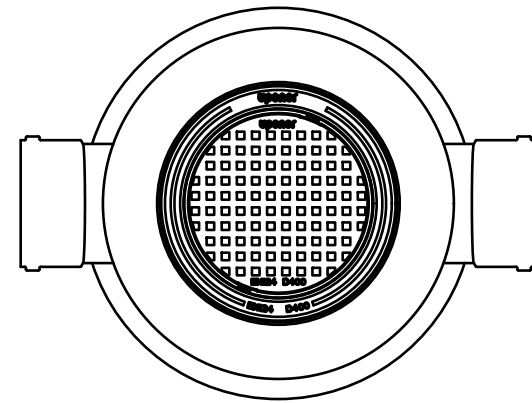


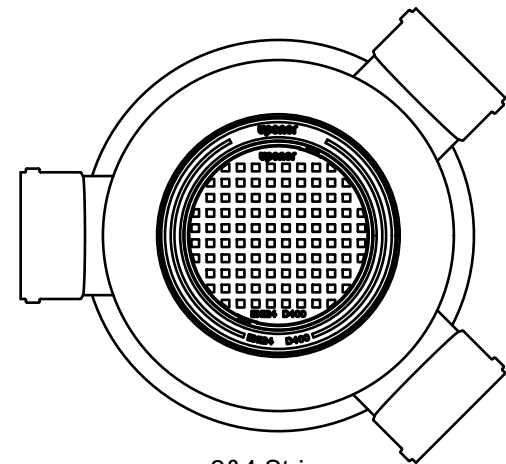
Uponor Stormwise Stormwater IQ-tank inlet chamber 800-1200

Connection placement depends on number of strings in the system

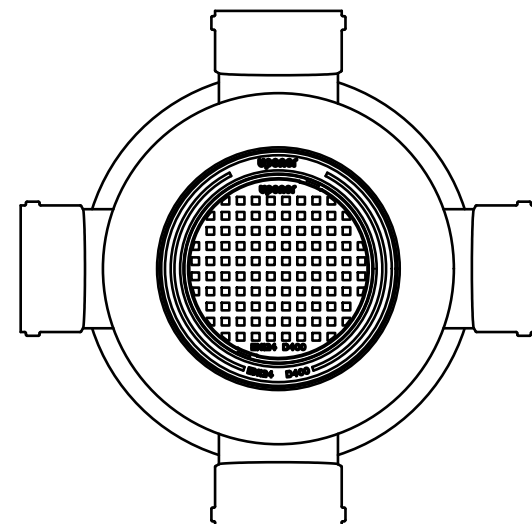
Ø800/500 Telescope with cast iron cover
Used with string Ø1200



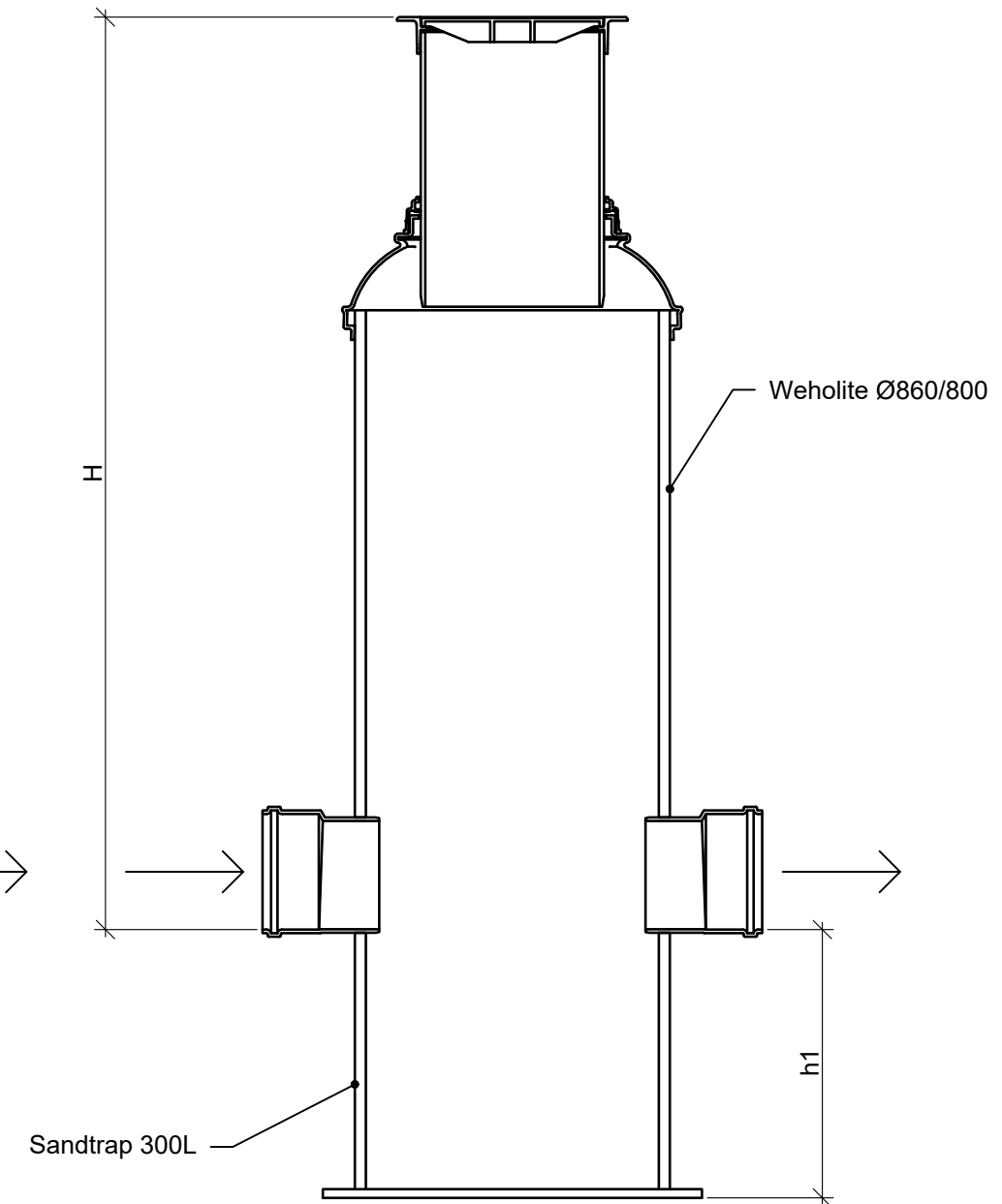
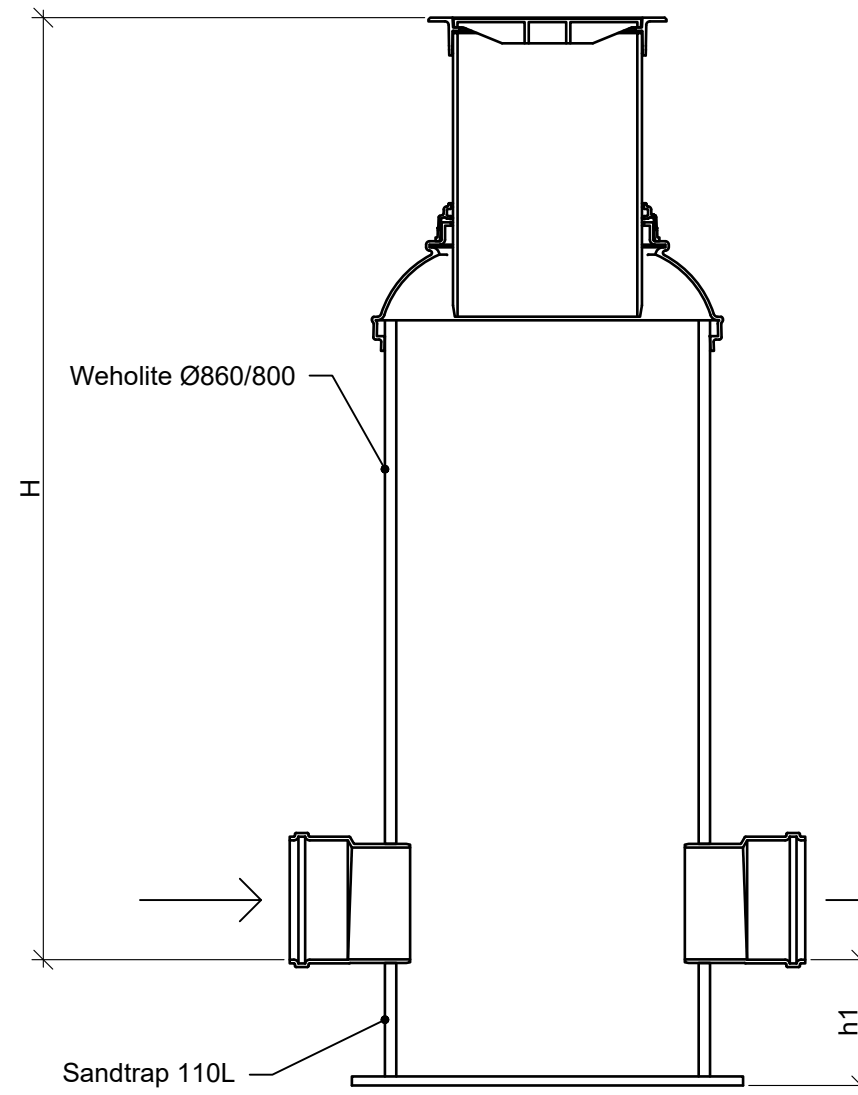
1 String



2&4 Strings



3&5 Strings



Inlet chamber			
Size	Height [H]	h1	Strings[1-5]
800 / 110 L		300	
800 / 300 L		700	
1000 / 300 L		390	
1200 / 500 L		450	

CASE NUMBER	DRAWN BY	HANDLED BY
	---	---
DATE	CONTACT PERSON	
30.09.2022	---	
CONTENT		
UPONOR STORMWISE IQ RETENTION TANK INLET CHAMBER		
SCALE	NUMBER	
1:20 (A3)	1139923-22	