

4

3

2

1

F

F

E

E

D

D

C

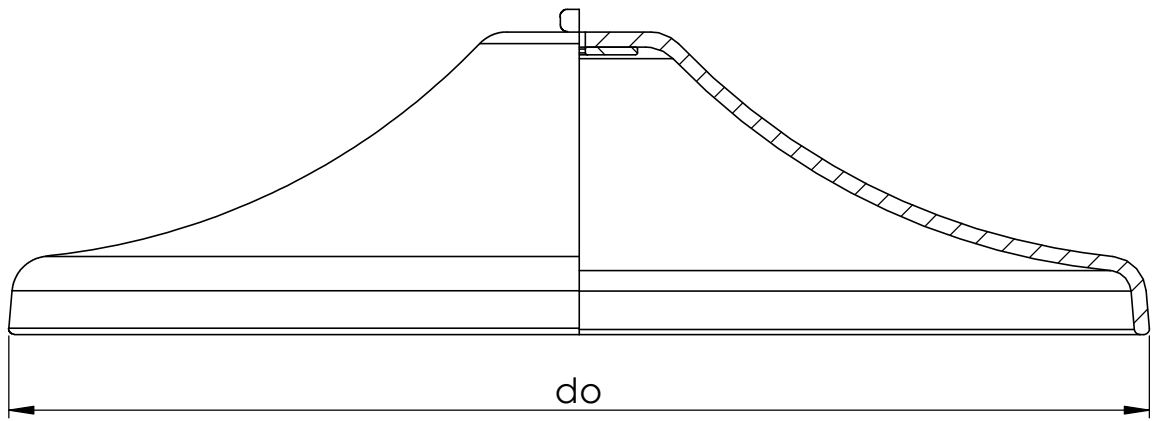
C

B

B

A

A



Item	Size	do
1050675	315	315
1050676	500	500

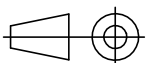
Uponor

Description
 INFRA
 Mounting Dimensions
 Chamber components
 Chamber freezing shelter 1-part

Drawing number

Z_Chamber_freezing_shelter_1_part

Sheet: 1/1



4

3

2

1