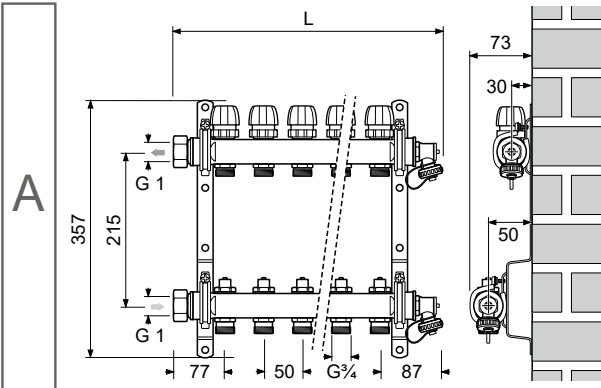
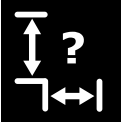
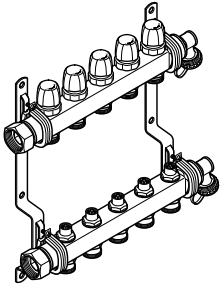


# Uponor

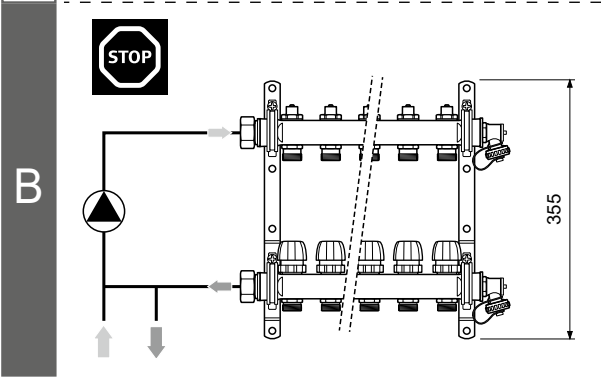
## Uponor Vario S manifold LS



n	L [mm]
2	210
3	260
4	310
5	360
6	410

n	L [mm]
7	460
8	510
9	560
10	610
11	660

n	L [mm]
12	710
13	760
14	810
15	860
16	910



$\vartheta_{sec} = 15 - 60^{\circ}C$



$P_{max} = 6 \text{ bar}$



$P_{test} = 10 \text{ bar}$



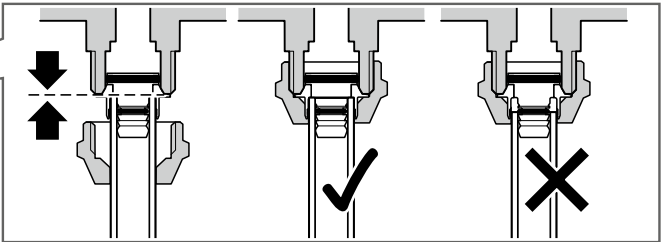
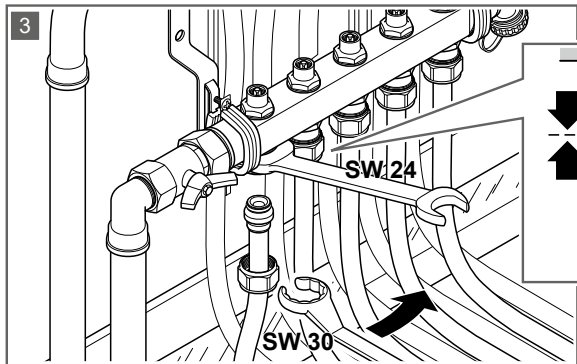
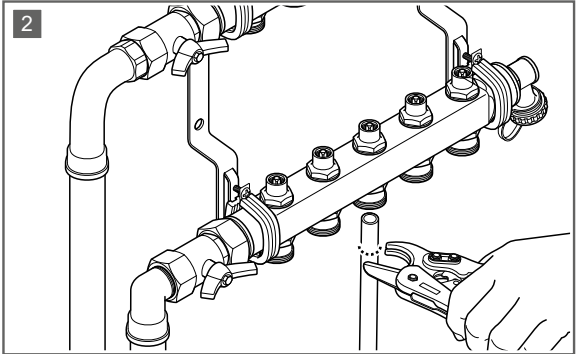
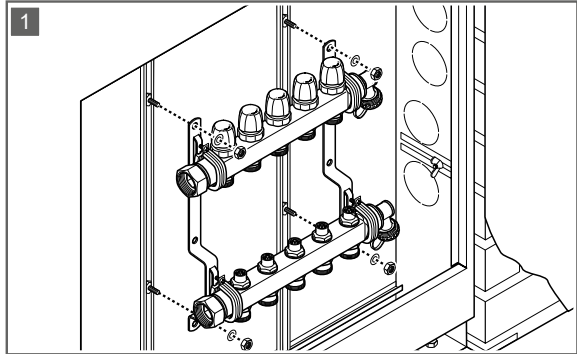
$kvs = 2,45 \text{ m}^3/h$

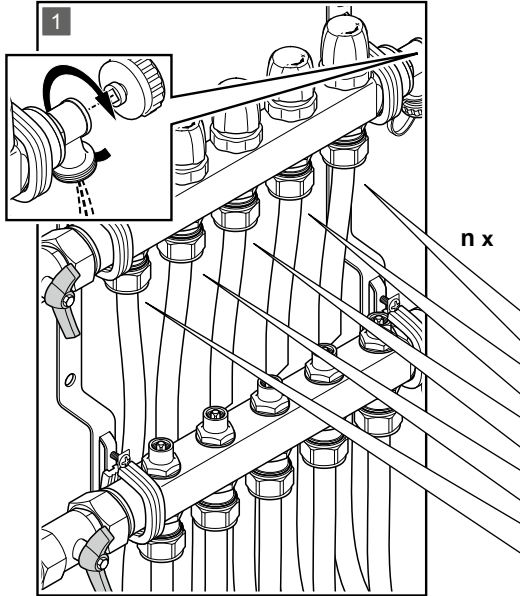


$kvs = 2,83 \text{ m}^3/h$

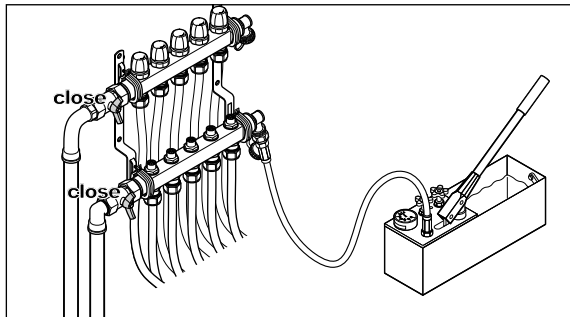
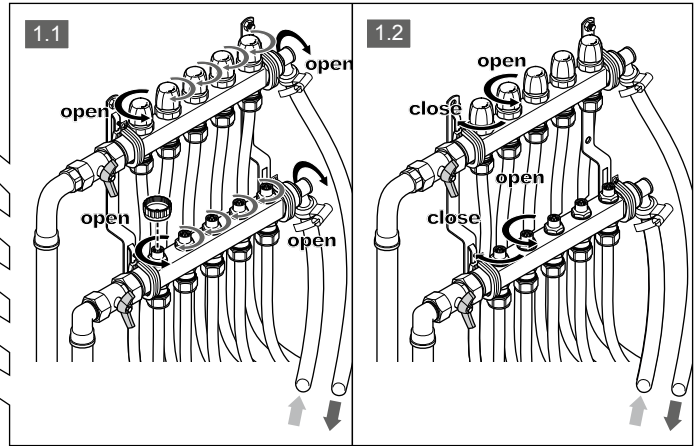


$\dot{V}_{max} = 5 \text{ m}^3/h$   
(12 loops)

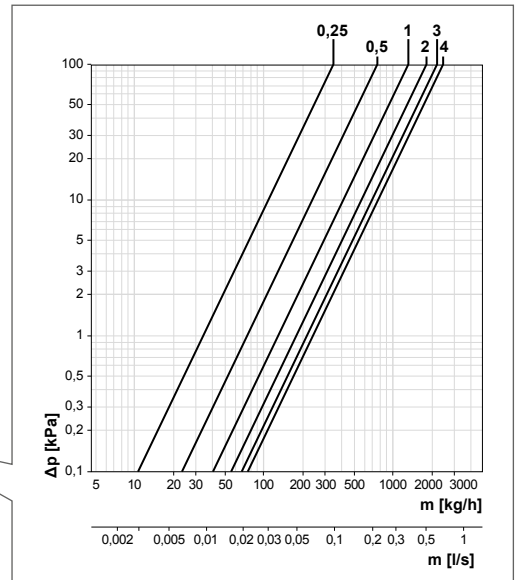
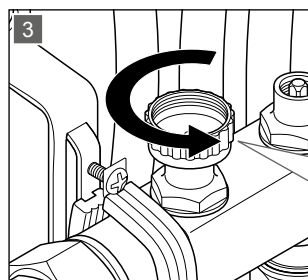
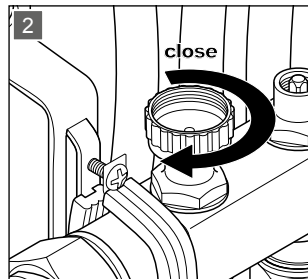
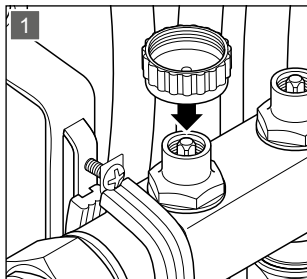




EN 1264



2 h  
P = 4 - 6 bar



## Uponor GmbH

Industriestraße 56,  
D-97437 Hassfurt, Germany

1087992 v5\_10\_2023\_INT  
Production: Uponor / SDE

Uponor reserves the right to make changes, without prior notification, to the specification of incorporated components in line with its policy of continuous improvement and development.



[www.uponor.com](http://www.uponor.com)