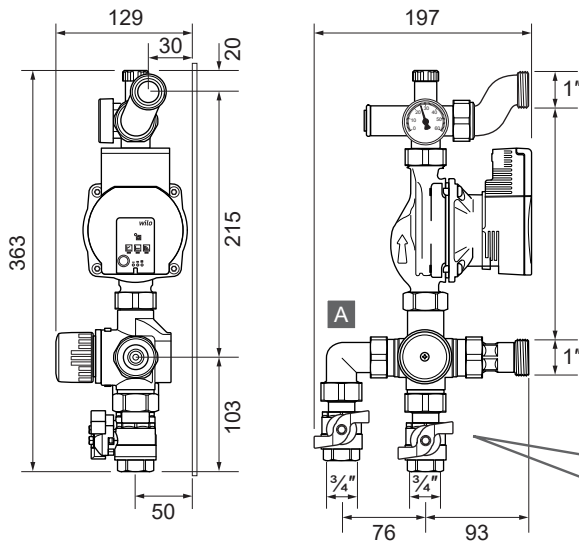
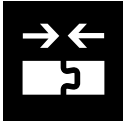
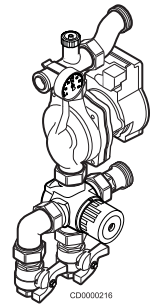


## Uponor Fluvia T Pumpgroup MPG-UK 15 KW



$Q_{max} = 15 \text{ kW}$



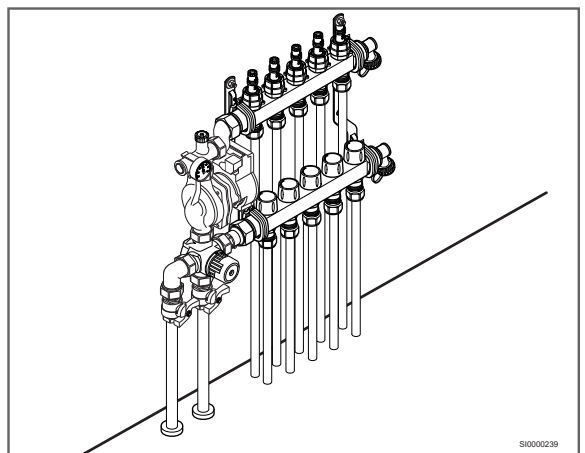
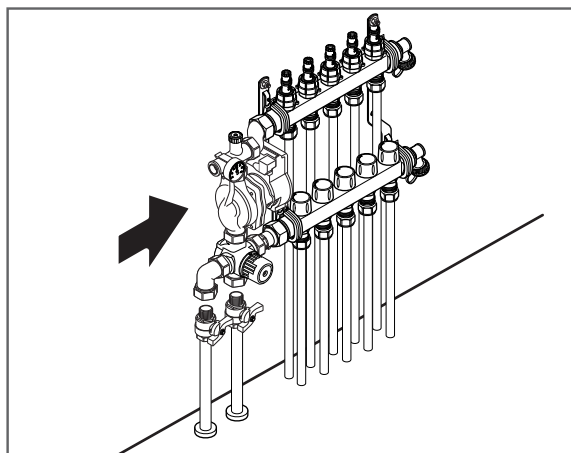
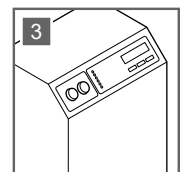
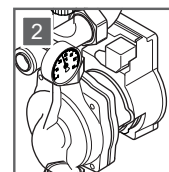
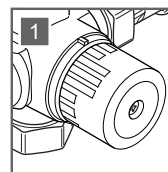
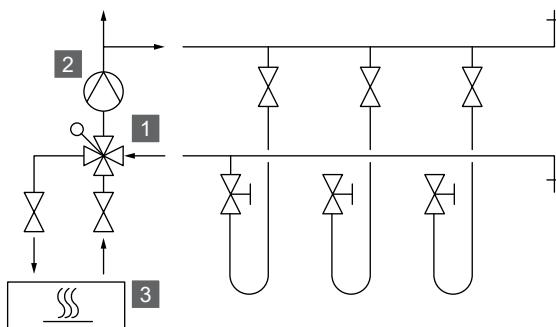
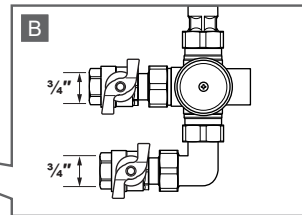
$\theta_{sec} = 15 - 55 \text{ }^\circ\text{C}$

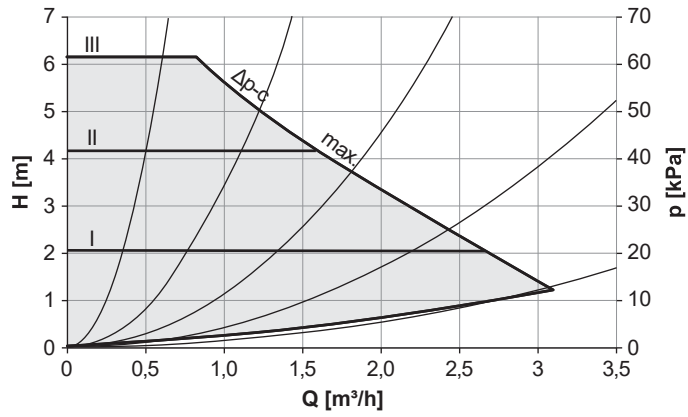
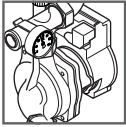
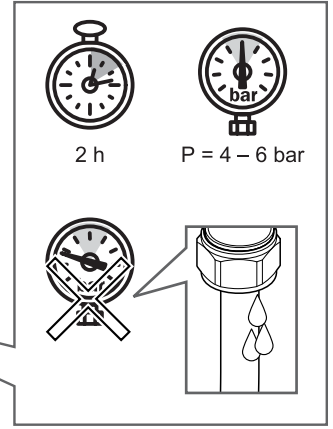
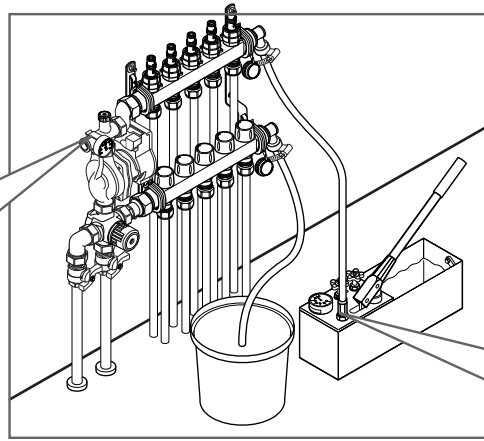
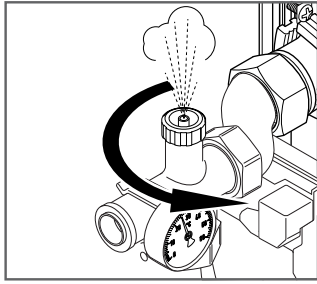


$kv_{sec} = 3,2 \text{ m}^3/\text{h}$

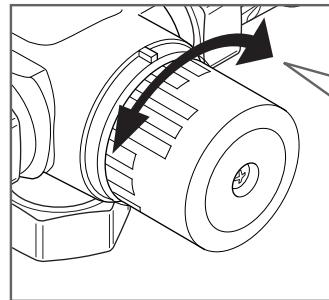
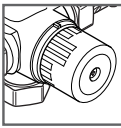
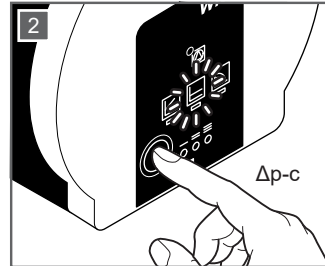
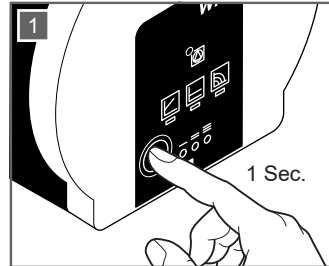


$P_{max} = 10 \text{ bar}$





Δp-c



	θi
Min.	23 °C
1	30 °C
2	35 °C
3	40 °C
4	45 °C
5	50 °C
6	55 °C
7	60 °C
Max.	63 °C

S10000240

## Uponor GmbH

Industriestraße 56,  
D-97437 Hassfurt, Germany

1095147 v3\_01\_2023\_INT  
Production: Uponor/DCO

Uponor reserves the right to make changes, without prior notification, to the specification of incorporated components in line with its policy of continuous improvement and development.



[www.uponor.com](http://www.uponor.com)