

4

3

2

1

F

F

E

E

D

D

C

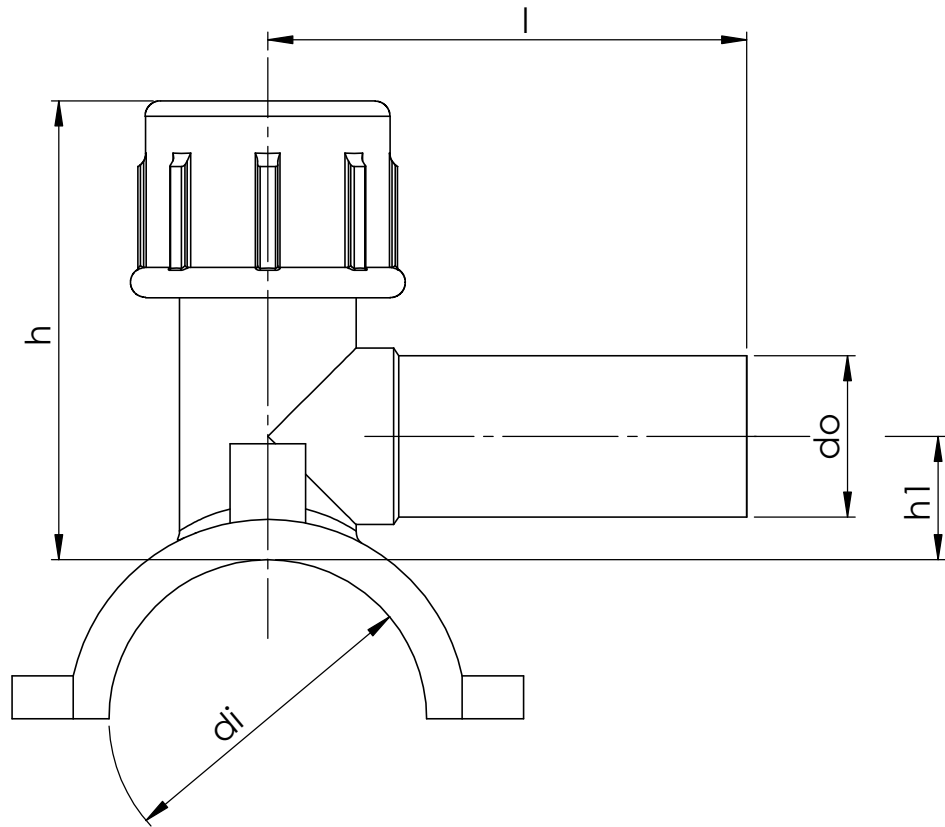
C

B

B

A

A



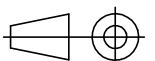
Item	Size	di	do	h	h1	l
1000546	40/32	40	32	91	24	95
1000547	50/32	50	32	91	24	95
1000548	63/32	63	32	91	24	95
1000559	63/63	63	63	155	60	165
1000549	75/32	75	32	94	24	98
1000560	75/63	75	63	152	57	165
1000550	90/32	90	32	94	24	98
1000561	90/63	90	63	152	57	165
1000551	110/32	110	32	94	24	98
1000562	110/63	110	63	210	59	125
1000553	160/32	160	32	97	25	108
1000564	160/63	160	63	182	137	165

Uponor

Description
INFRA
Mounting dimensions
Iplast Pressure EF tapping tee
EF Fittings

Drawing number
Z_Iplast_Pressure_EF_tapping_tee

Sheet: 1/1



4

3

2

1