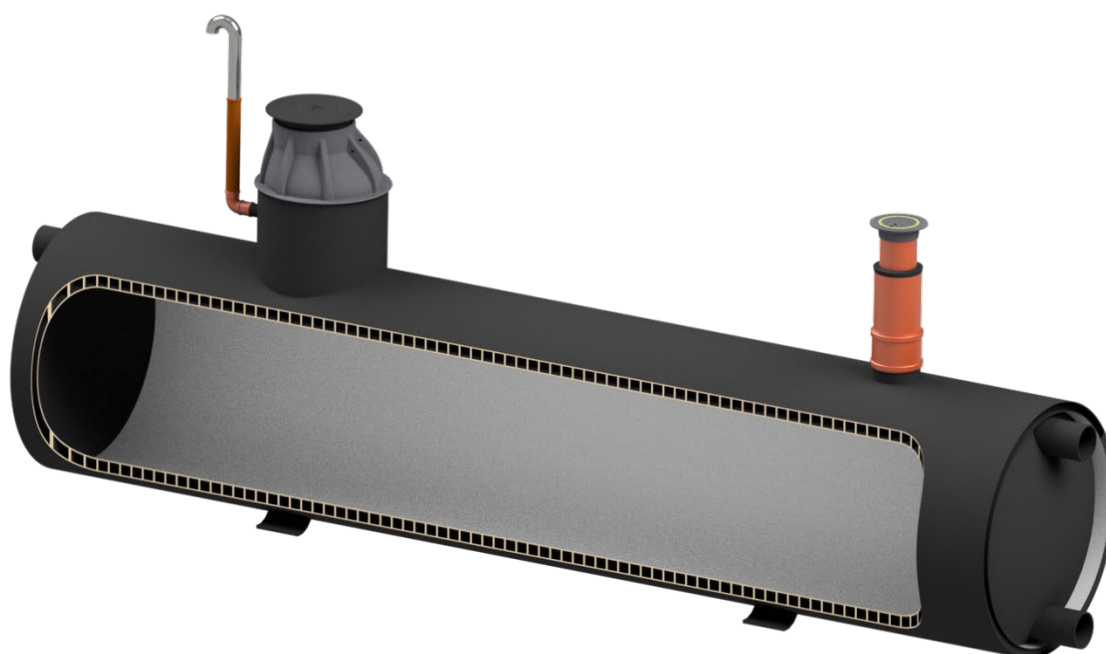




Installation manual

Weholite retention tank



Contents

1. Intended use.....	3
2. Always follow local regulations	3
3. Before installation.....	3
4. Installation.....	3
5. After installation.....	4
6. Service.....	4
7. Technical data.....	4
8. References	4
9. Operation journal.....	5

1. Intended use

A retention tank is used to buffer high up-stream storm water flows, in areas with periodically high run-off flows.

2. Always follow local regulations

This document refers to local regulations for infrastructure, listed below:

- Finland: FI FIL77, Infra RYL
- Sweden: AMA Anläggning
- Denmark: DS430 and DS475
- Norway: NPG

3. Before installation

When receiving the tanks, handle carefully to avoid damage by lifting equipment.

Never unload by tipping. Check each tank for transport damage or product flaws.

Prepare the storage site so that tanks can be placed on an even surface in its whole length.

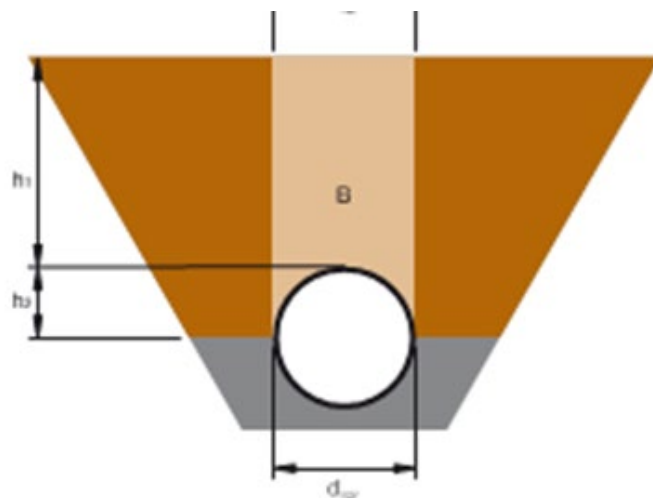
4. Installation

1. Dig the pit to correct depth taking traffic load conditions into consideration.

Top fill is, at the minimum, 30cm top fill in green area and 80cm in traffic load areas for SN8.

2. Prepare the pit with 20cm of bottom layer gravel at the minimum.

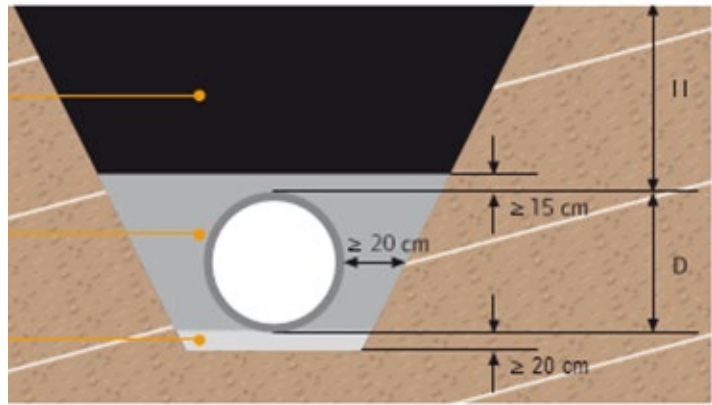
3. Install pipe connections.



4. Make arrangements to prevent uplifting. Uponor can provide calculation of needed anchoring.

5. Fill the pit with gravel. Compact in layers up to the top according to local regulations.

To prevent sinking, take special care to ensure proper compaction of the backfill material beneath the pipe–chamber joints.



5. After installation

Make sure that all connections are tight. Keep a lid on the manholes and make sure that no unauthorized persons can enter the tank, by locking the lid.

6. Service

Check the tanks after each larger rain event to make sure that no debris is blocking the outlet. Eventual sediment on bottom of tank should be emptied.

7. Technical data

Drawings are provided with the tank when ordering.

8. References

The following documentation is available at www.uponor.com for your reference.

- Uponor Infrastructure Solutions – Technical Handbook

Moving > Water

uponor

Uponor Corporation

Ilmalantori 4

00240 Helsinki

Finland

T +358 (0)20 129 211

F + 358 (0)20 129 2841

www.uponor.com